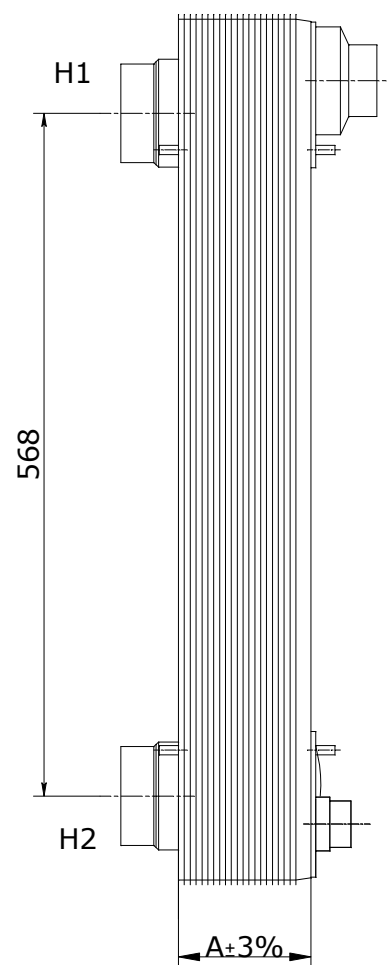
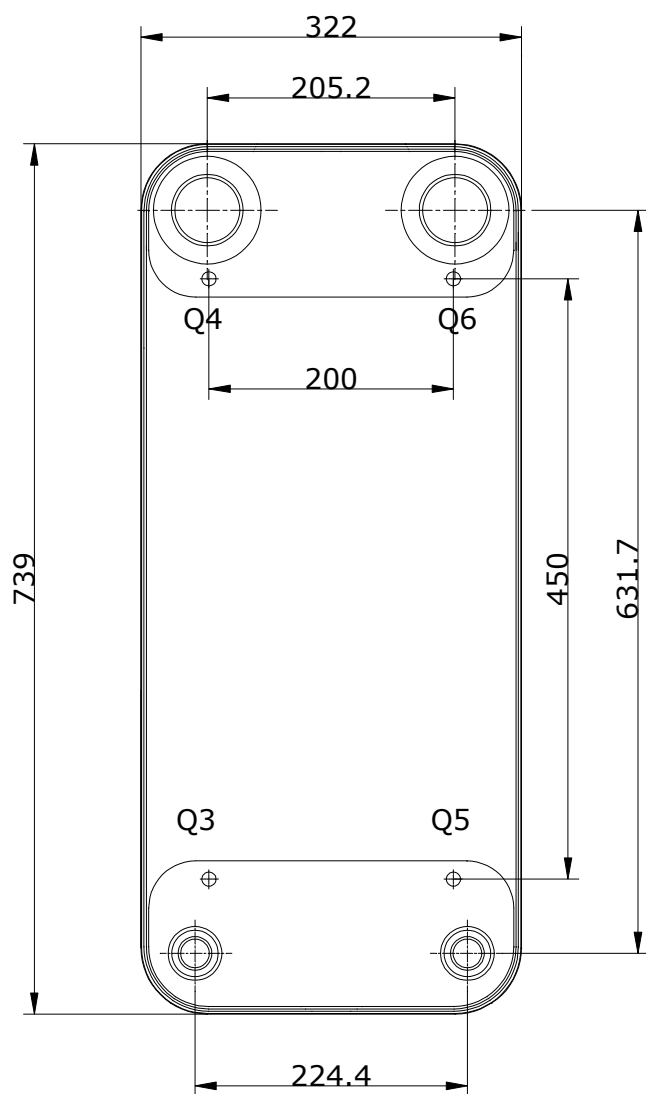
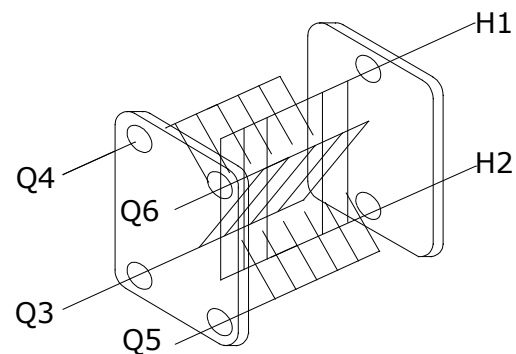
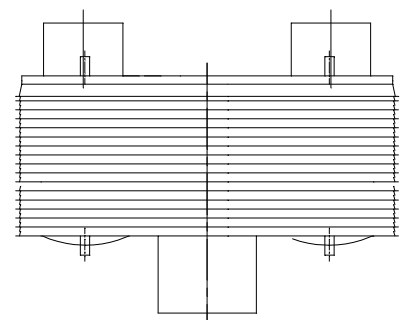


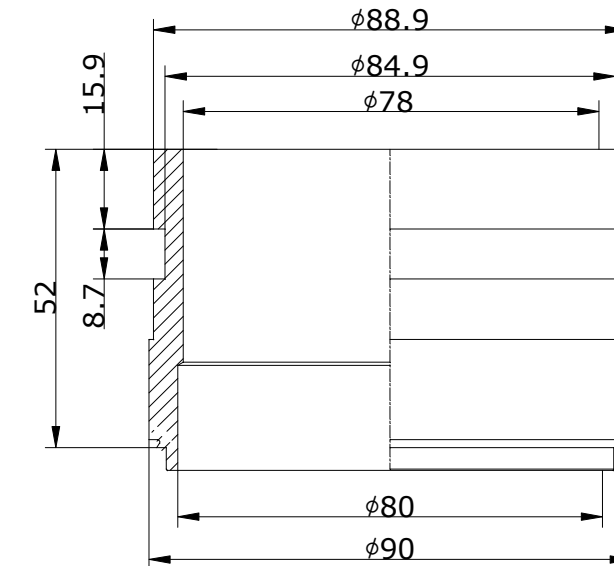
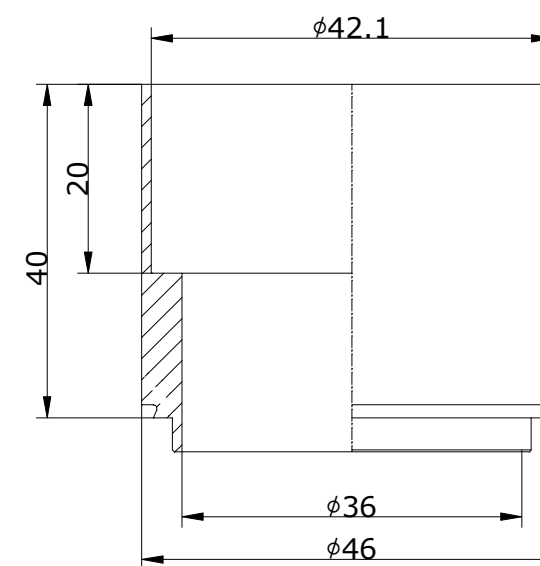
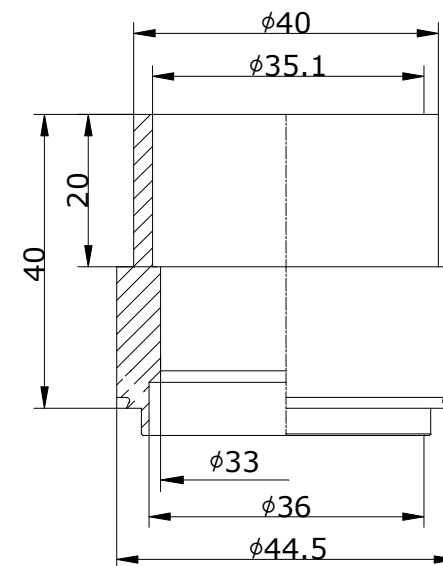
CONTROLLED



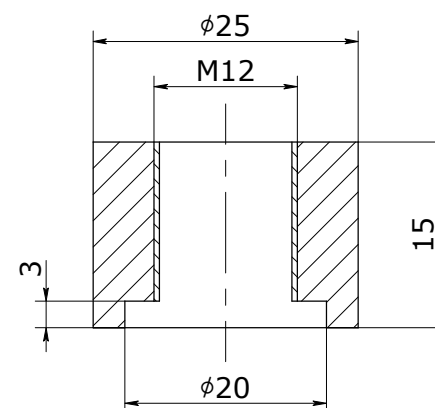
Q3-Q5
H1"3/8(H4138)
Solder connection

Q4-Q6
H1"5/8(H4152)
Solder connection

H1-H2
T88,9(LJ830)
Victaulic connectoin



Nuts for mounting bolts



Note: 8-M12x40 bolts

ID	RIDAN Code	Drawing No.	Model	Plates(n)	A	Weight	Volume
1	111B0309R	23021362-01	210	66	180	63.334Kg	Q3Q5Q4Q6:8L/H1H2:16.5L
2	111B0310R	23021362-02	210	82	222	75.238Kg	Q3Q5Q4Q6:10L/H1H2:20.5L
3	111B0312R	23021362-03	210	94	253	84.166Kg	Q3Q5Q4Q6:11.5L/H1H2:23.5L

DESIGN DATA	
DESIGN PRESSURE	4.5MPa
TEST PRESSURE	6.75MPa
DESIGN TEMPERATURE	-196/+225
LEAKAGE TEST	Helium Test
PLATE MATERIAL	316L
PIPE MATERIAL	304
FRAME MATERIAL	304

Assembly drawing	DEPARTMENT	Sales Department	DATE	2024/08/28	SCALE		
	DESIGNER	JLN	INSPECTOR	ZJF			
	APPROVAL	FL	DRAWING NO.	23021362	REV.	0	
	DESIGNATION: RD-210-n-4,5-HDQ-Q3Q5 (H1"3/8)/Q4Q6(H1"5/8)/H1H2(T88,9)/8-M12x40						