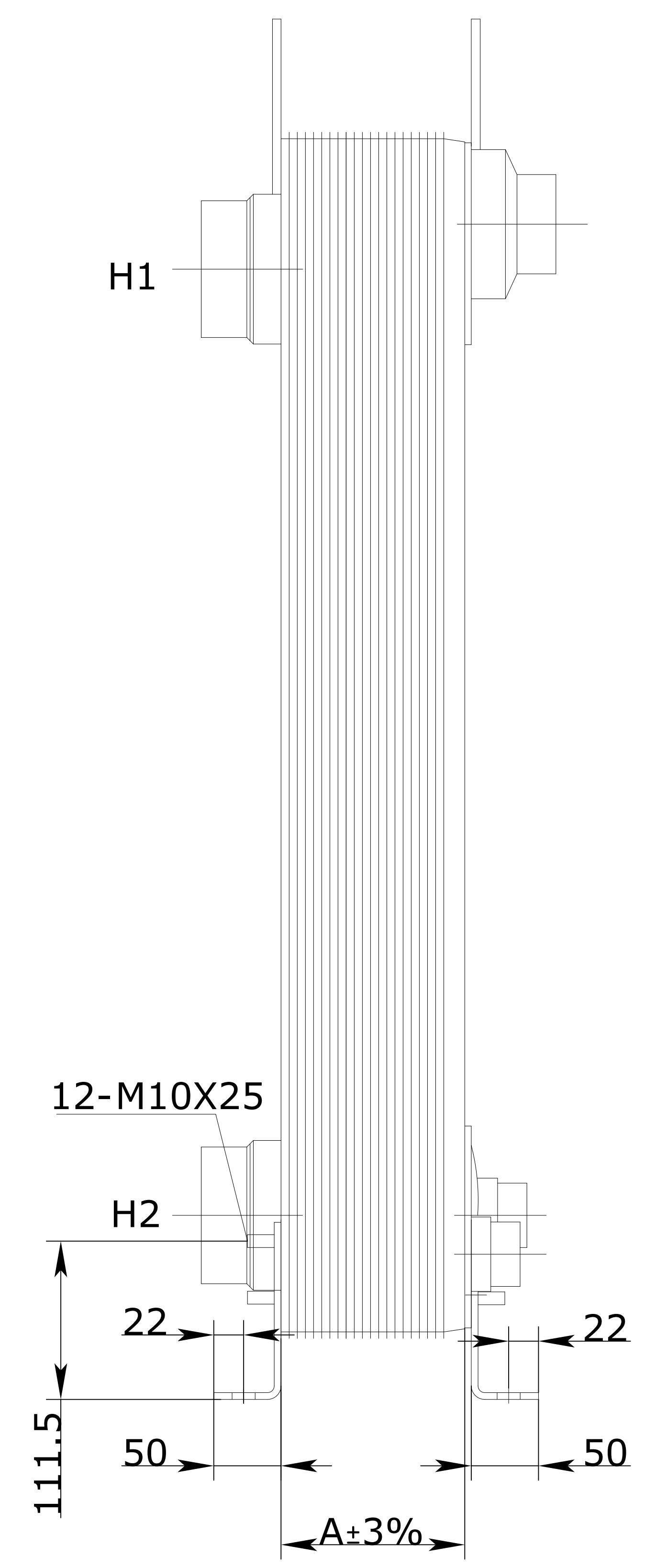
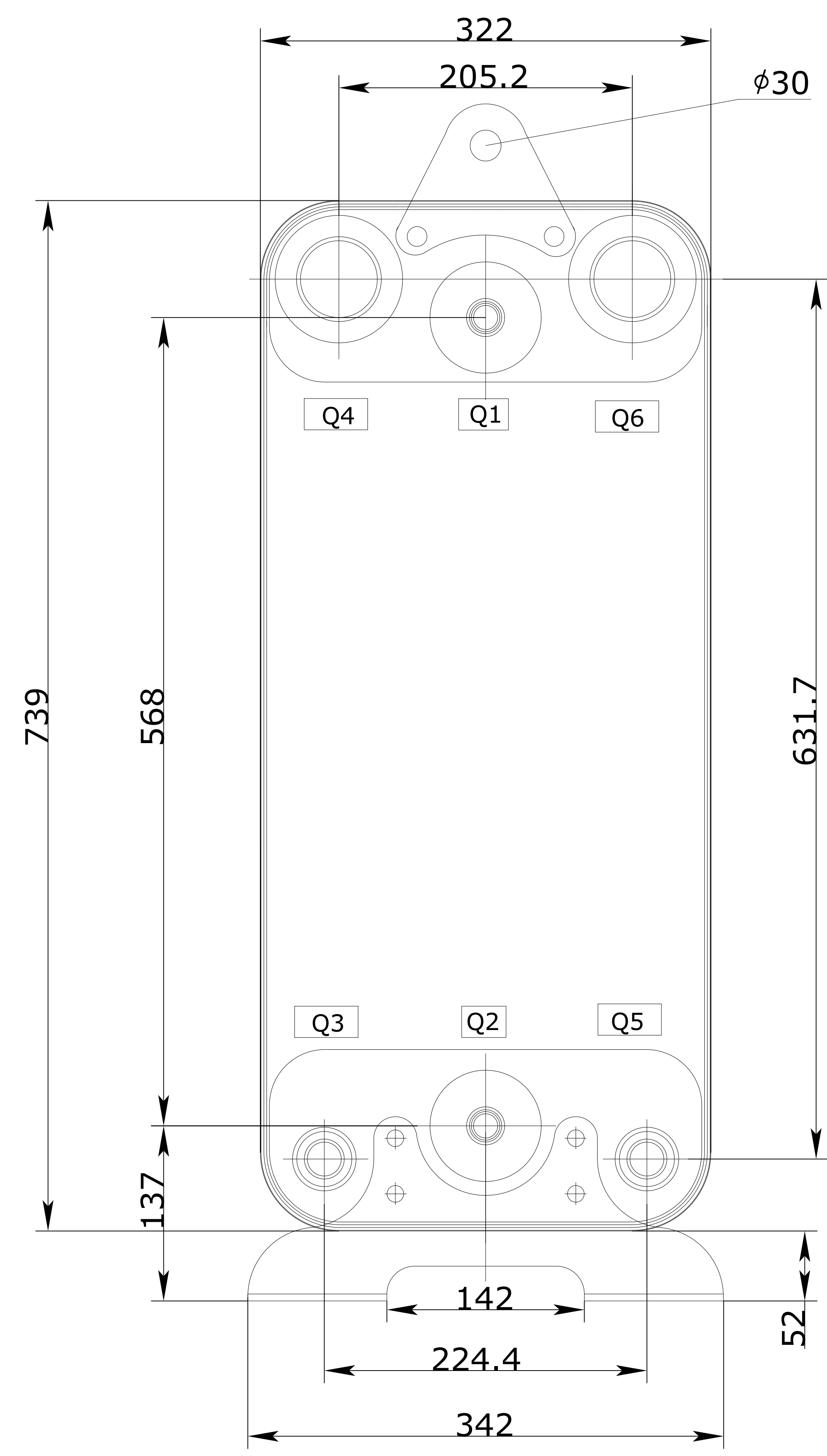
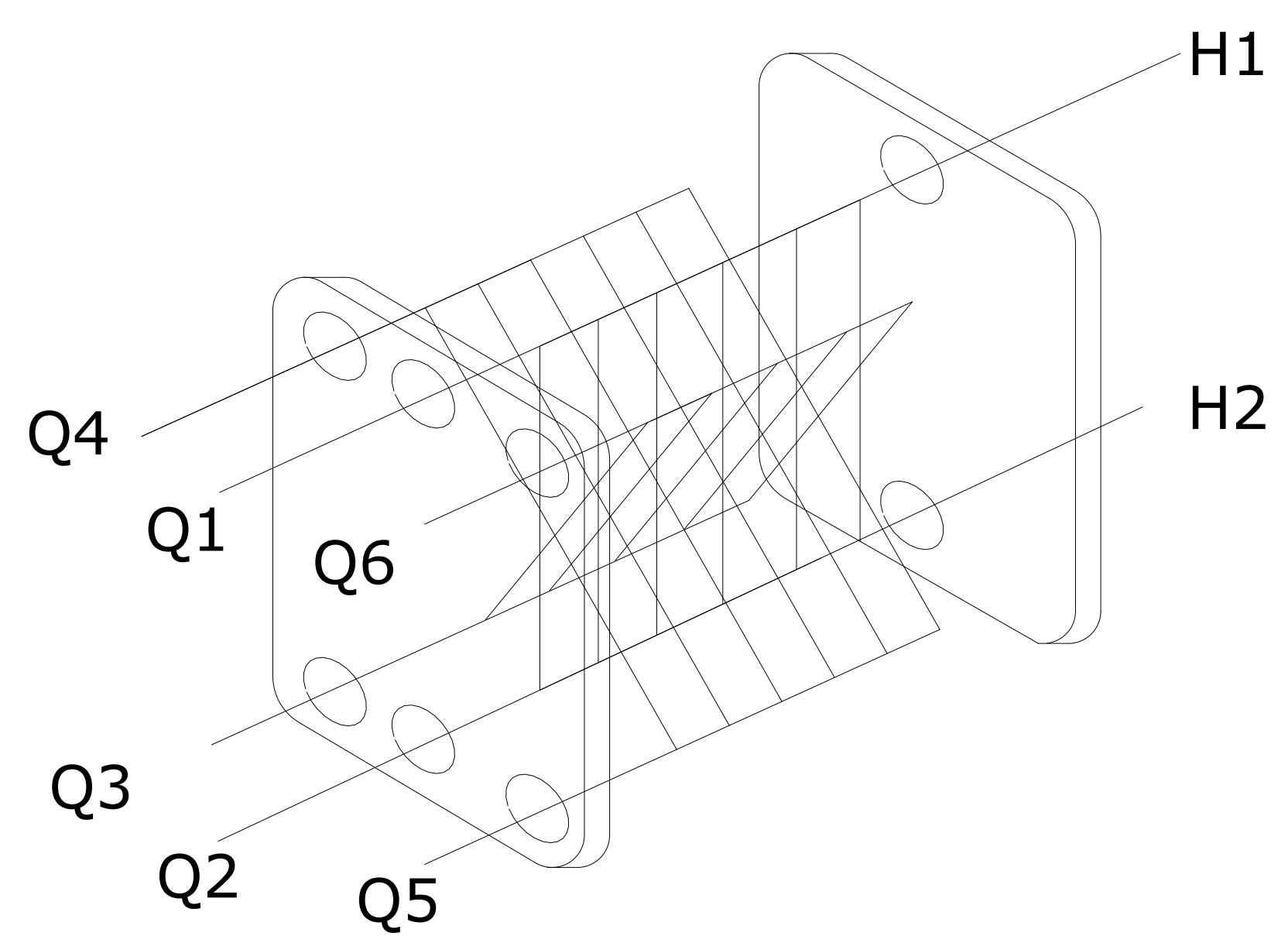
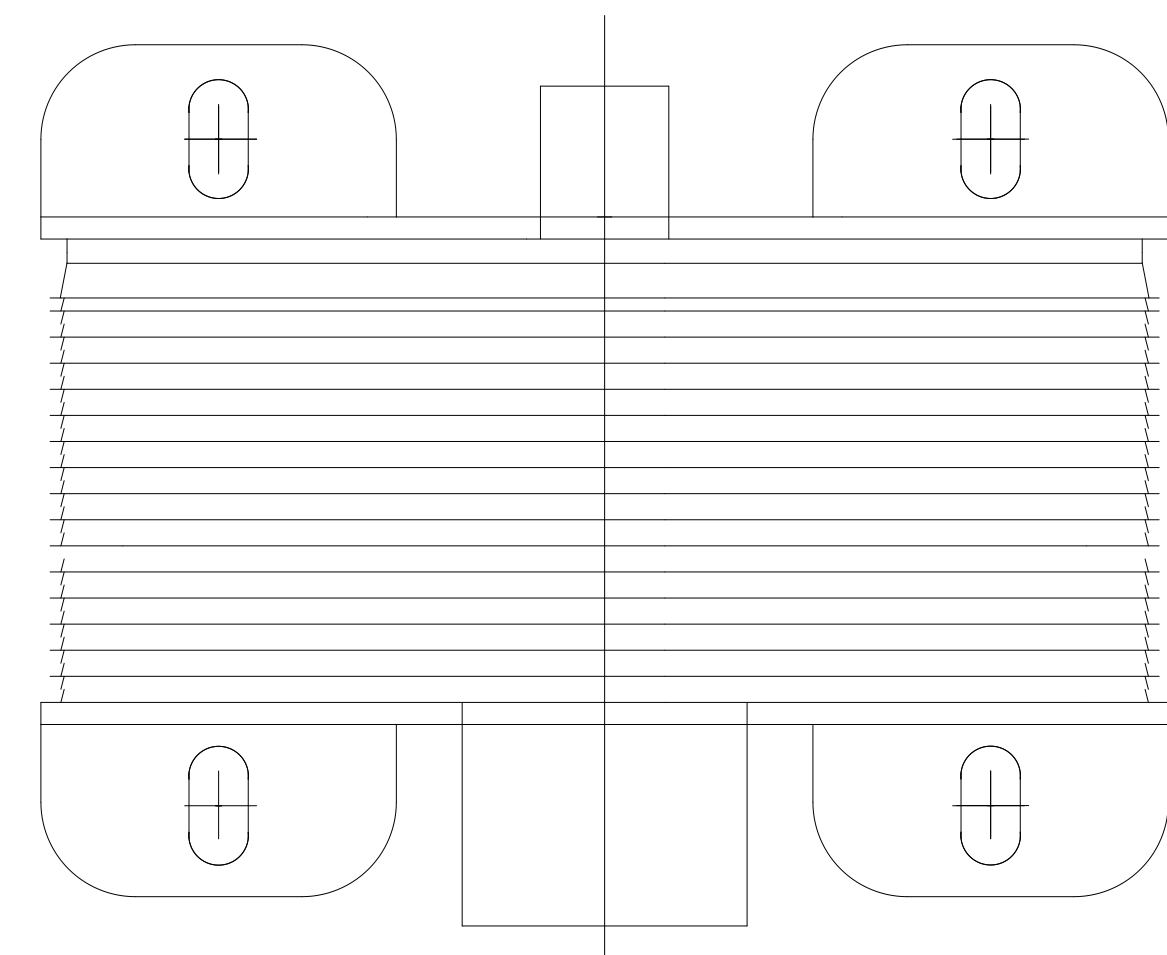
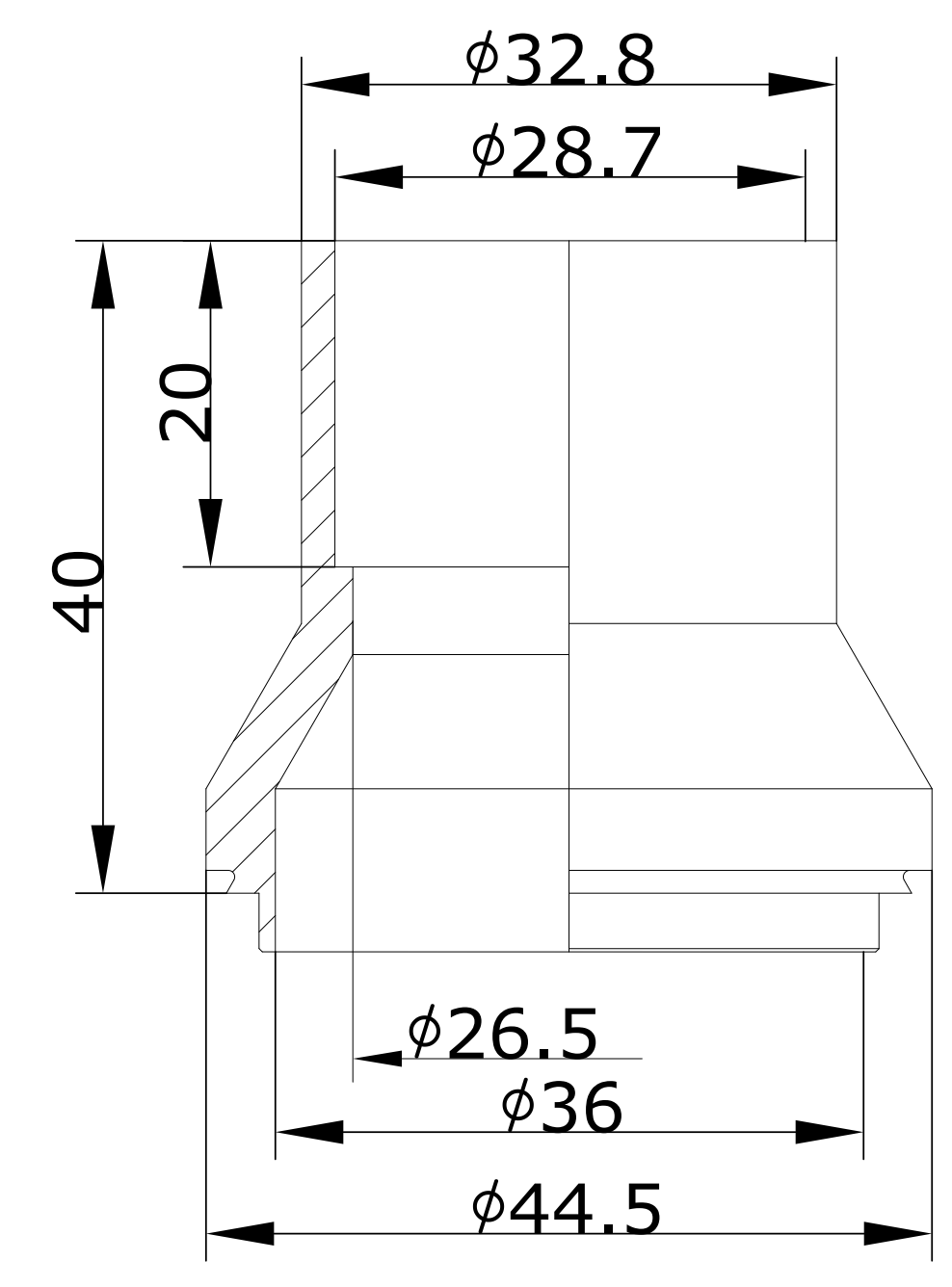


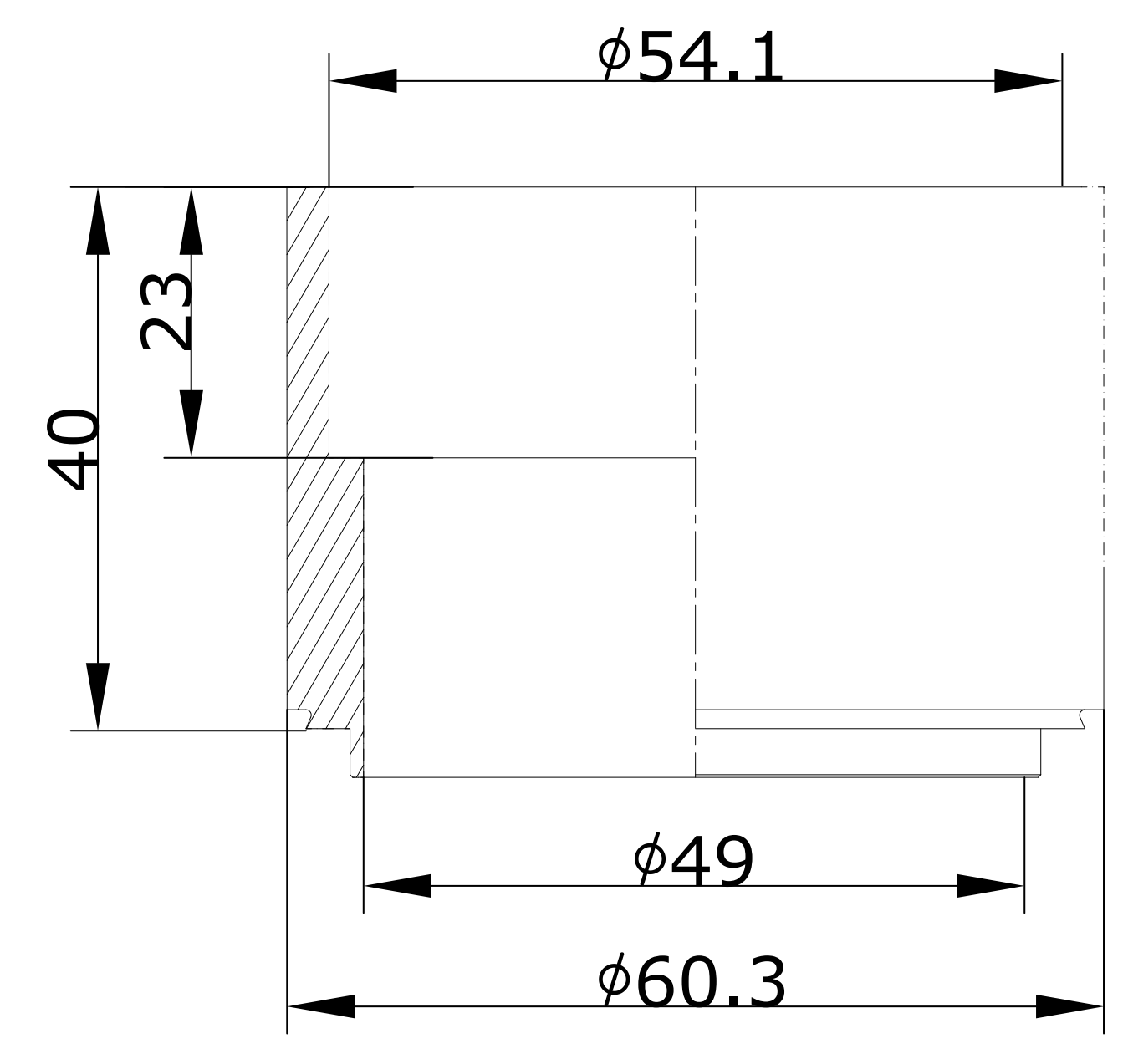
CONTROLLED



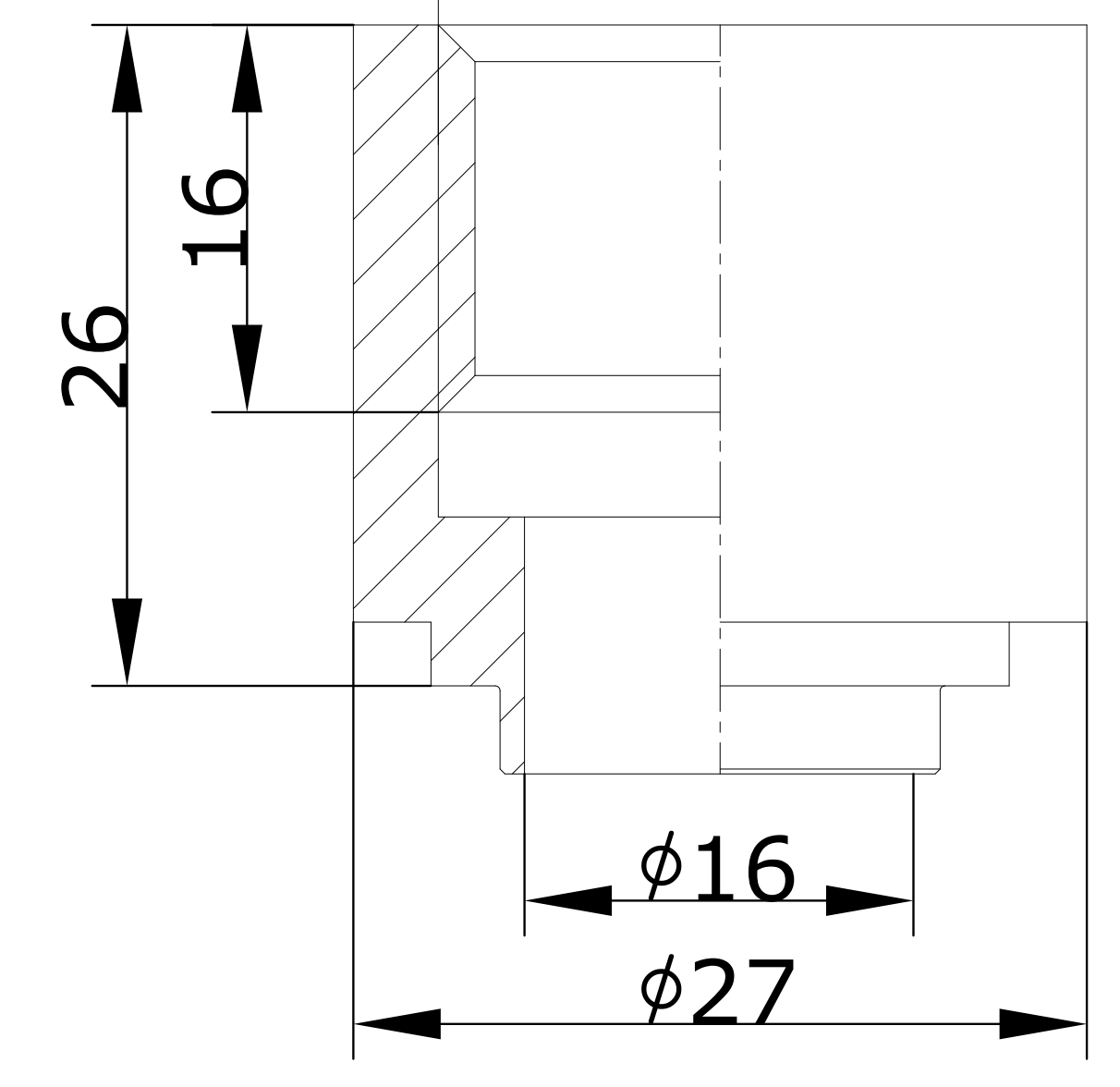
Q3-Q5
H1"1/8"(H4114)
Welded connection



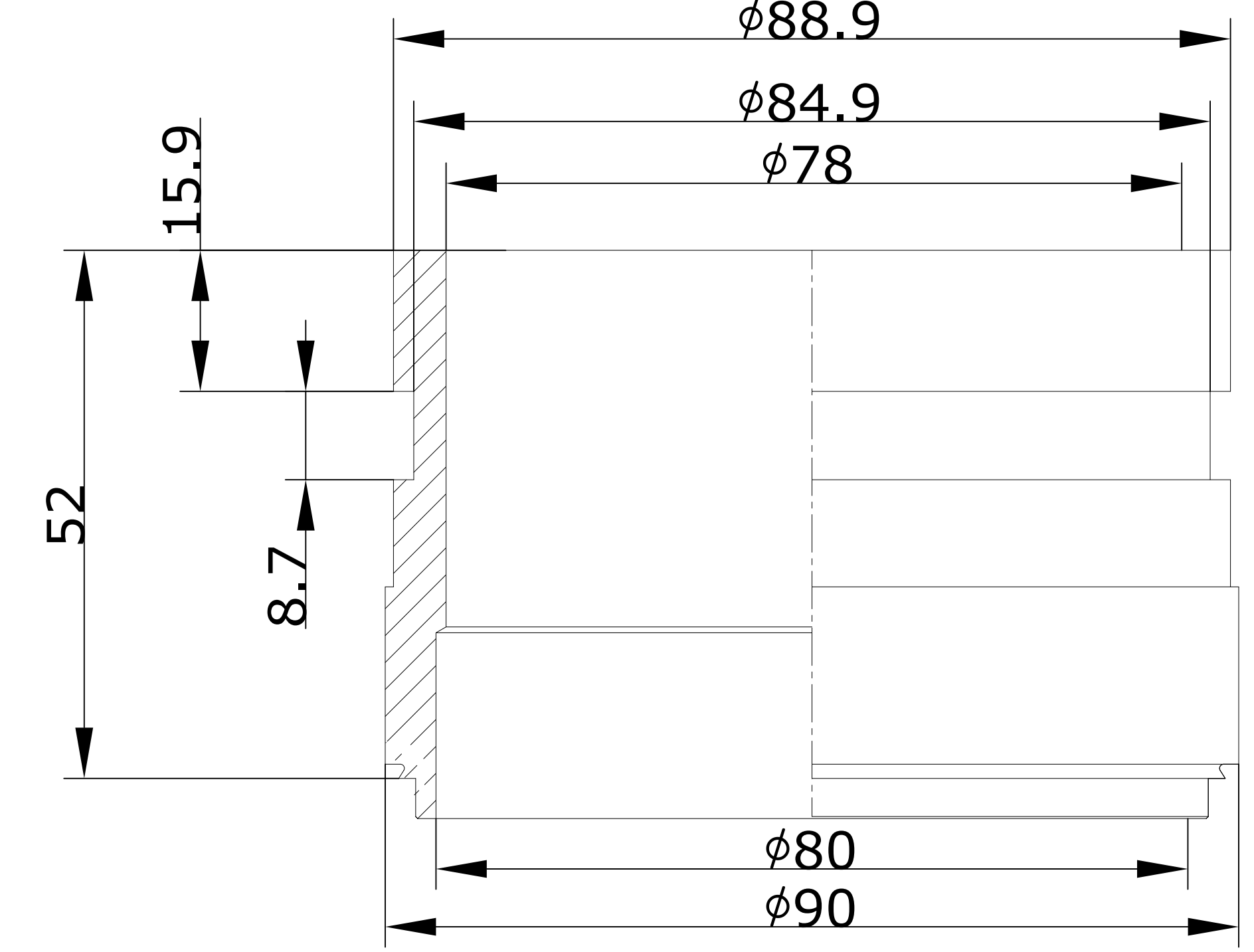
Q4-Q6
H2"1/8(H5212)
Welded connection



Q1-Q2
N1/2(N104)
Thread connection
ISO228/1- G1/2"



H1-H2
H3"1/8"(LJ830)
Victaulic connection



ID	RIDAN Code	Drawing No.	Model	Plates(n)	A
1	111B0383R	23020331	210	70	191

DESIGN DATA	
DESIGN PRESSURE	3.0MPa
TEST PRESSURE	4.5MPa
DESIGN TEMPERATURE	-196/+225
LEAKAGE TEST	Helium Test
WEIGHT	66.733Kg
VOLUM	H1H2: 17.5L
	Q3Q5/Q4Q6: 8.5L
PLATE MATERIAL	316L
PIPE MATERIAL	304
FRAME MATERIAL	304

Assembly drawing	DEPARTMENT	Sales Department	DATE	2024/10/17	SCALE		
	DESIGNER	JLN					
	INSPECTOR	ZJF					
	APPROVAL						
DRAWING NO. 23020331							REV 1

RD-210-70-3,0-HDQ-
DESIGNATION: H1H2(H3"1/8)/Q4Q6(H2"1/8)/
Q3Q5(H1"1/8)/Q1Q2(N1/2)