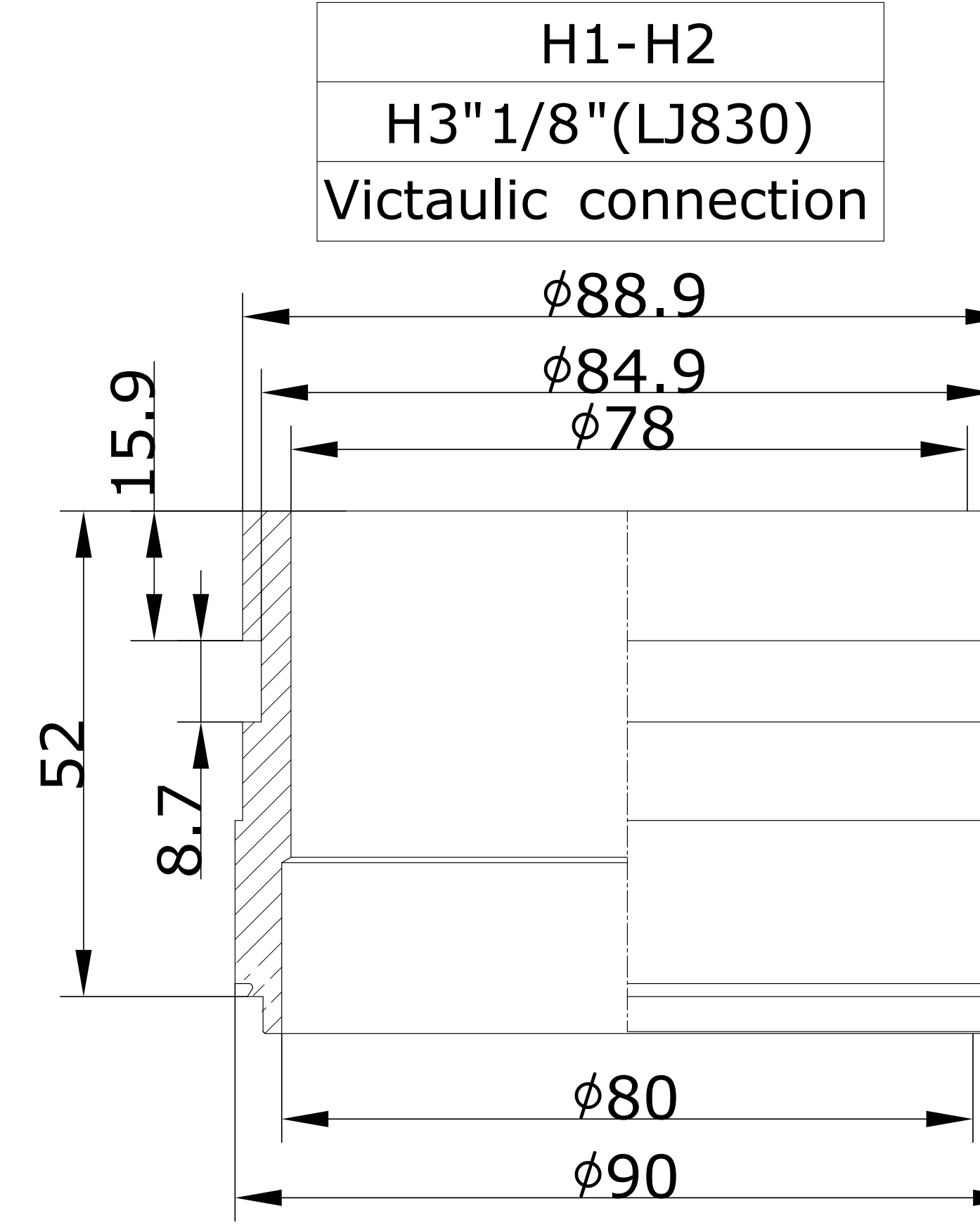
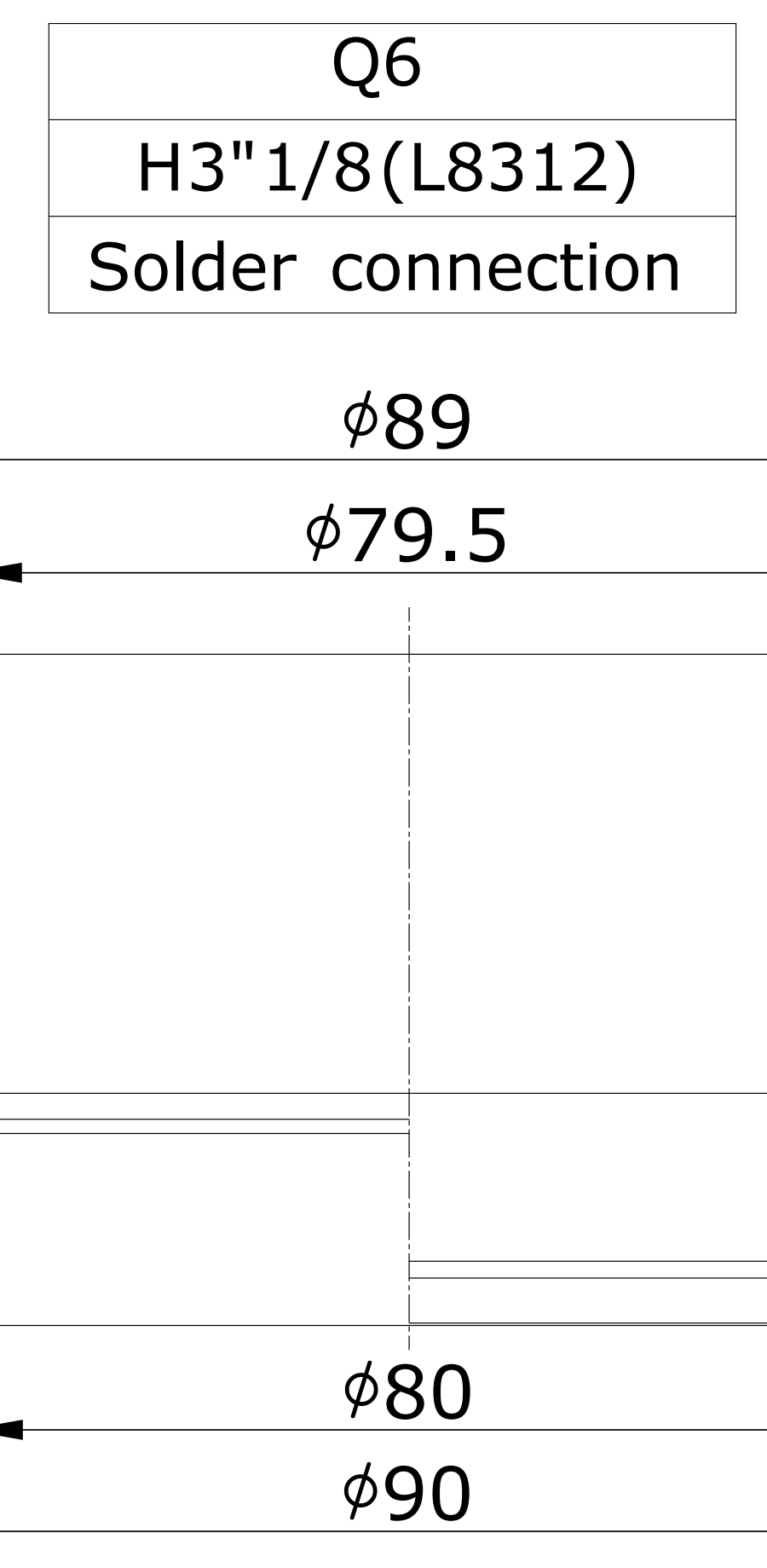
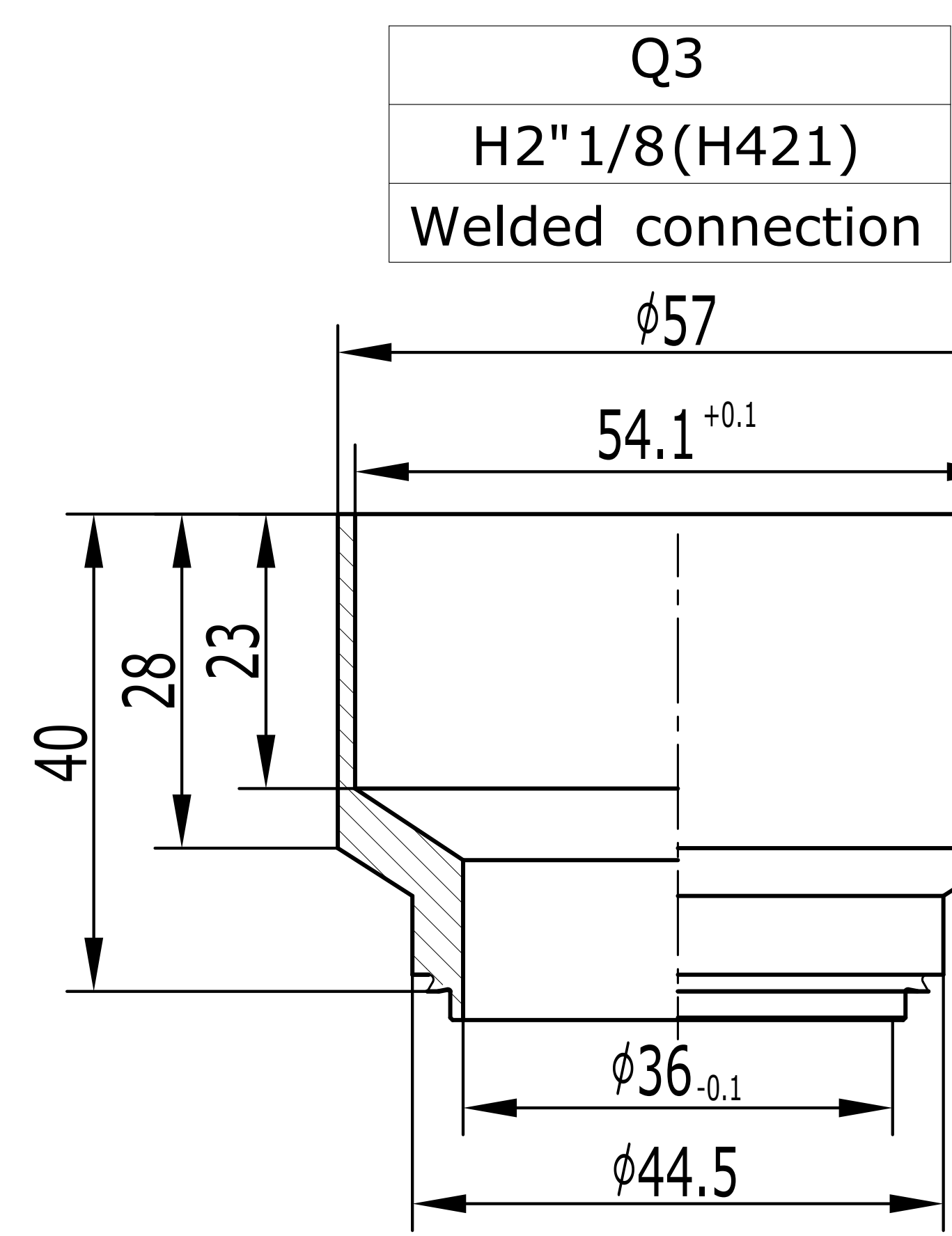
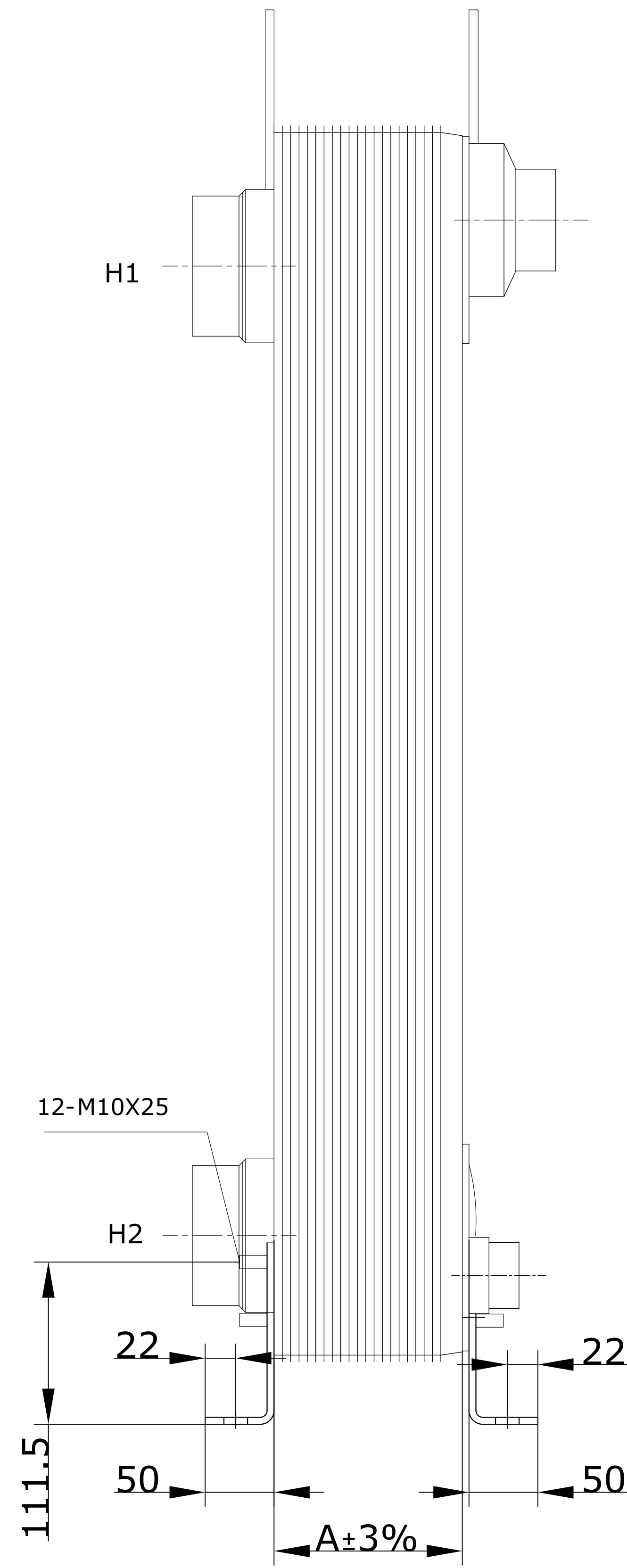
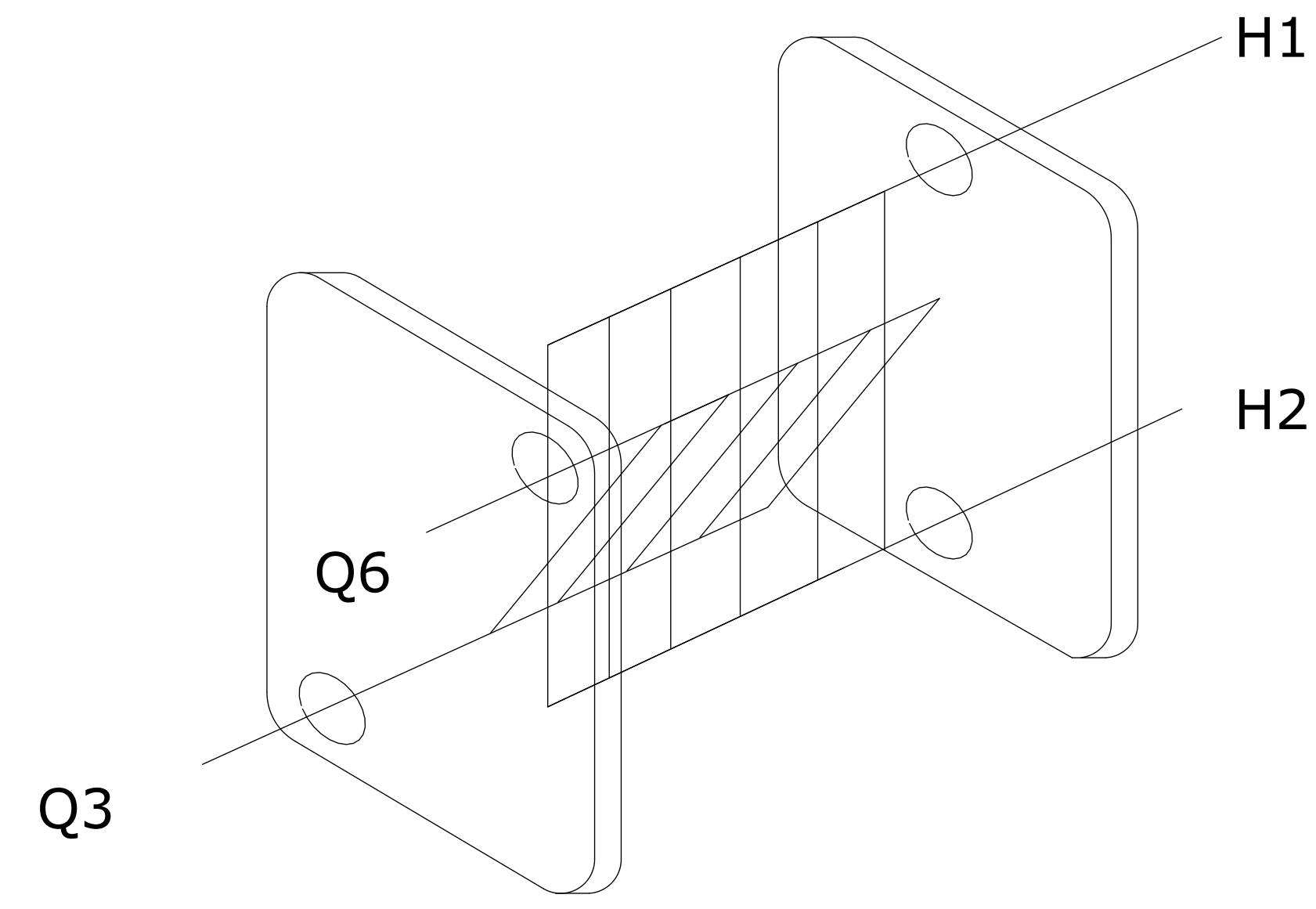
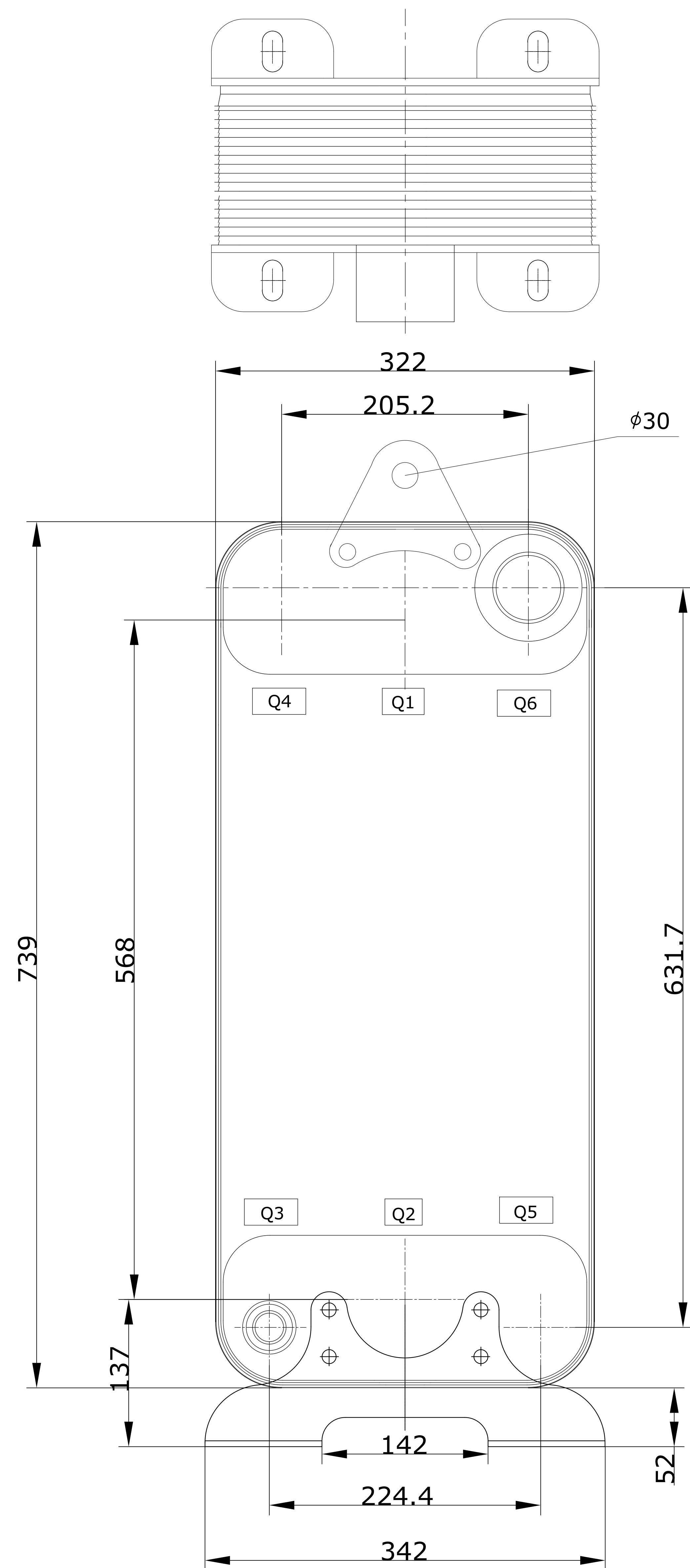


CONTROLLED



ID	RIDAN Code	Drawing No.	Model	Plates(n)	A
1	111B0379R	23020333	210	80	217

		DESIGN DATA			
DESIGN PRESSURE		4.5MPa			
TEST PRESSURE		6.75MPa			
DESIGN TEMPERATURE		-196/+225			
LEAKAGE TEST		Helium Test			
WEIGHT		74Kg			
VOLUM		H1H2: 20.0L			
		Q3Q6: 19.5L			
PLATE MATERIAL		316L			
PIPE MATERIAL		304			
FRAME MATERIAL		304			
Assembly drawing	DEPARTMENT	Sales Department	DATE	SCALE	
	DESIGNER	JLN	2024/10/17		
	INSPECTOR	ZJF		DRAWING NO.	
	APPROVAL				
DESIGNATION: RD-210-80-4,5-HQ-H1H2(L3)/Q3(H2"1/8)/Q6(H3"1/8)/12- M10*25					REV 1
23020333					