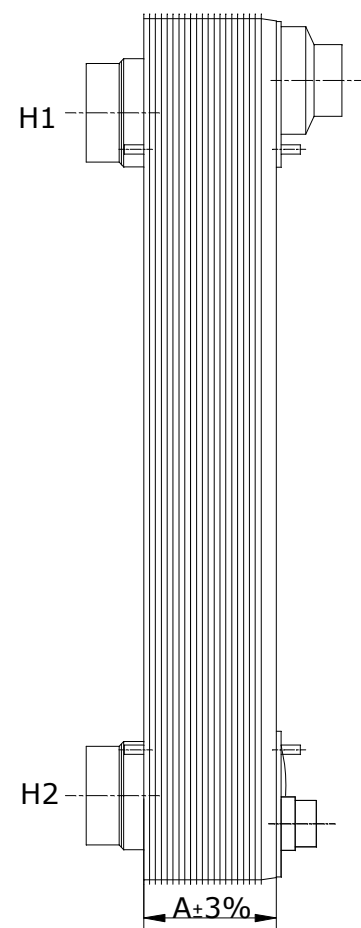
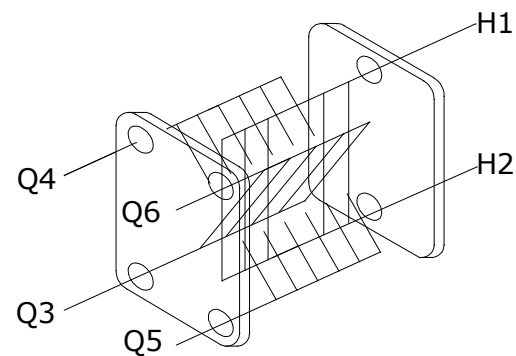
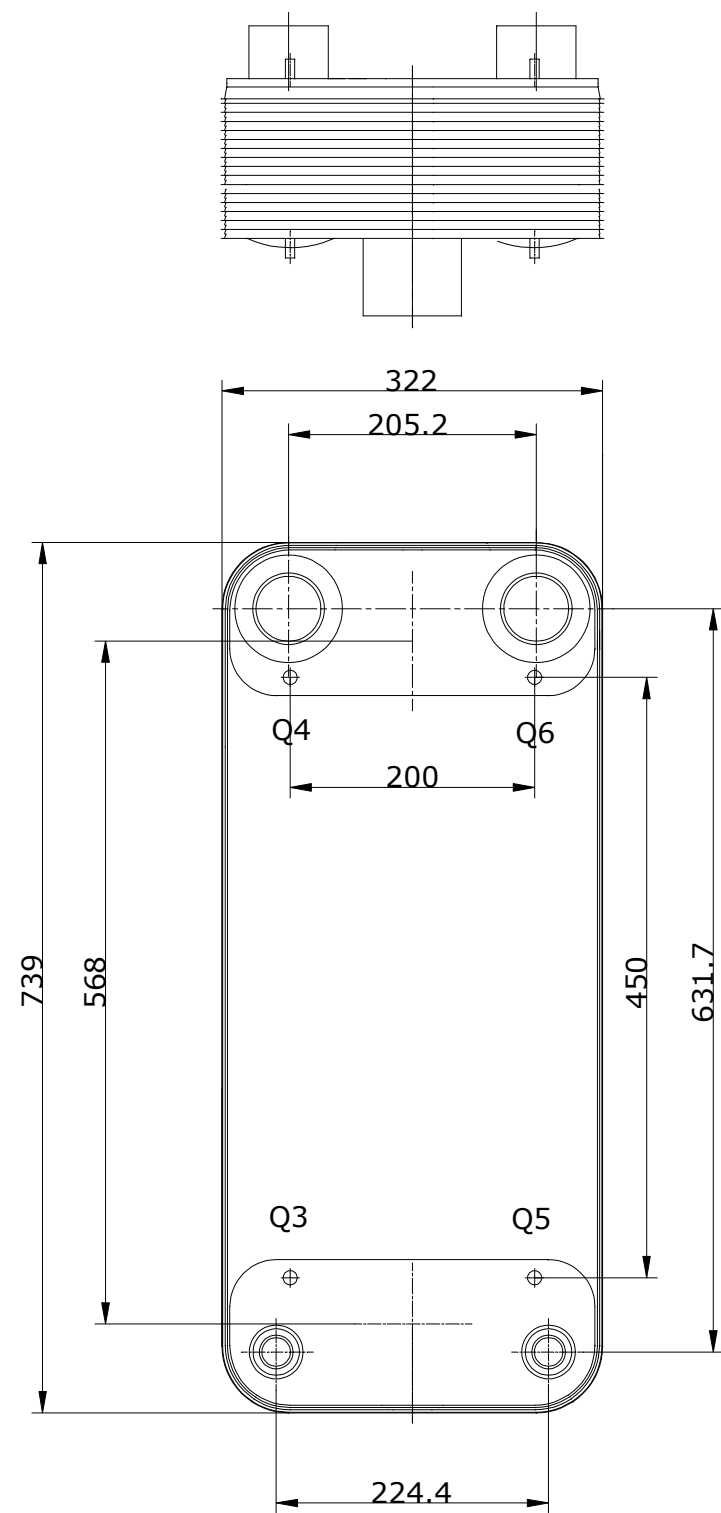
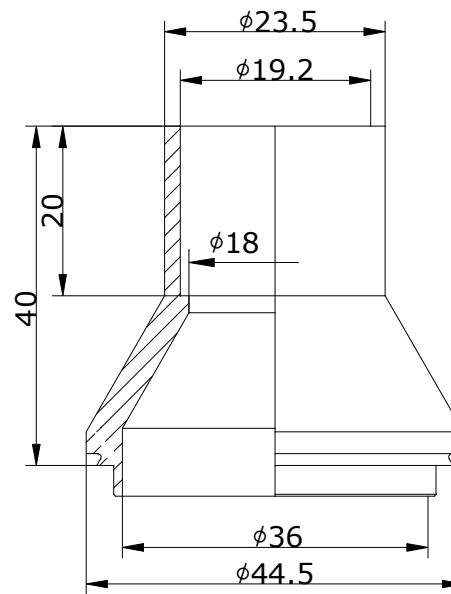


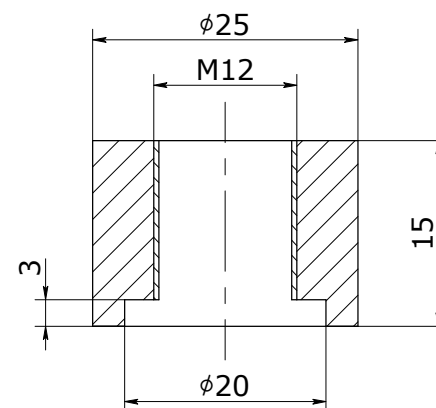
CONTROLLED



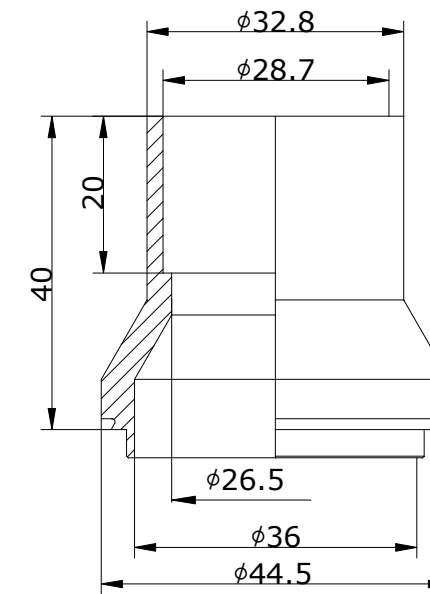
Q3-Q5
H3/4"(H406)
Solder connection



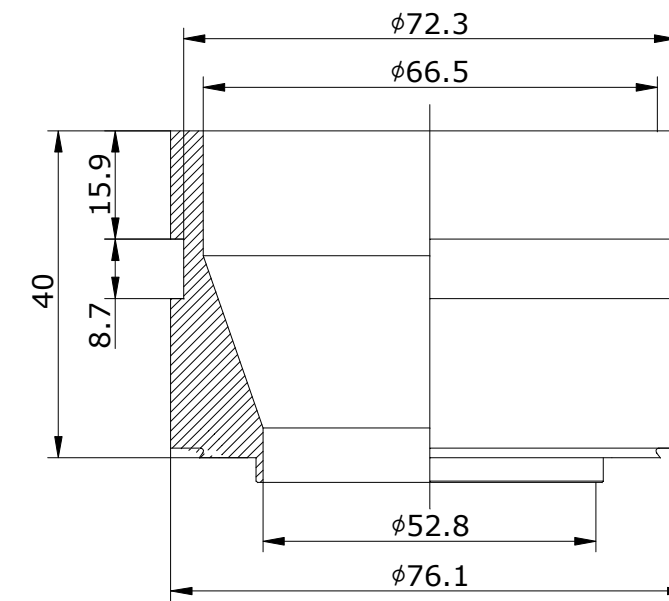
Nuts for mounting bolts



Q4-Q6
H1"1/8(H4114)
Solder connection



H1-H2
T72.3(J624)
Victaulic connectoin



Note: 8-M12X40 bolts

ID	RIDAN Code	Drawing No.	Model	Plates(n)	A	Weight	Volume
1	111B0311R	23021363	210	90	243	81.19Kg	Q3Q5Q4Q6:11L/H1H2:22.5L

DESIGN DATA	
DESIGN PRESSURE	4.5MPa
TEST PRESSURE	6.75MPa
DESIGN TEMPERATURE	-196/+225
LEAKAGE TEST	Helium Test
PLATE MATERIAL	316L
PIPE MATERIAL	304
FRAME MATERIAL	304

Assembly drawing	DEPARTMENT	Sales Department	DATE	2024/11/07	SCALE		
	DESIGNER						
	INSPECTOR						
	APPROVAL						
DESIGNATION:		RD-210-90-4,5-HDQ-Q3Q5 (H3/4")/Q4Q6(H1"1/8)/H1H2(T72,3)/8-M12x40		DRAWING NO.	23021363	REV.	4