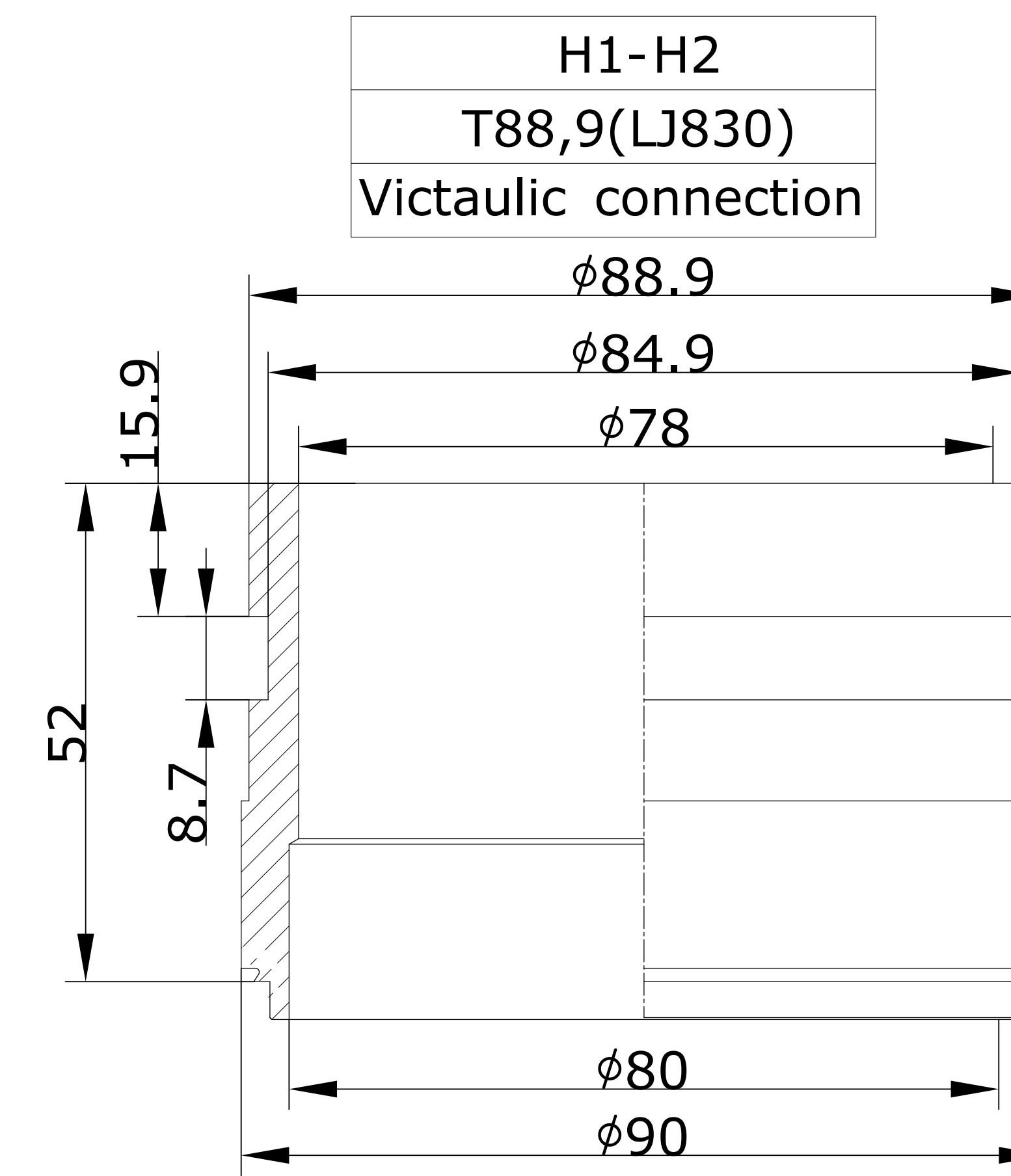
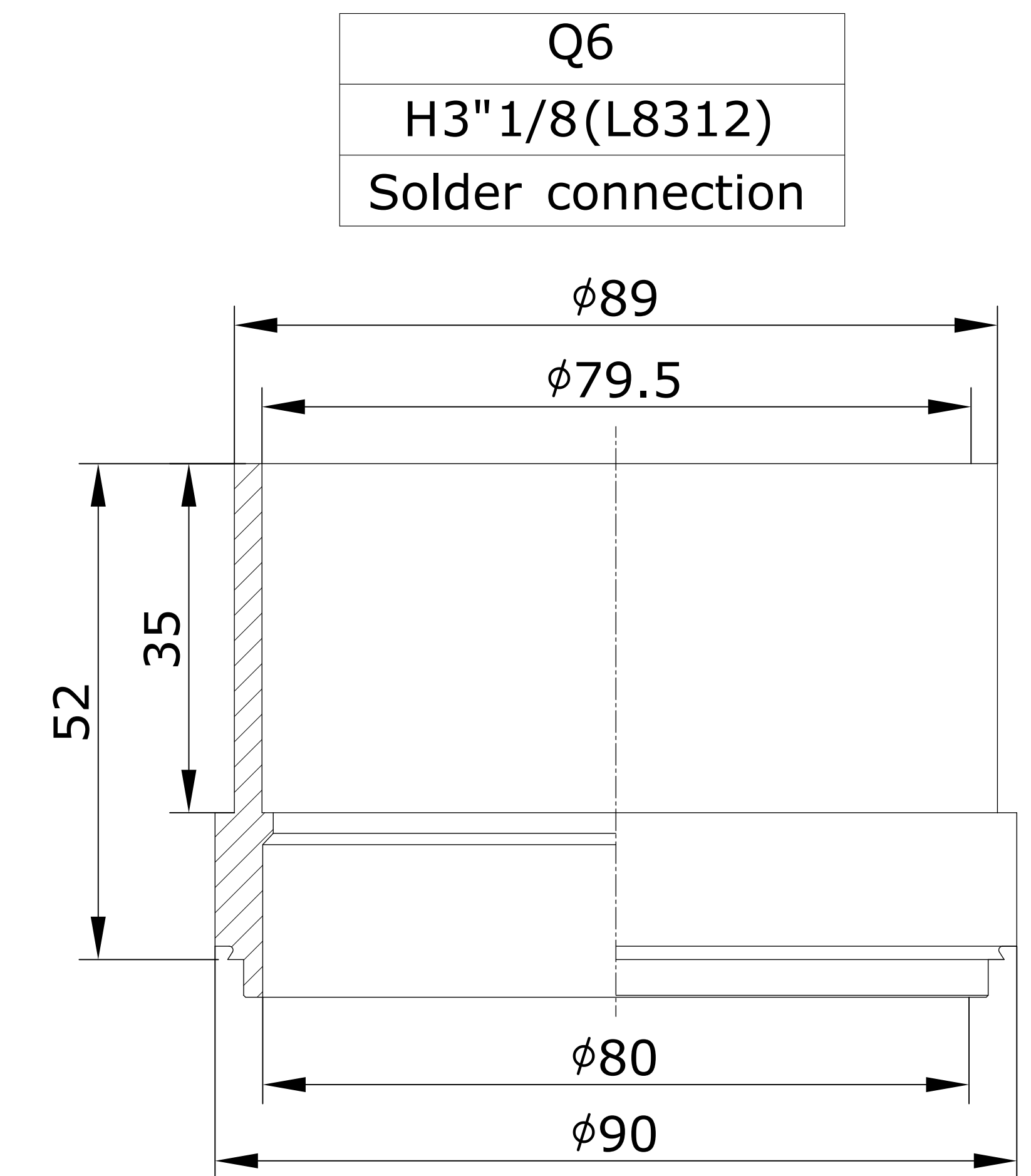
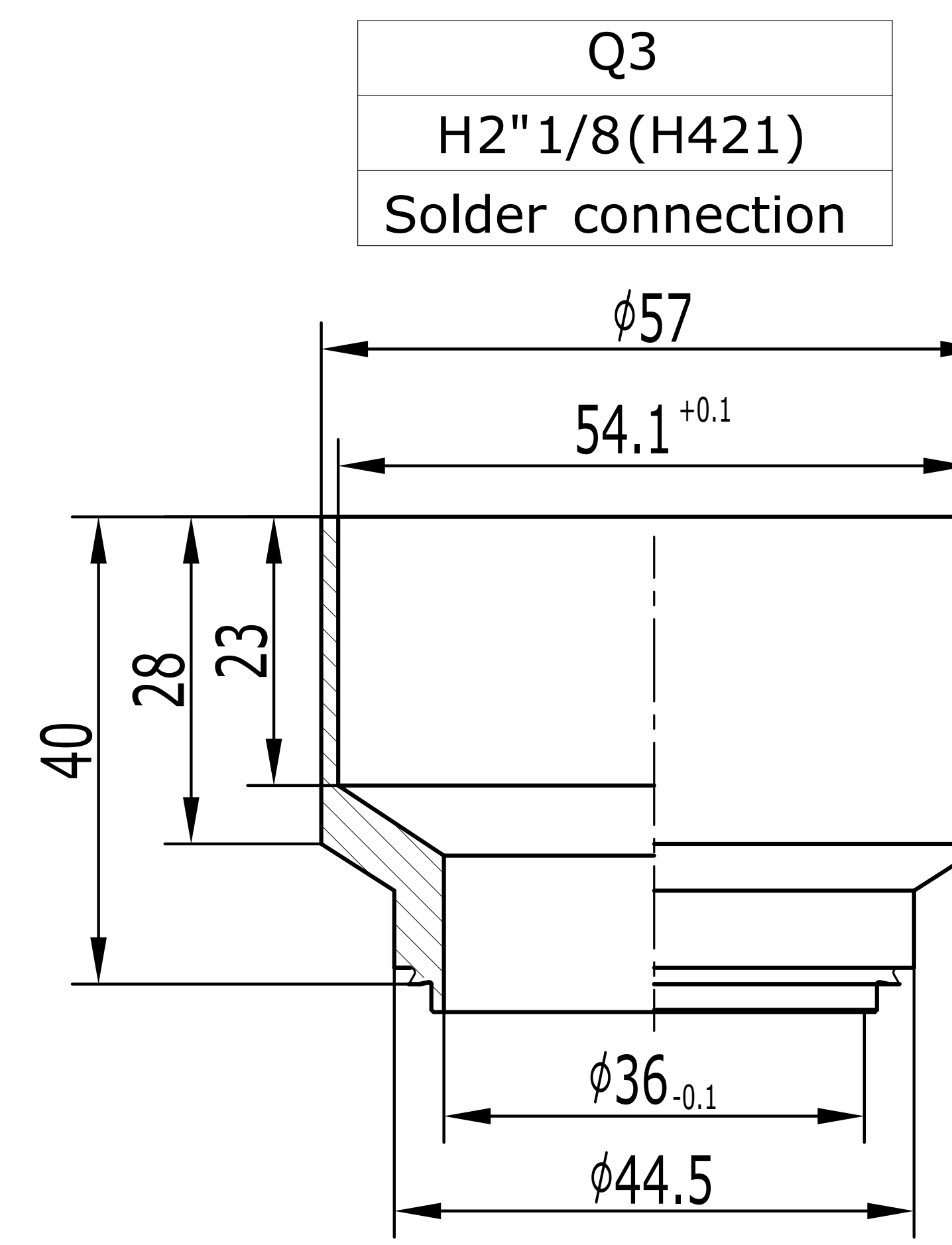
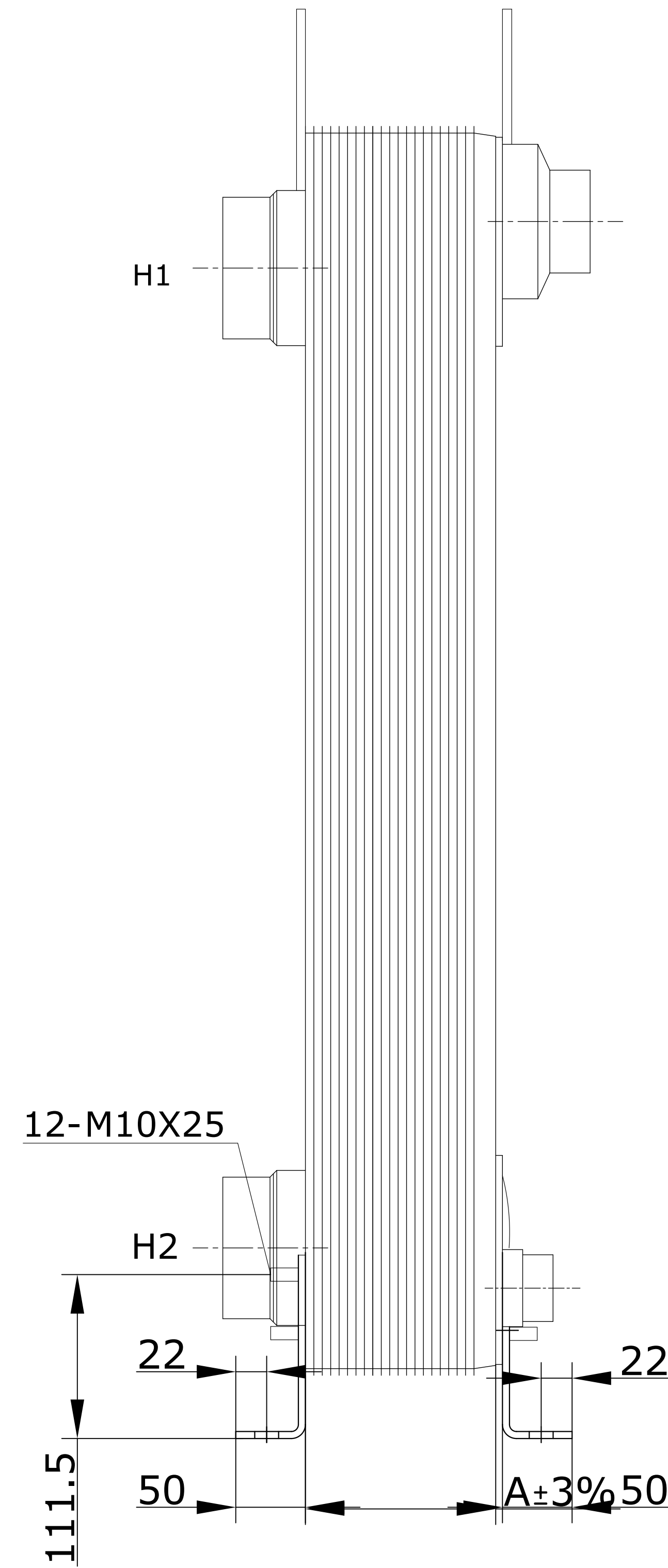
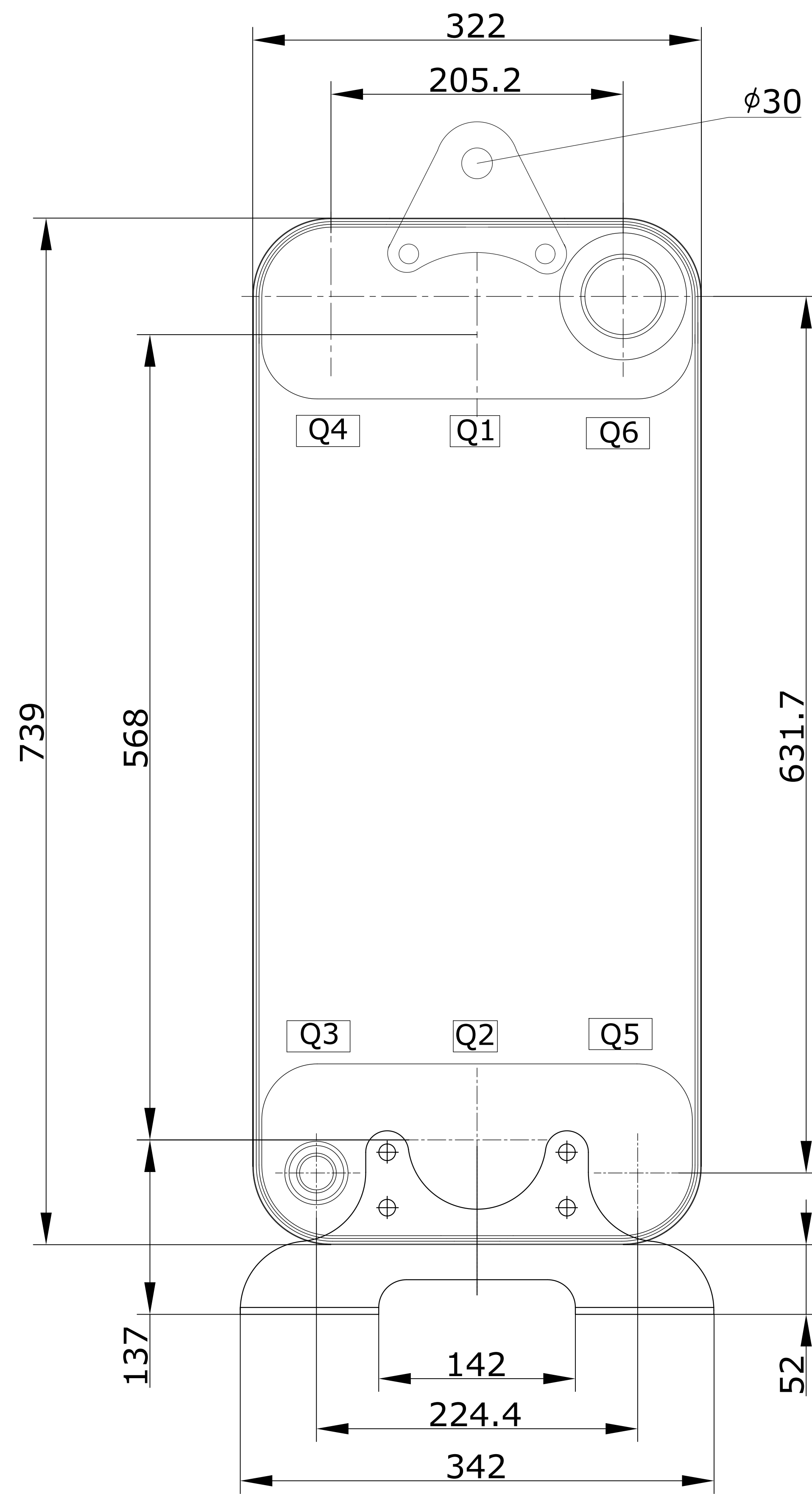
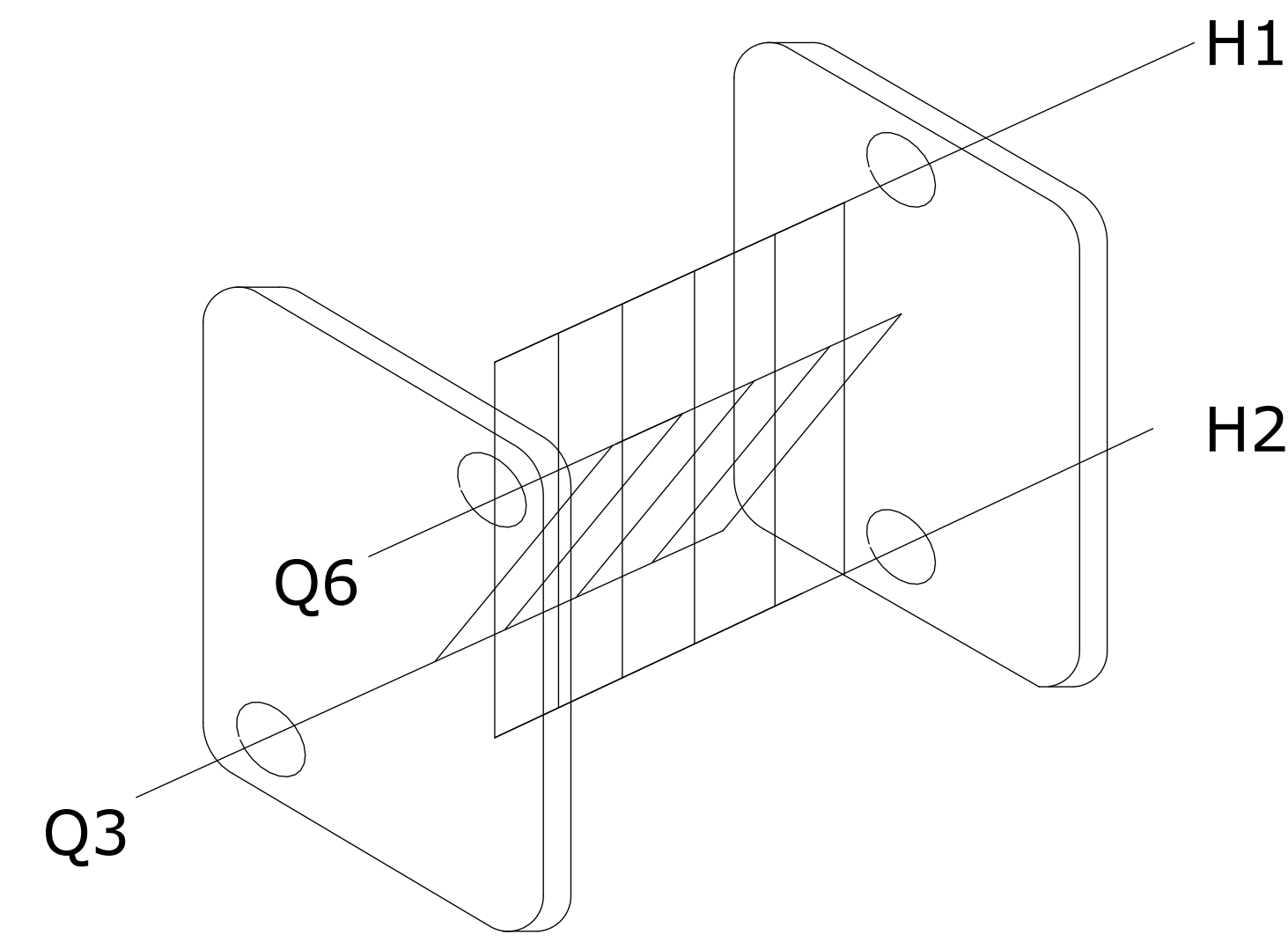
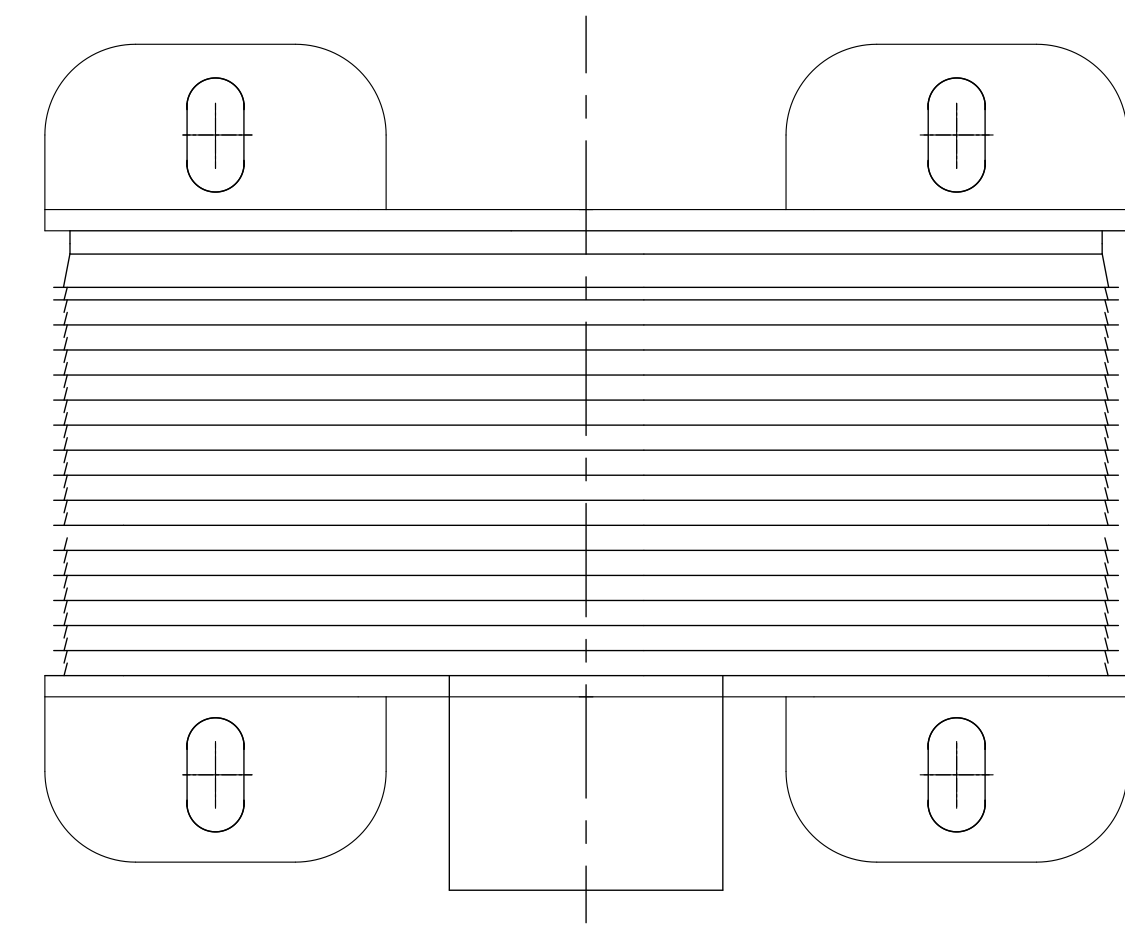


CONTROLLED



ID	RIDAN Code	Drawing No.	Model	Plates(n)	A
1	111B0381R	23020335	210	90	243

DESIGN DATA	
DESIGN PRESSURE	3.0MPa
TEST PRESSURE	4.5MPa
DESIGN TEMPERATURE	-196/+225
LEAKAGE TEST	Helium Test
WEIGHT	79Kg
VOLUM	H1H2: 22.5L
	Q3Q6: 22L
PLATE MATERIAL	316L
PIPE MATERIAL	304
FRAME MATERIAL	304

Assembly drawing	DEPARTMENT	Sales Department	DATE	2024/10/17	SCALE			
	DESIGNER	JLN					RD-210-90-3,0-HDQ- DESIGNATION: H1H2(T88,9)/Q3(H2"1/8)/ Q6(H3"1/8)/12- M10*25	
	INSPECTOR	ZJF						
	APPROVAL						DRAWING NO. 23020335	REV 1