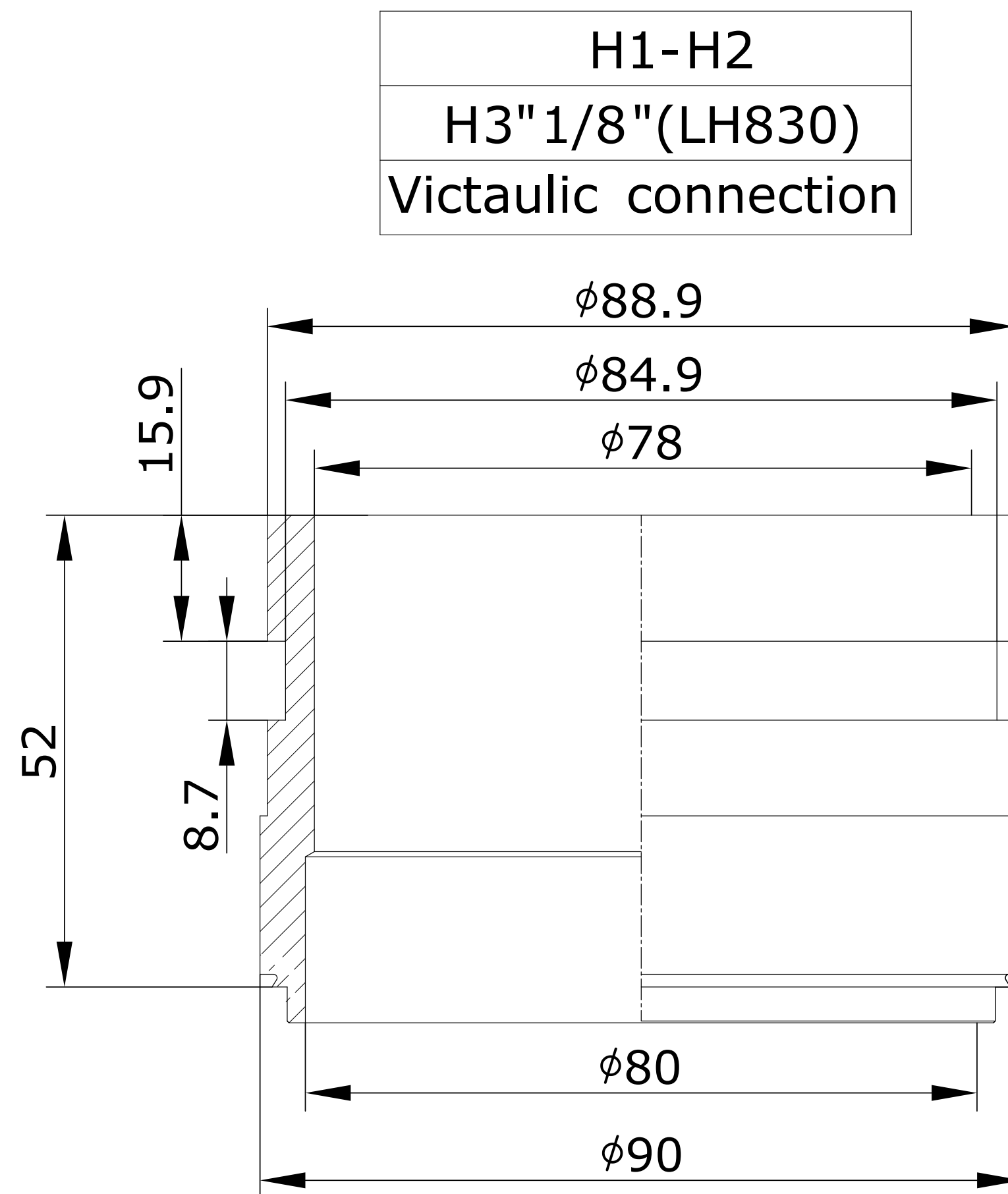
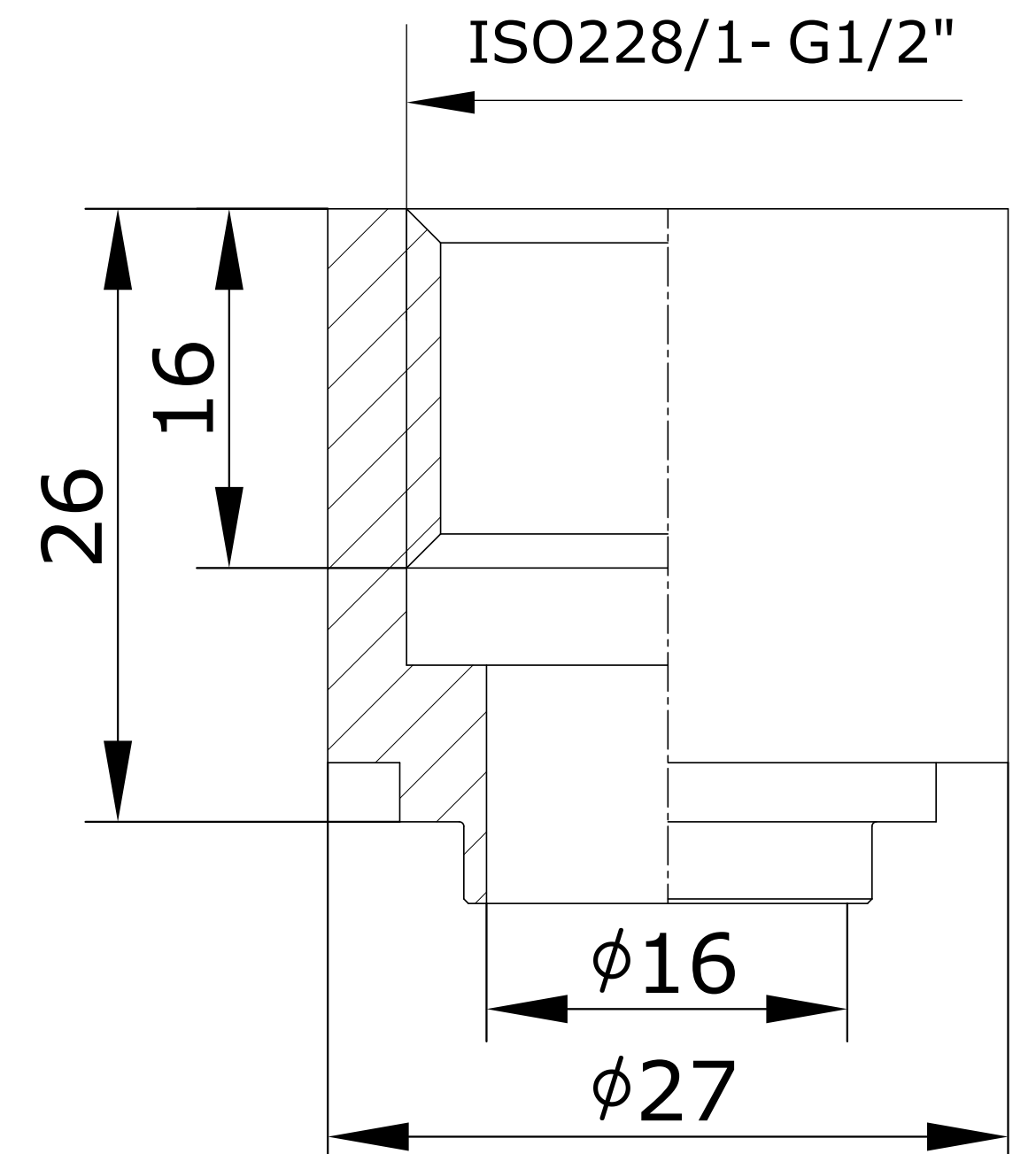
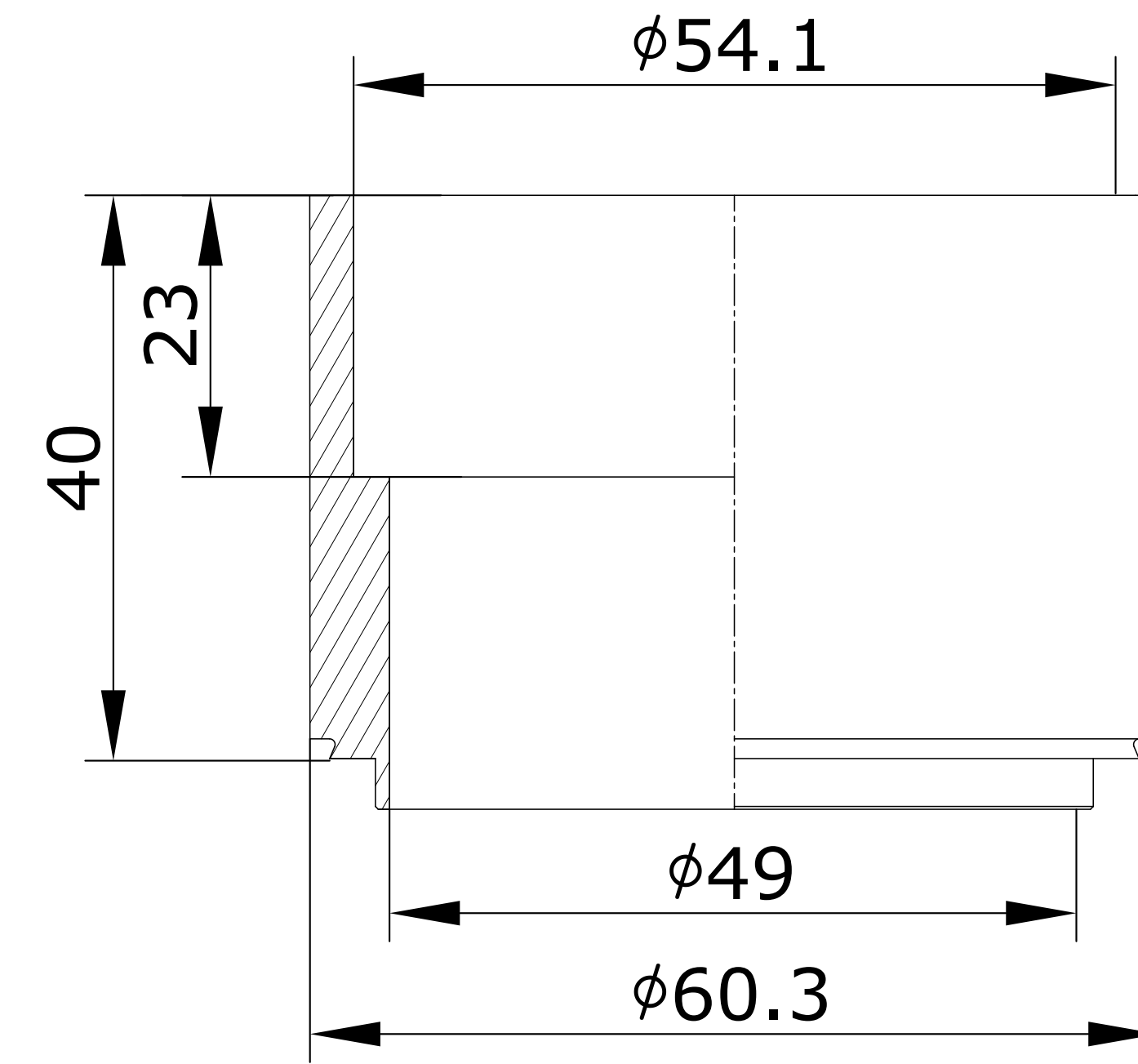
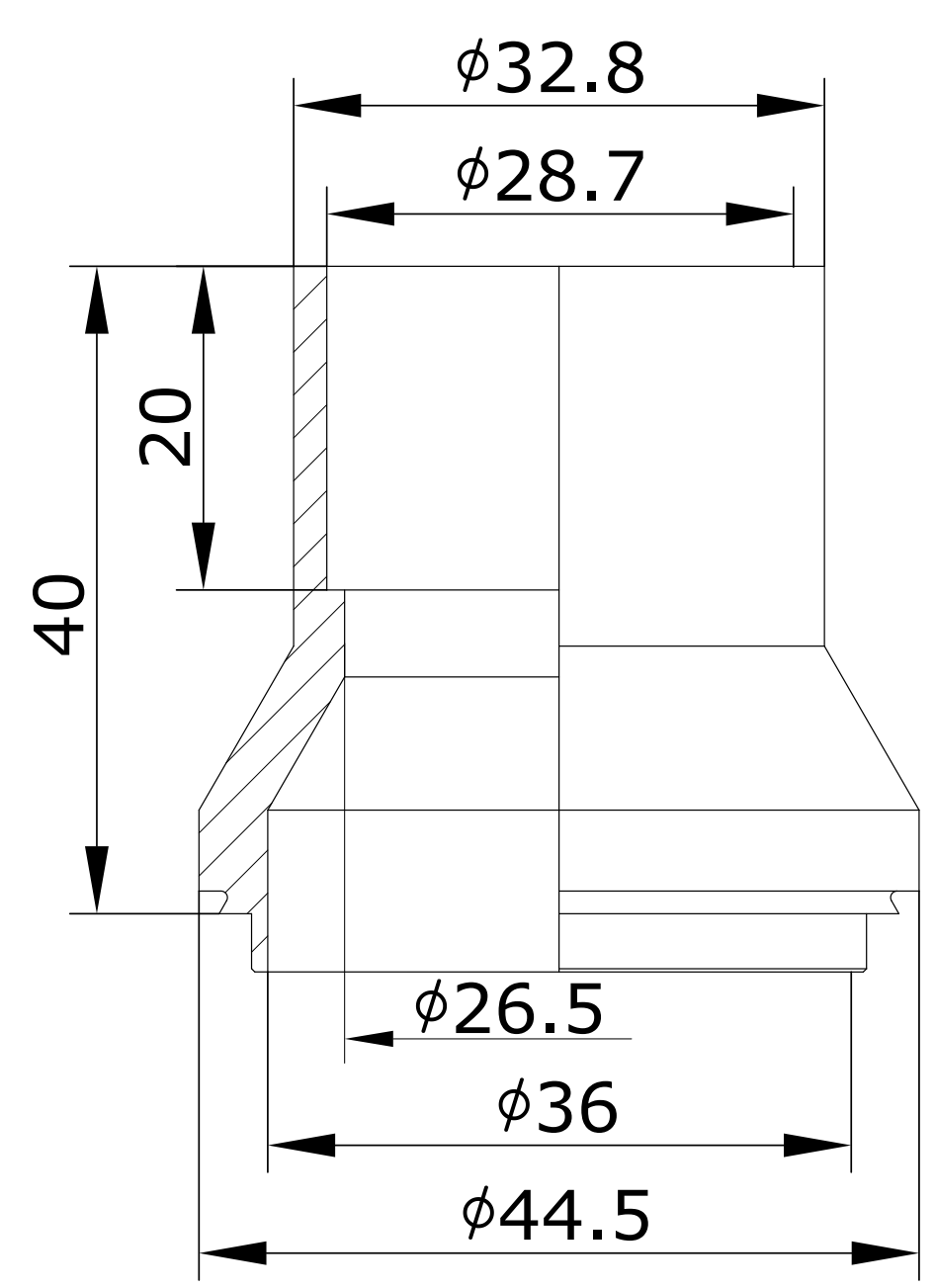
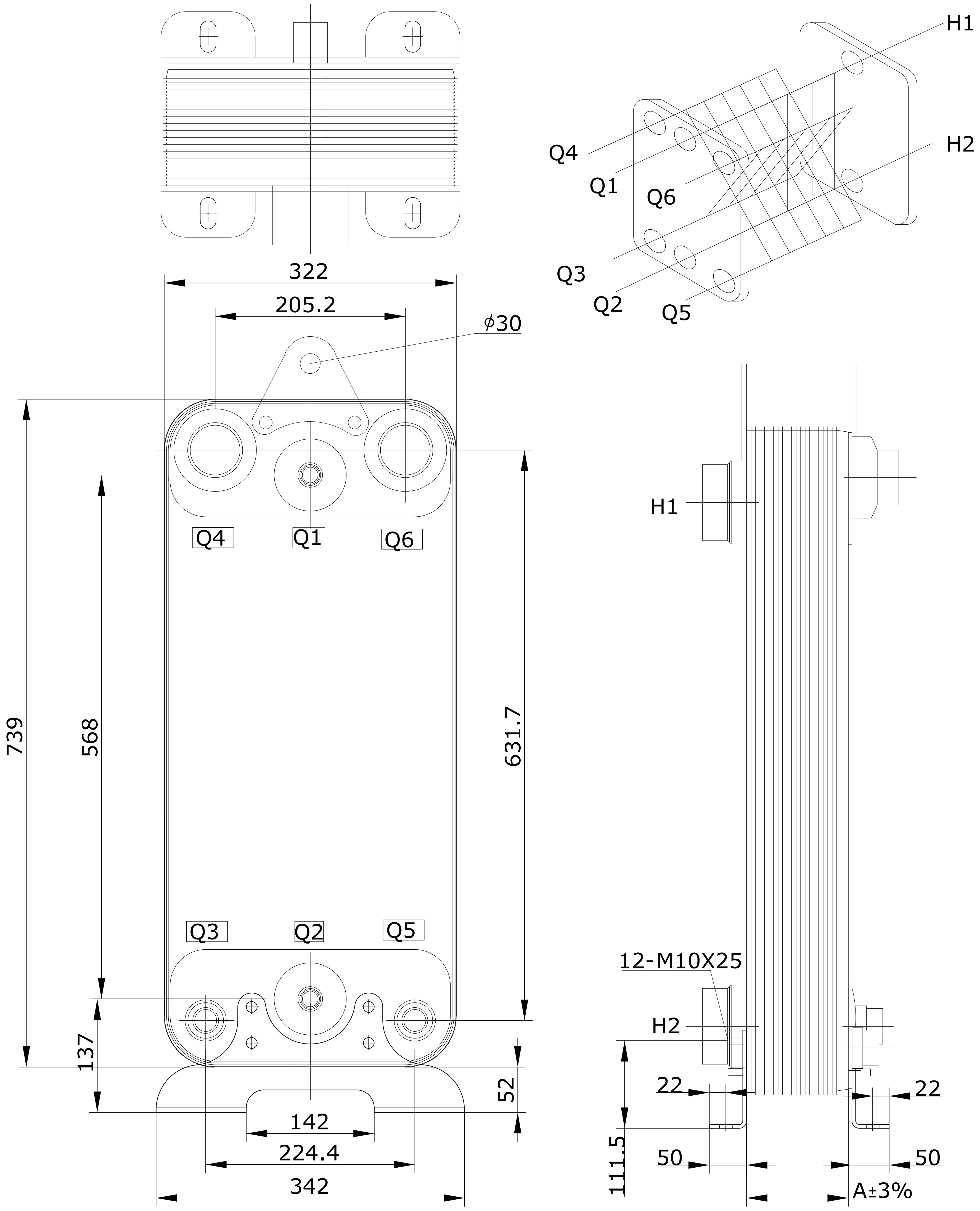


CONTROLLED

Q3Q5
H1"1/8(H4114)
Solder connection

Q4Q6
H2"1/8(H5212)
Solder connection

Q1Q2
N1/2"(N104)
Thread connection



H1-H2
H3"1/8"(LH830)
Victaulic connection

Note: front and back frame welding 12-M10X25 bolts

ID	RIDAN Code	Drawing No.	Model	Plates(n)	A
1	111B0382R	23020336	210	94	253

		DESIGN DATA			
DESIGN PRESSURE		4.5MPa			
TEST PRESSURE		6.75MPa			
DESIGN TEMPERATURE		-196/+225			
LEAKAGE TEST		Helium Test			
WEIGHT		86.294Kg			
VOLUM		H1H2: 23.5L Q3Q6/Q4Q5: 11.5L			
PLATE MATERIAL		316L			
PIPE MATERIAL		304			
FRAME MATERIAL		304			
Assembly drawing	DEPARTMENT	Sales Department	DATE	SCALE	 RD-210-94-4.5-HDQ-Q1Q2(N1/2)/ DESIGNATION: Q3Q5(H1"1/8)/Q4Q6(H2"1/8)/ H1H2(H3"1/8)/12- M10*25
	DESIGNER	JLN	2024/10/17		
	INSPECTOR	ZJF			
	APPROVAL			DRAWING NO.	