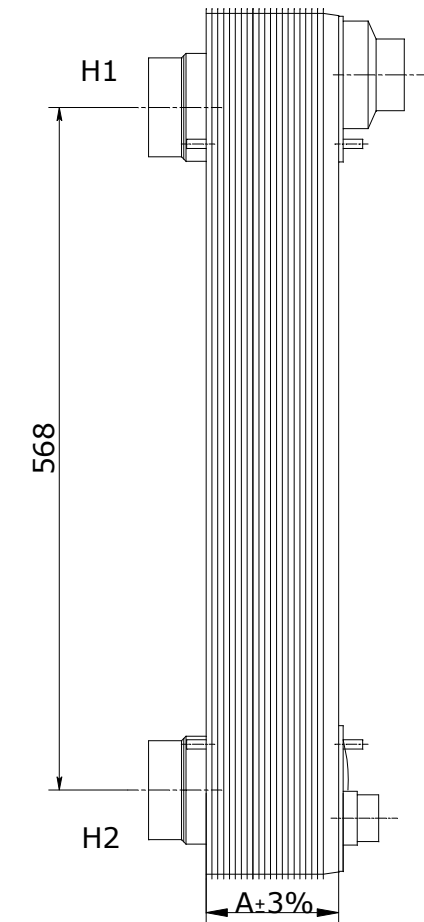
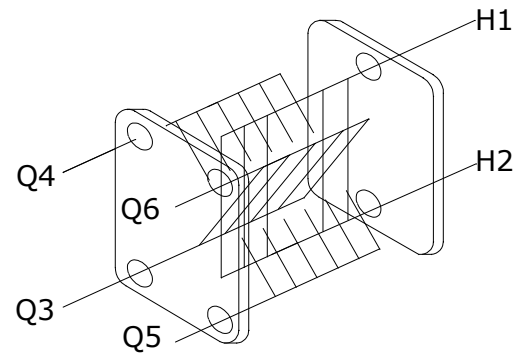
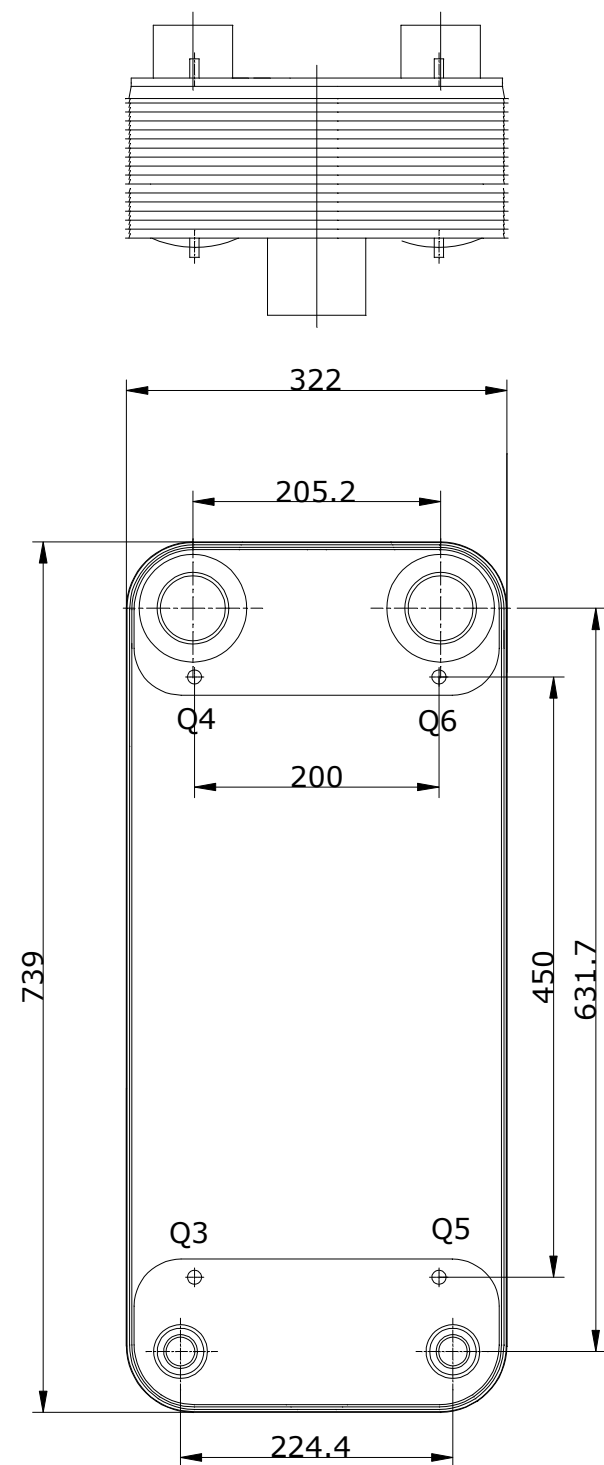
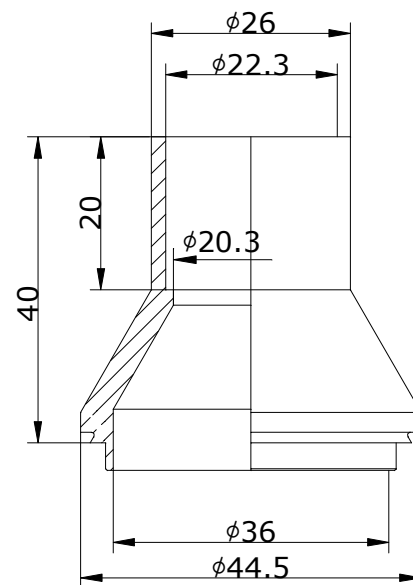


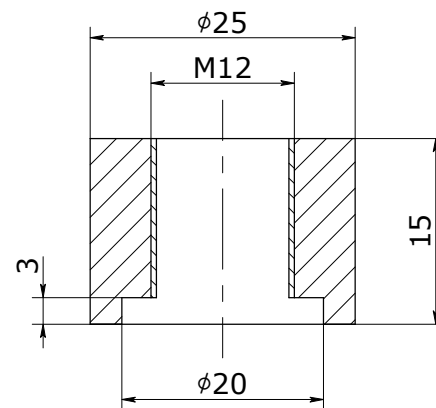
CONTROLLED



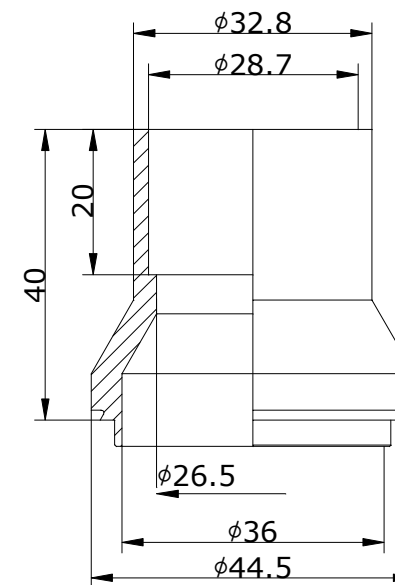
Q3-Q5  
H7/8"(H407)  
Solder connection



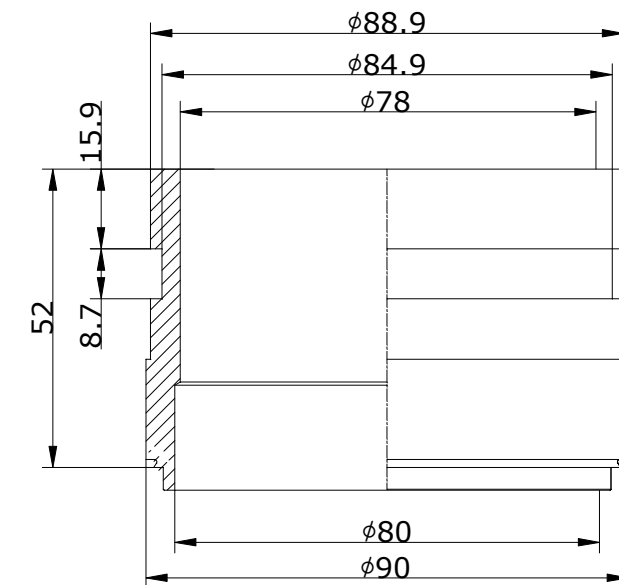
Nuts for mounting bolts



Q4-Q6  
H1"1/8"(H4114)  
Solder connection



H1-H2  
T88,9(LJ830)  
Victaulic connectoin



Note: 8-M12X40 bolts

	RIDAN Code	Drawing No.	Model	Plates(n)	A	Weight	Volume
1	111B0313R	23021364-01	210	102	274	90.118Kg	Q3Q5Q4Q6:12.5L/H1H2:25.5L
2	111B0315R	23021364-02	210	118	316	102.022Kg	Q3Q5Q4Q6:14.5L/H1H2:29.5L

DESIGN DATA	
DESIGN PRESSURE	4.5MPa
TEST PRESSURE	6.75MPa
DESIGN TEMPERATURE	-196/+225
LEAKAGE TEST	Helium Test
PLATE MATERIAL	316L
PIPE MATERIAL	304
FRAME MATERIAL	304

Assembly drawing	DEPARTMENT	Sales Department	DATE	2024/08/28	SCALE		
	DESIGNER	JLN	INSPECTOR	ZJF			
	APPROVAL	FL	DRAWING NO.	23021364	REV.	2	
	DESIGNATION: RD-210-n-4,5-HDQ-Q3Q5 (H7/8")/Q4Q6(H1"1/8)/H1H2(T88,9)/8-M12x40						