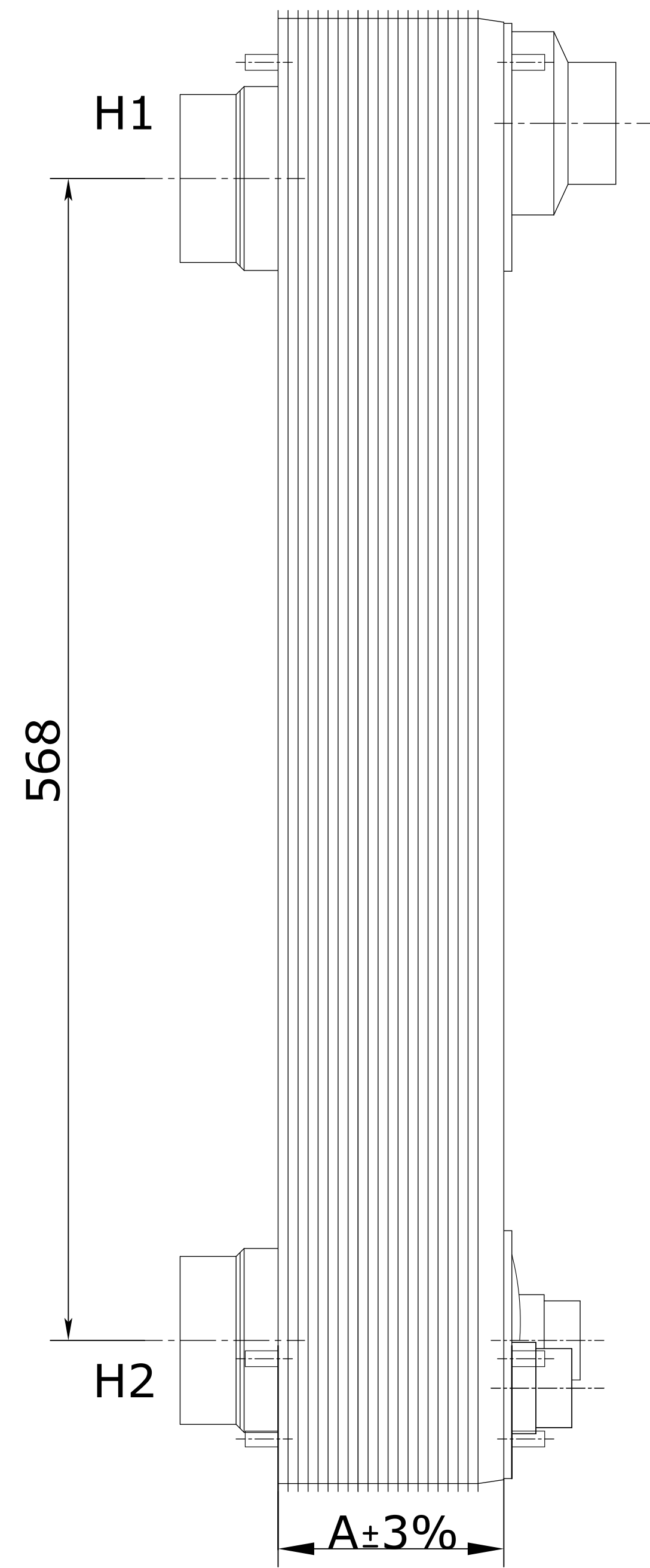
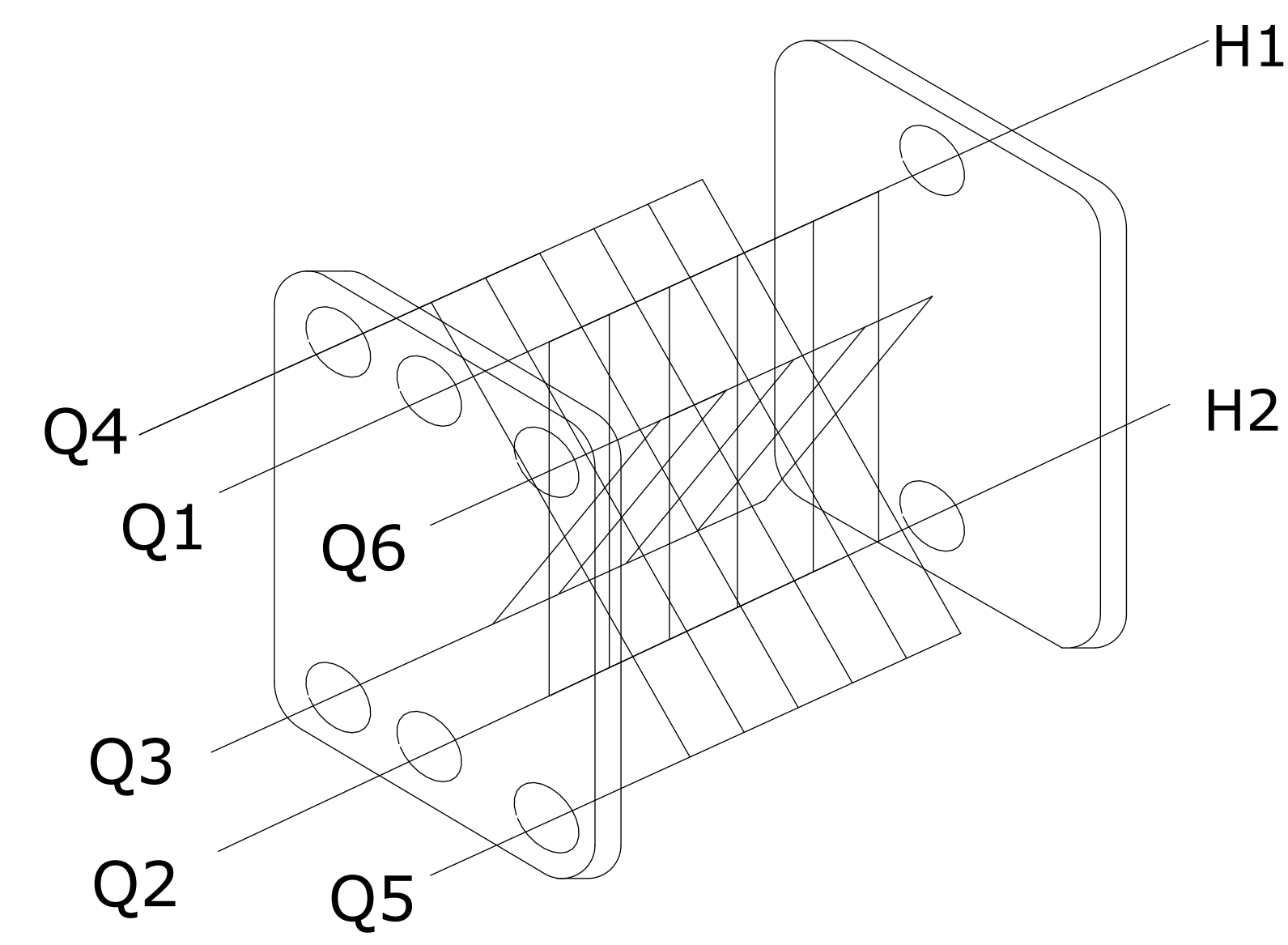
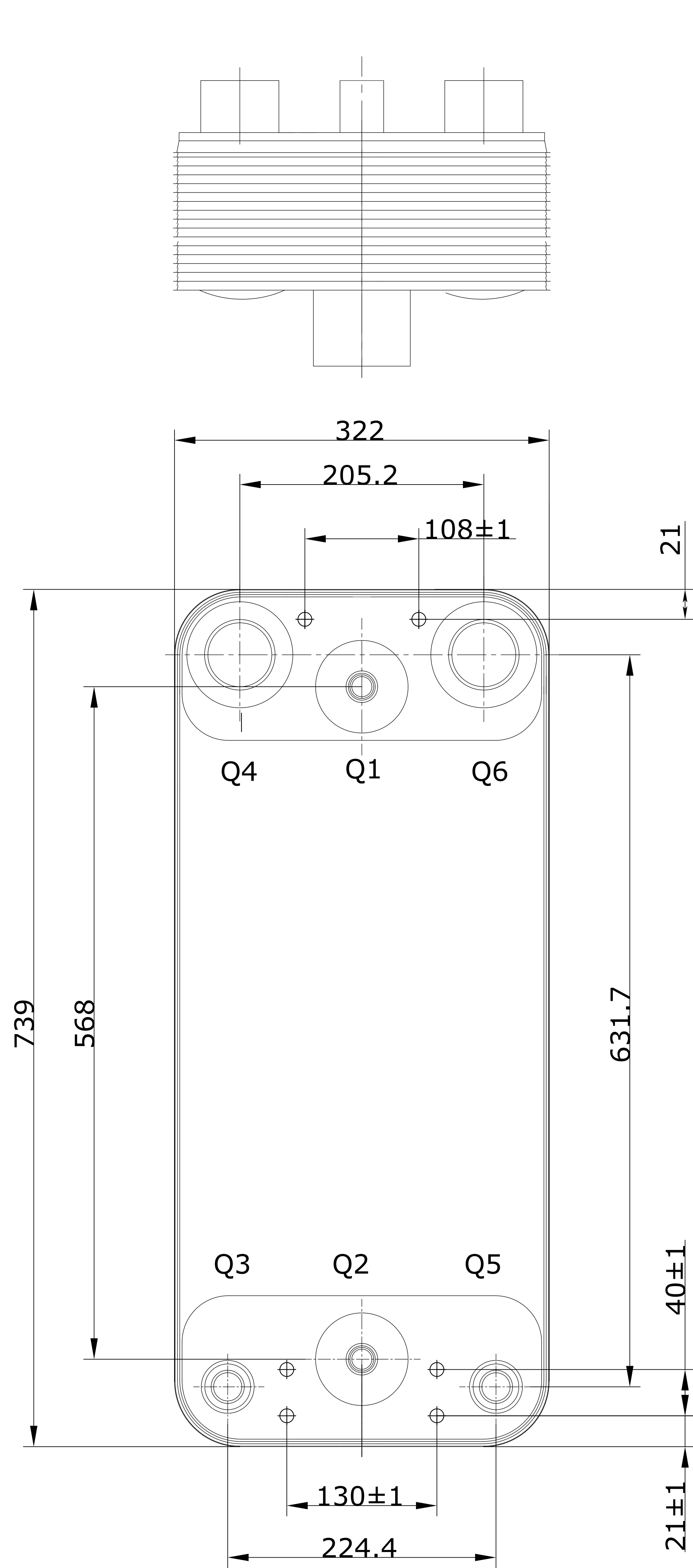
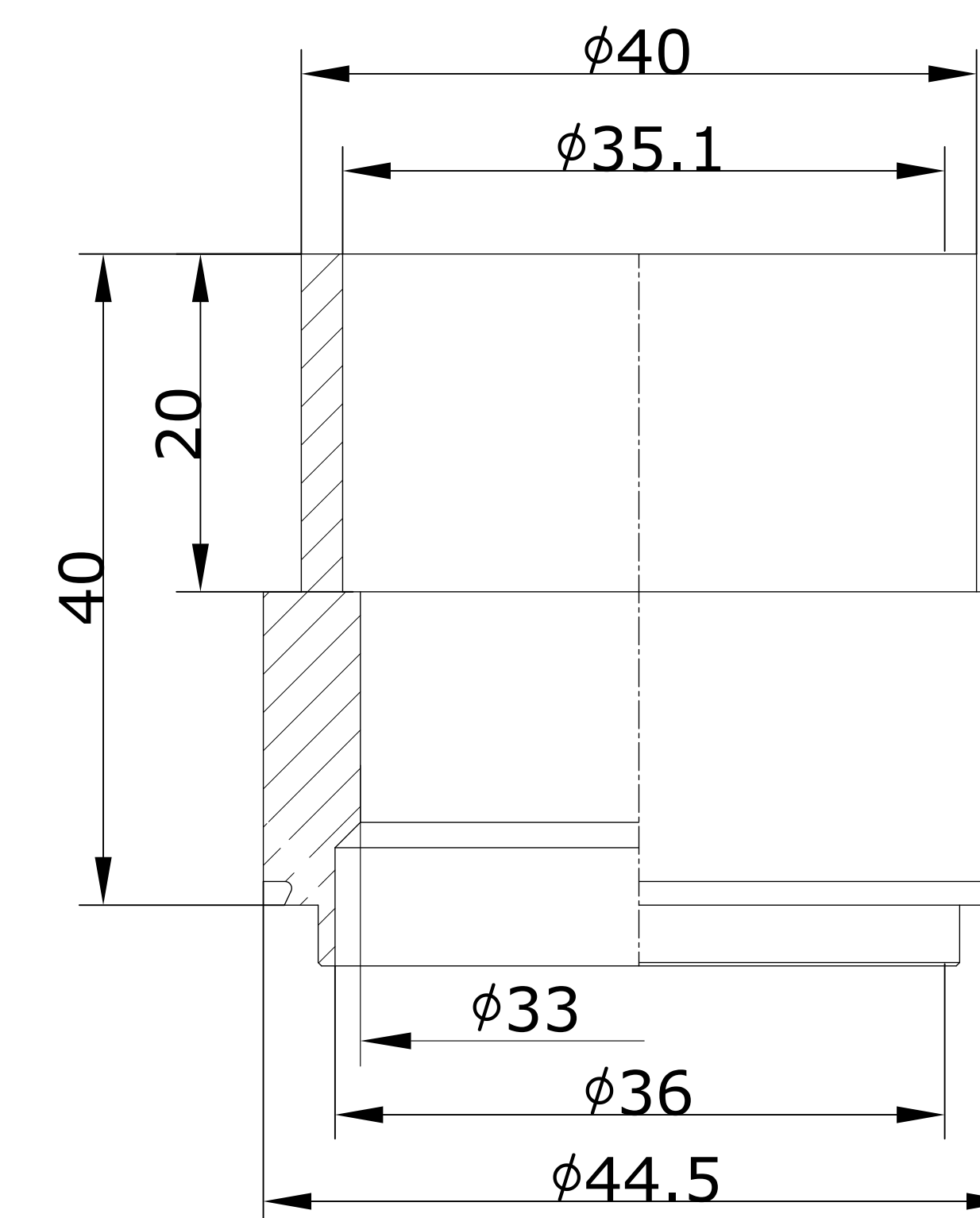


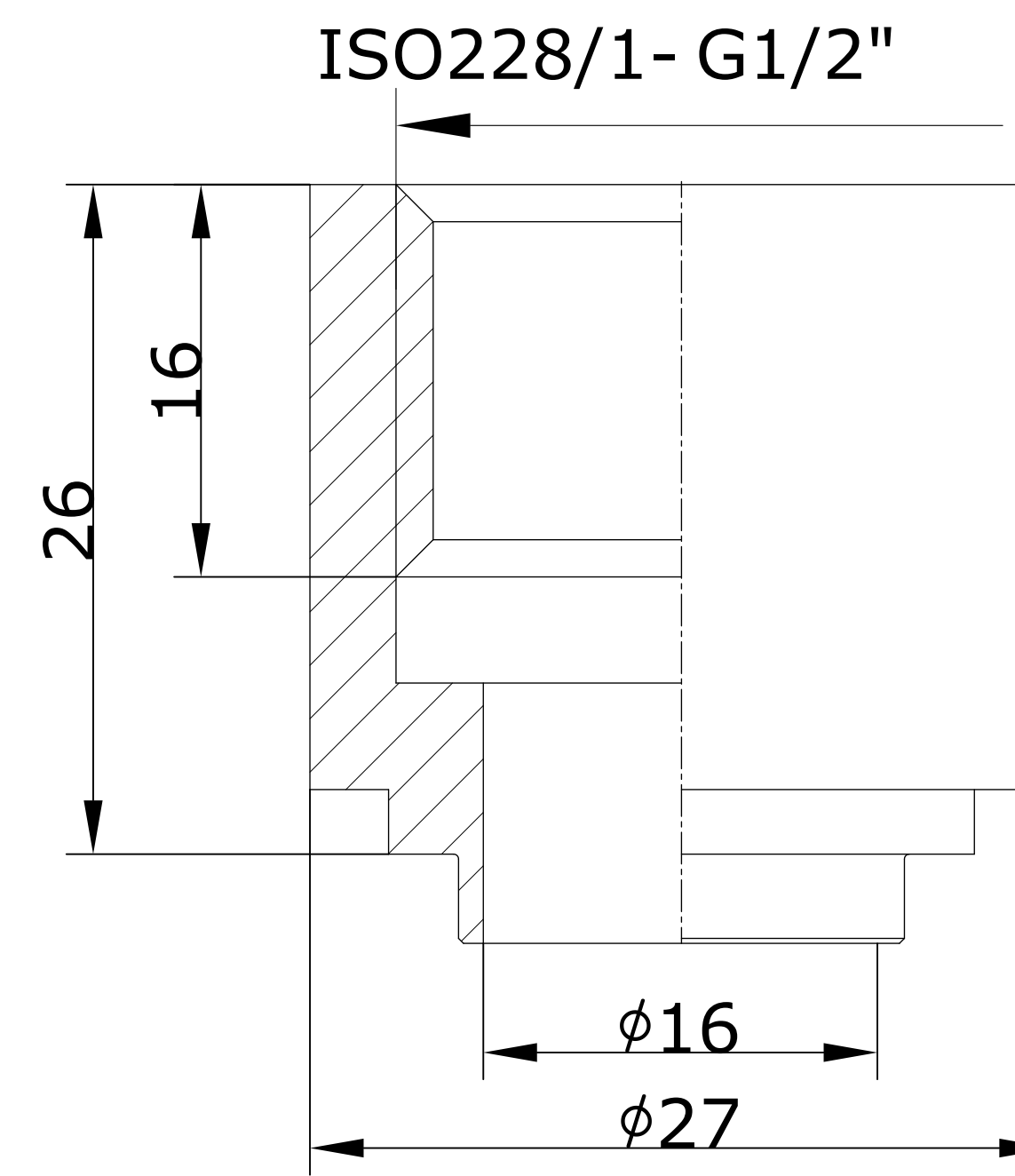
CONTROLLED



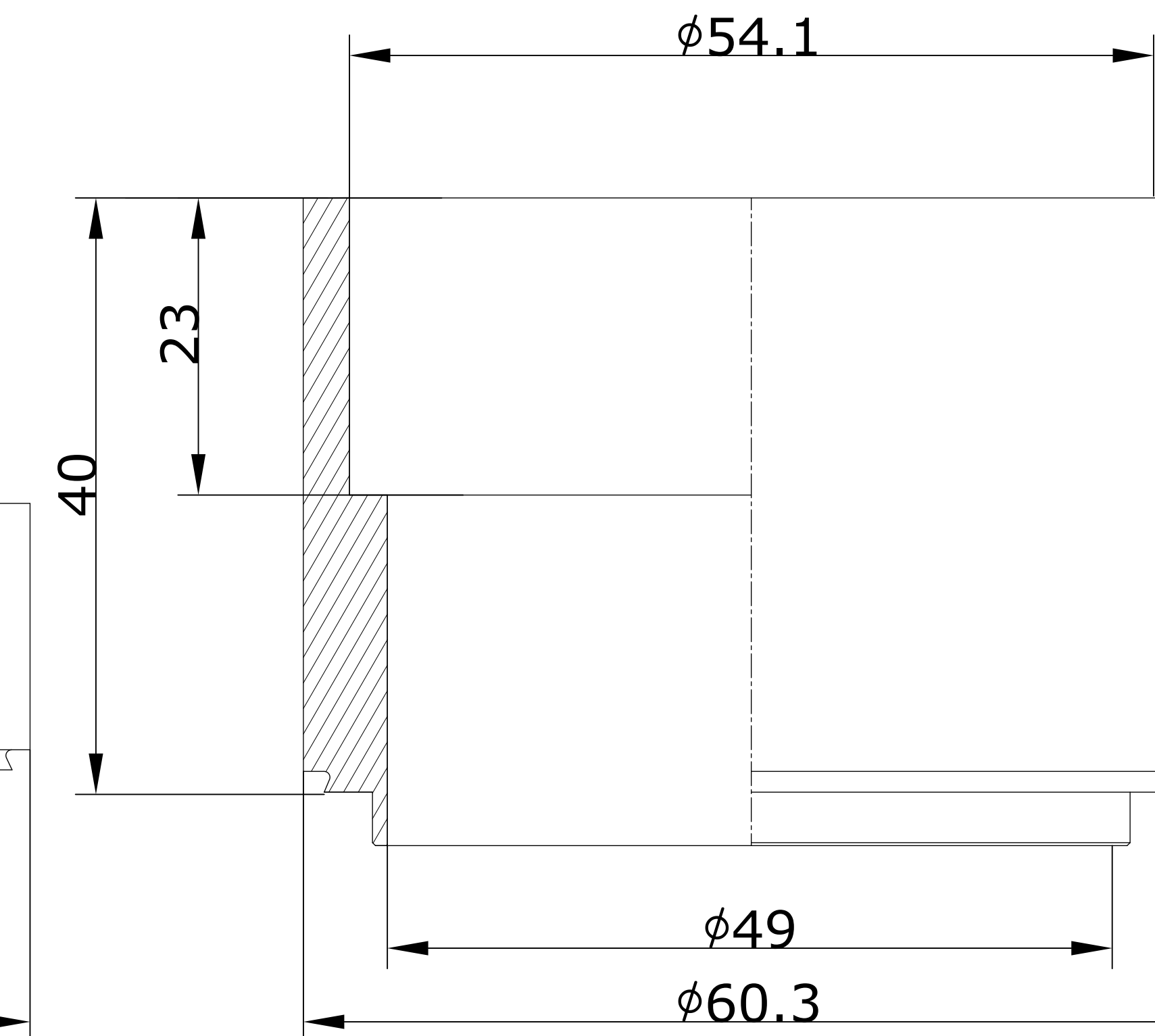
Q3-Q5
H1"3/8(H4138)
Solder connection



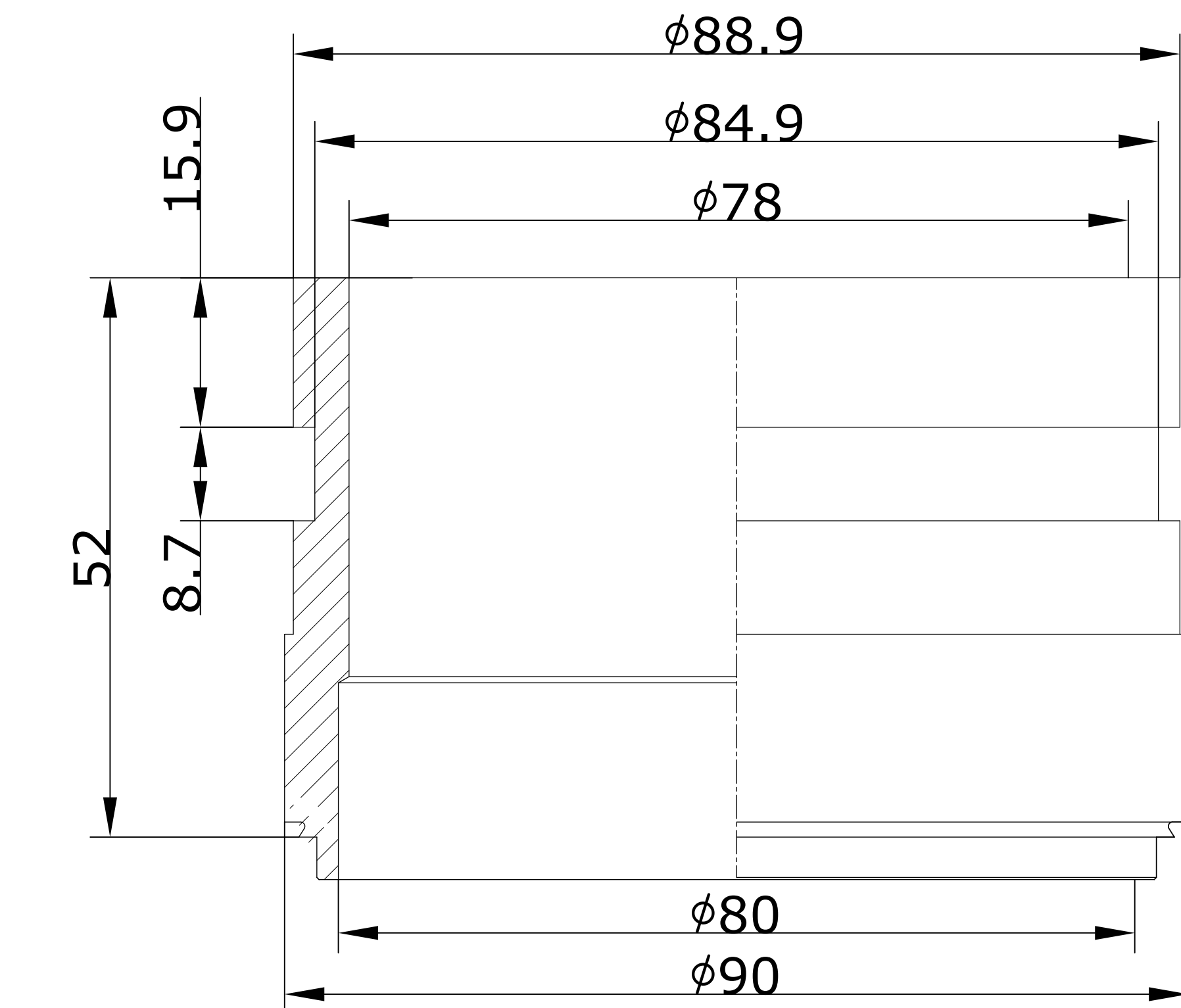
Q1-Q2
N1/2"(N104)
Thread connection



Q4-Q6
H2"1/8(H5112)
Solder connection



H1-H2
T88,9(LJ830)
Victaulic connectoin



Note: 12-M10X25 bolts

ID	RIDAN Code	Drawing No.	Model	Plates(n)	A	Weight	Volume
1	111B0318R	23018065	210	118	316	102.522Kg	Q3Q5Q4Q6:14.5L/Q1Q2H1H2:29.5L

DESIGN DATA	
DESIGN PRESSURE	4.5MPa
TEST PRESSURE	6.75MPa
DESIGN TEMPERATURE	-196/+225
LEAKAGE TEST	Helium Test
PLATE MATERIAL	316L
PIPE MATERIAL	304
FRAME MATERIAL	304

Assembly drawing	DEPARTMENT	Sales Department	DATE	2024/10/16	SCALE		
	DESIGNER	JLN					
	INSPECTOR	ZJF					
	APPROVAL	FL					
DESIGNATION:		RD-210-118-4,5-HDQ-Q1Q2(N1/2"/Q3Q5(H1"3/8)/Q4Q6(H2"1/8)/H1H2(T88,9)/12-M10x25		DRAWING NO.	23018065	REV.	3