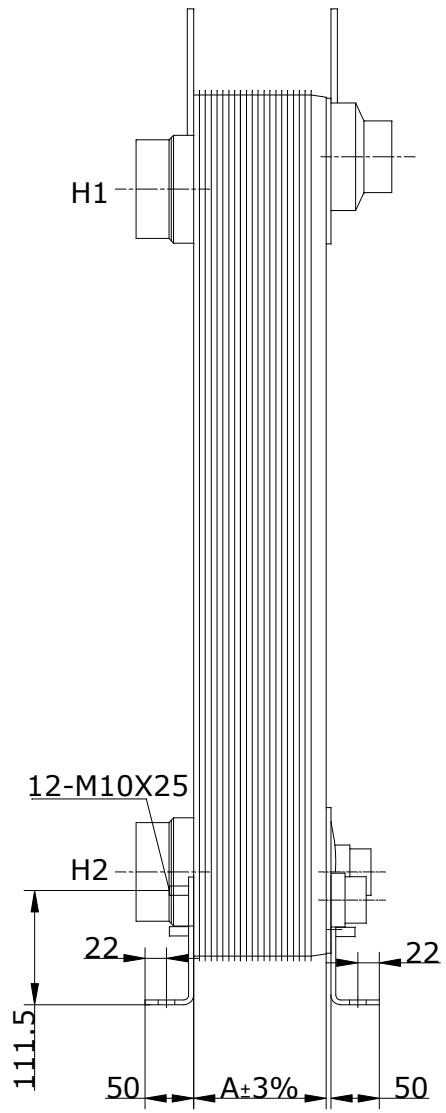
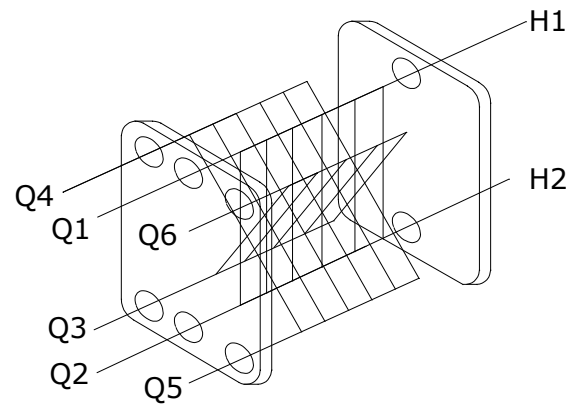
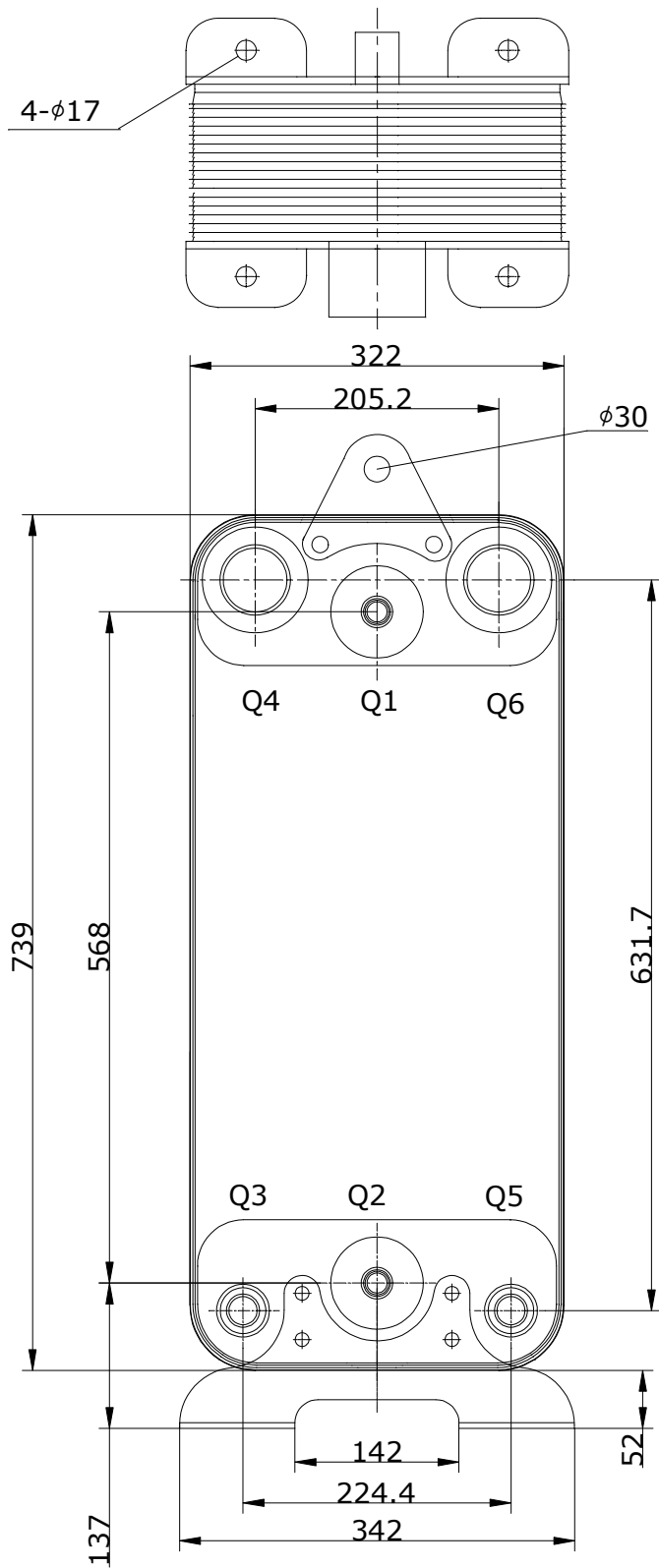
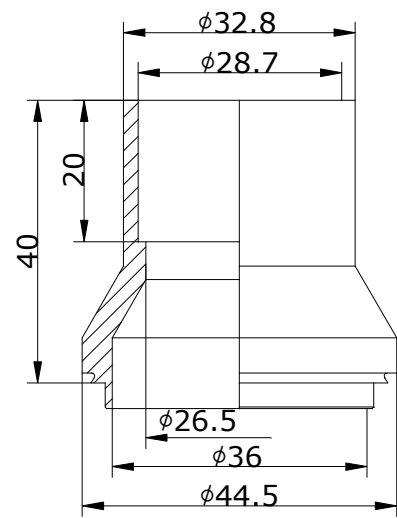


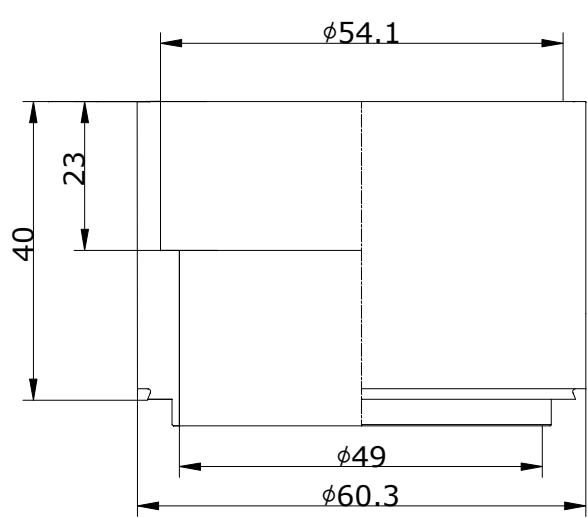
CONTROLLED



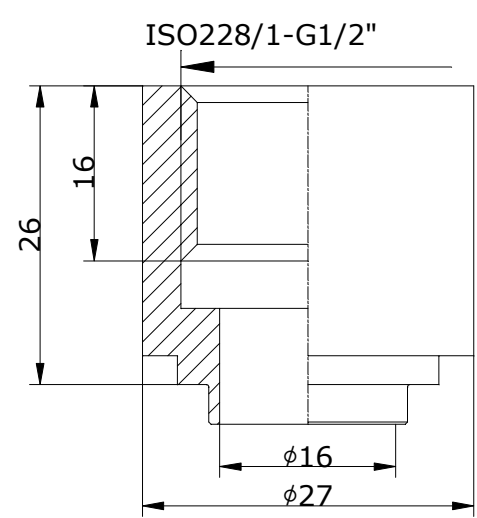
Q3-Q5
H1"1/8(H4138)
Solder connection



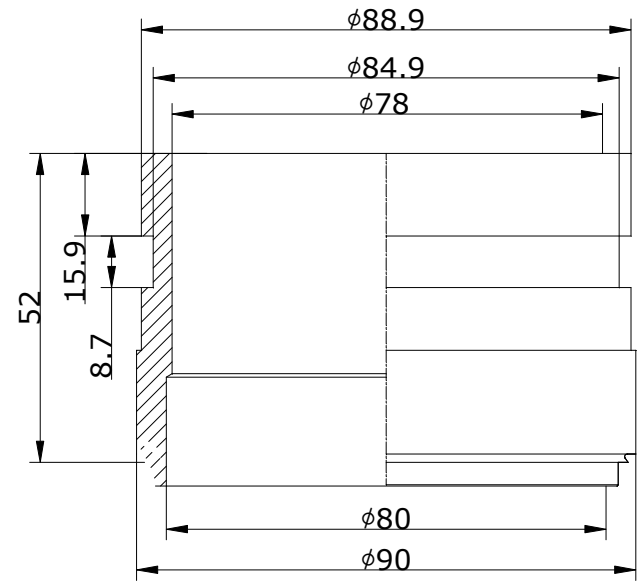
Q4-Q6
H2"1/8(H5212)
Solder connection



Q1-Q2
N1/2(N104)
Thread connection



H1-H2
H3"1/8(LJ830)
Victaulic connection



Note: Add feet

DESIGN DATA	
DESIGN PRESSURE	4.5MPa
TEST PRESSURE	6.75MPa
DESIGN TEMPERATURE	-196/+225
LEAKAGE TEST	Helium Test
WEIGHT	99 Kg
VOLUME	Q3Q5Q4Q6: 14.25L
	Q1Q2H1H2: 29.5L
PLATE MATERIAL	316L
PIPE MATERIAL	304
FRAME MATERIAL	304

ID	RIDAN Code	Drawing No.	Model	Plates(n)	A
1	111B0376R	2305527	210	118	316

Assembly drawing	DEPARTMENT	Sales Department	DATE	SCALE	
	DESIGNER	JLN	2023/06/18		
	INSPECTOR	ZJF			DESIGNATION:
	APPROVAL	FL			RD-210-118-4,5-HDQ-Q1Q2(N1/2)/Q3Q5(H1"1/8)/Q4Q6(H2"1/8)/H1H2(T88,9)/12-M10*25
			DRAWING NO.	2305527	REV. 1