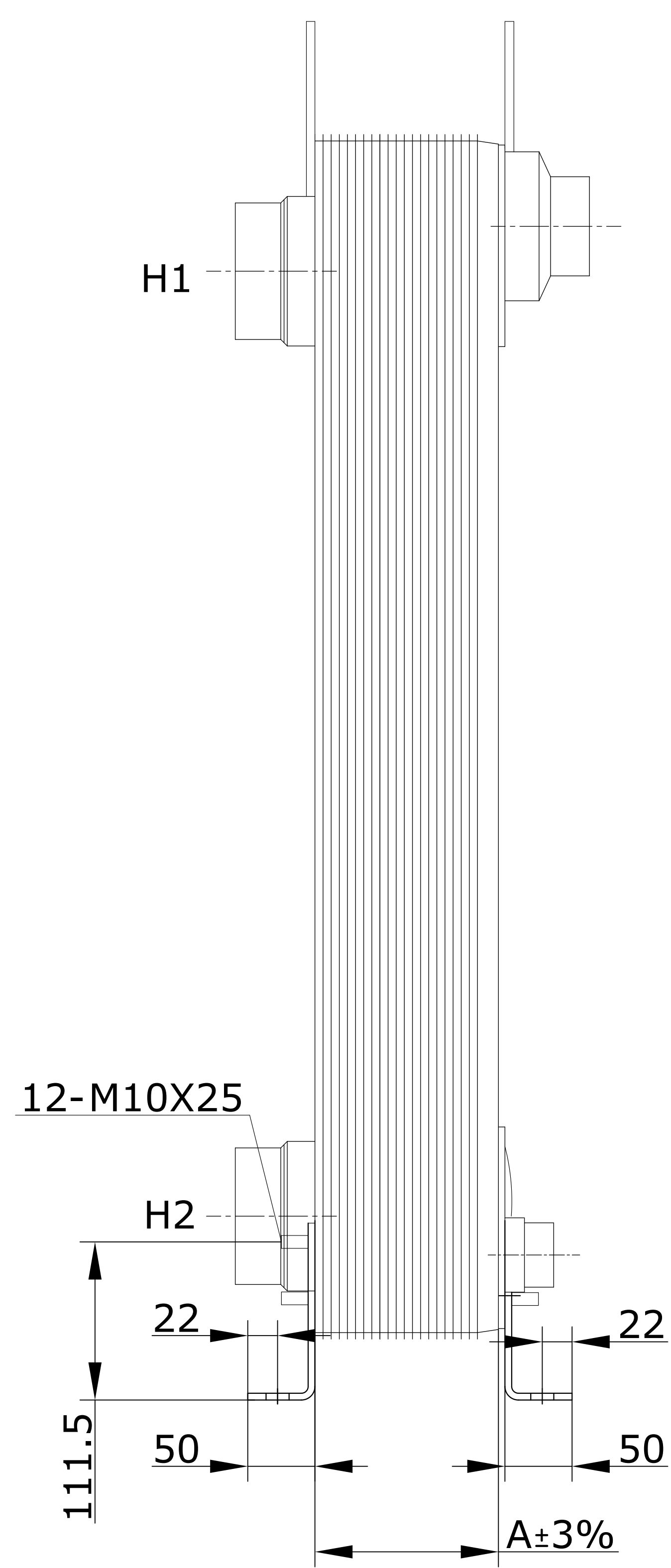
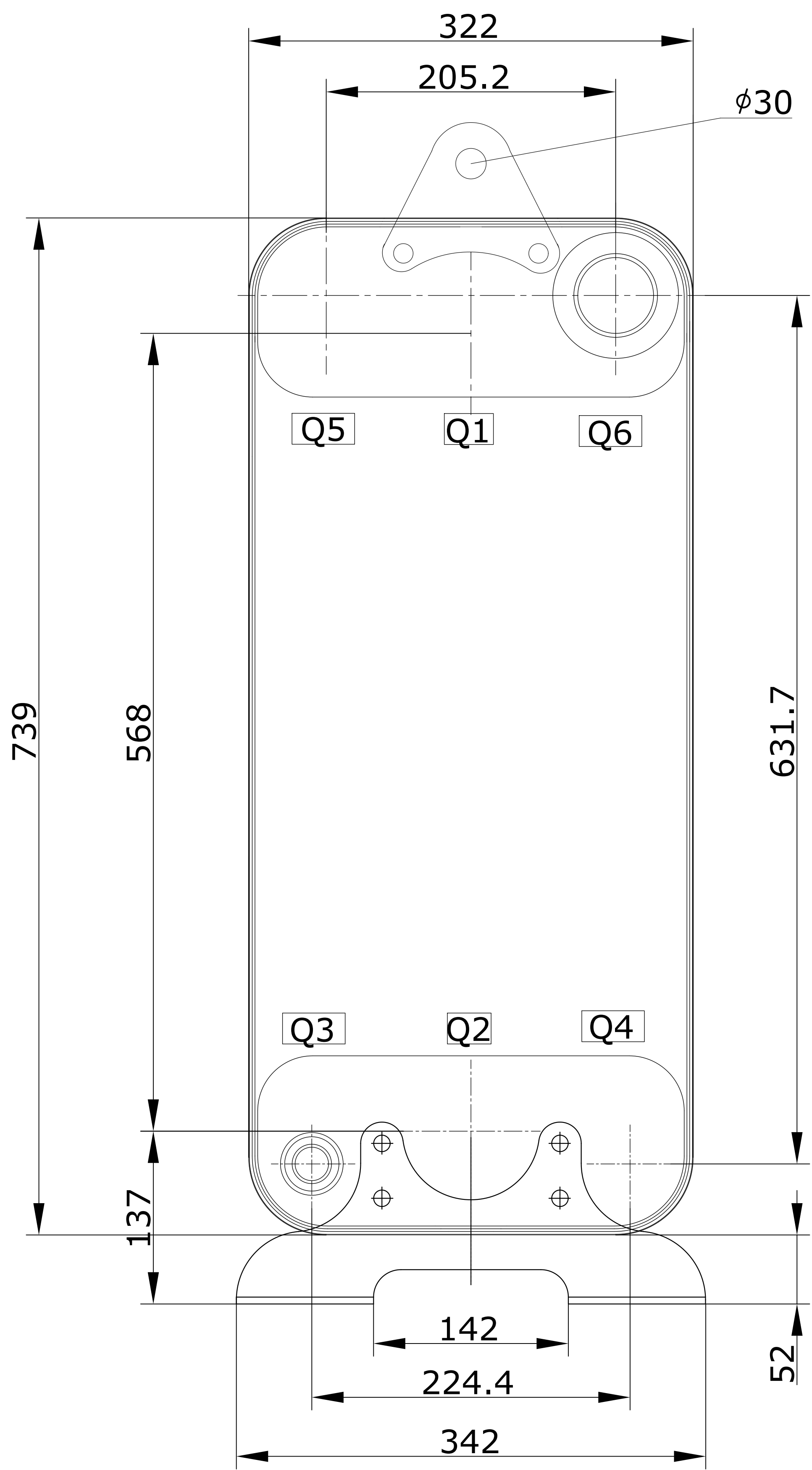
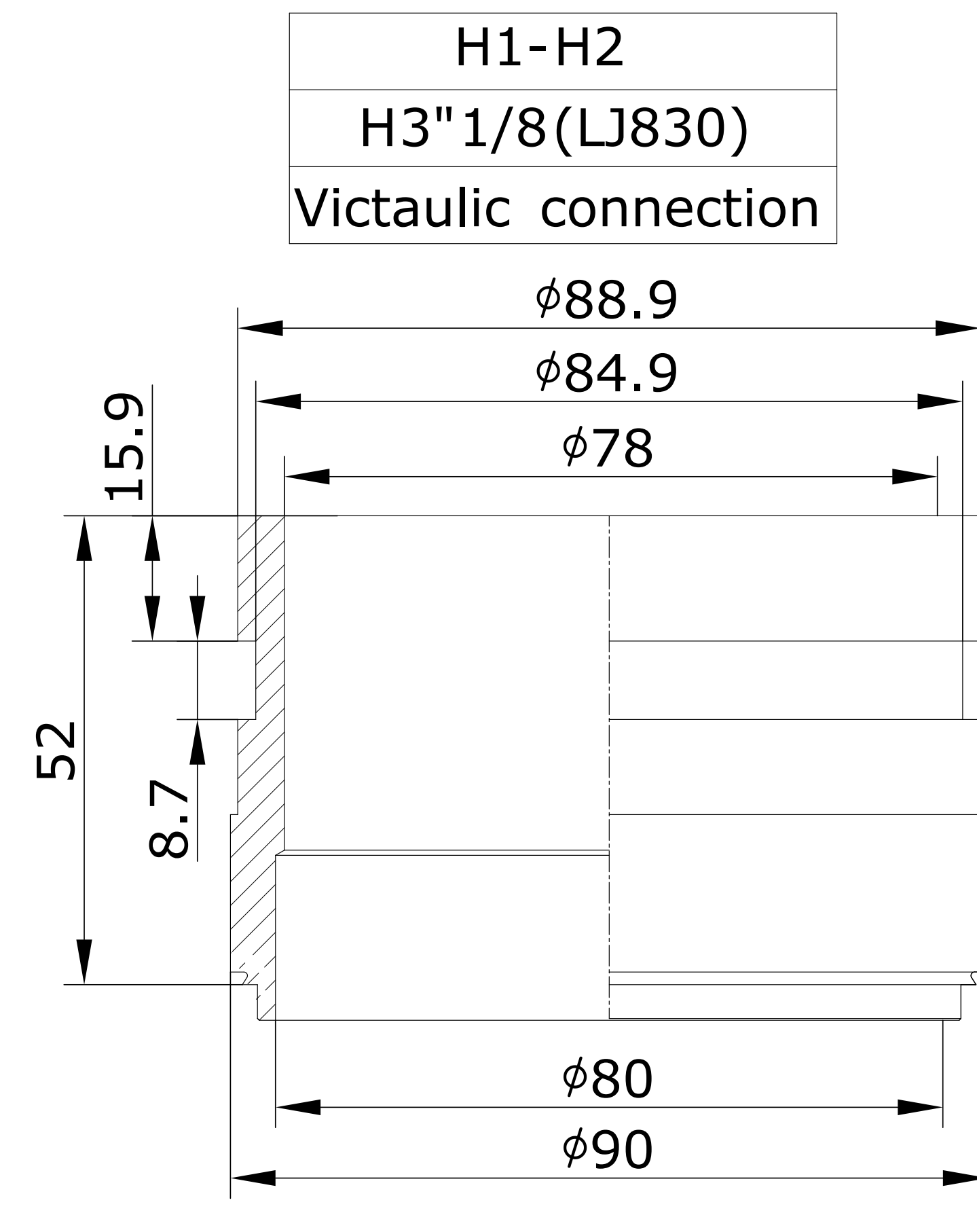
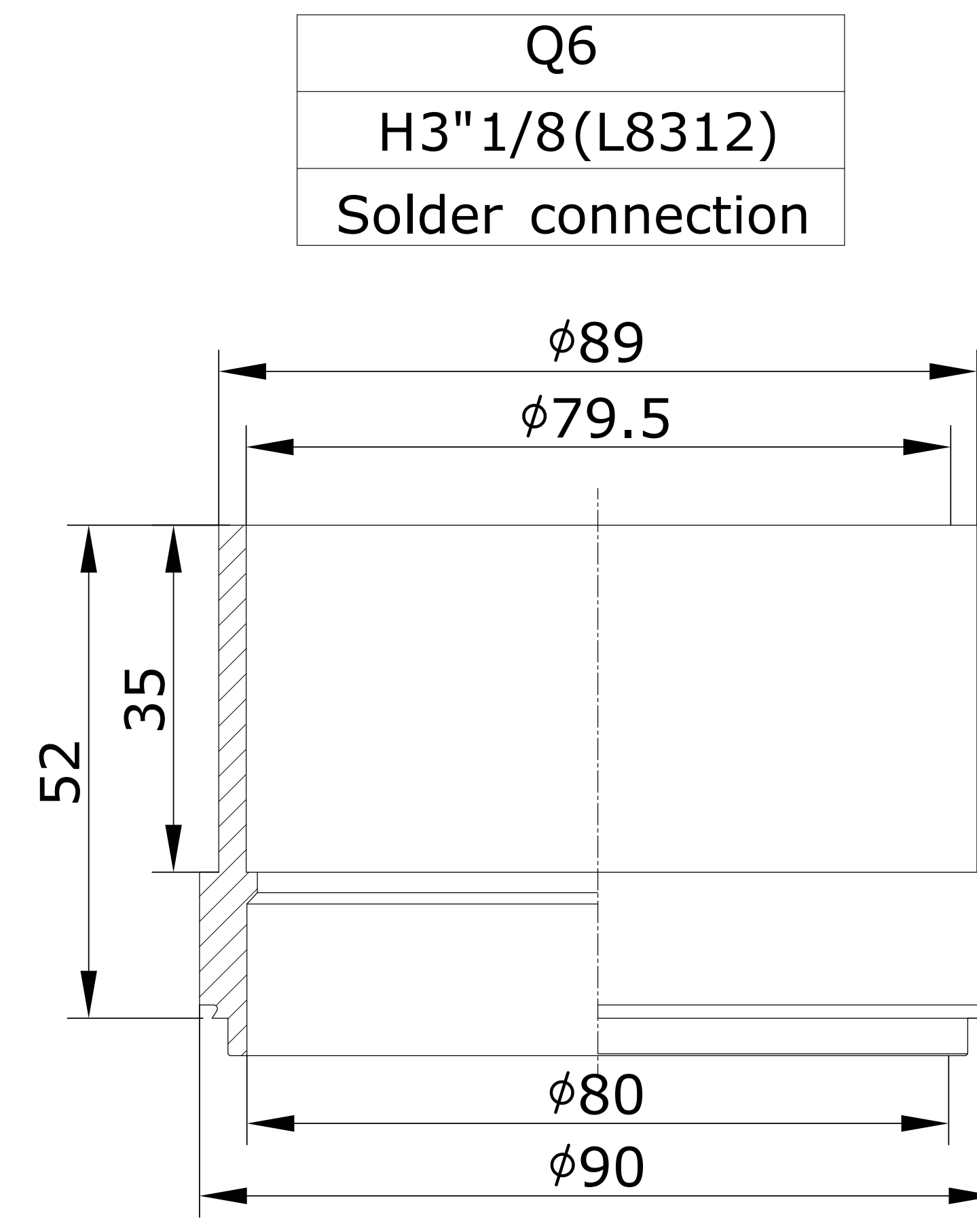
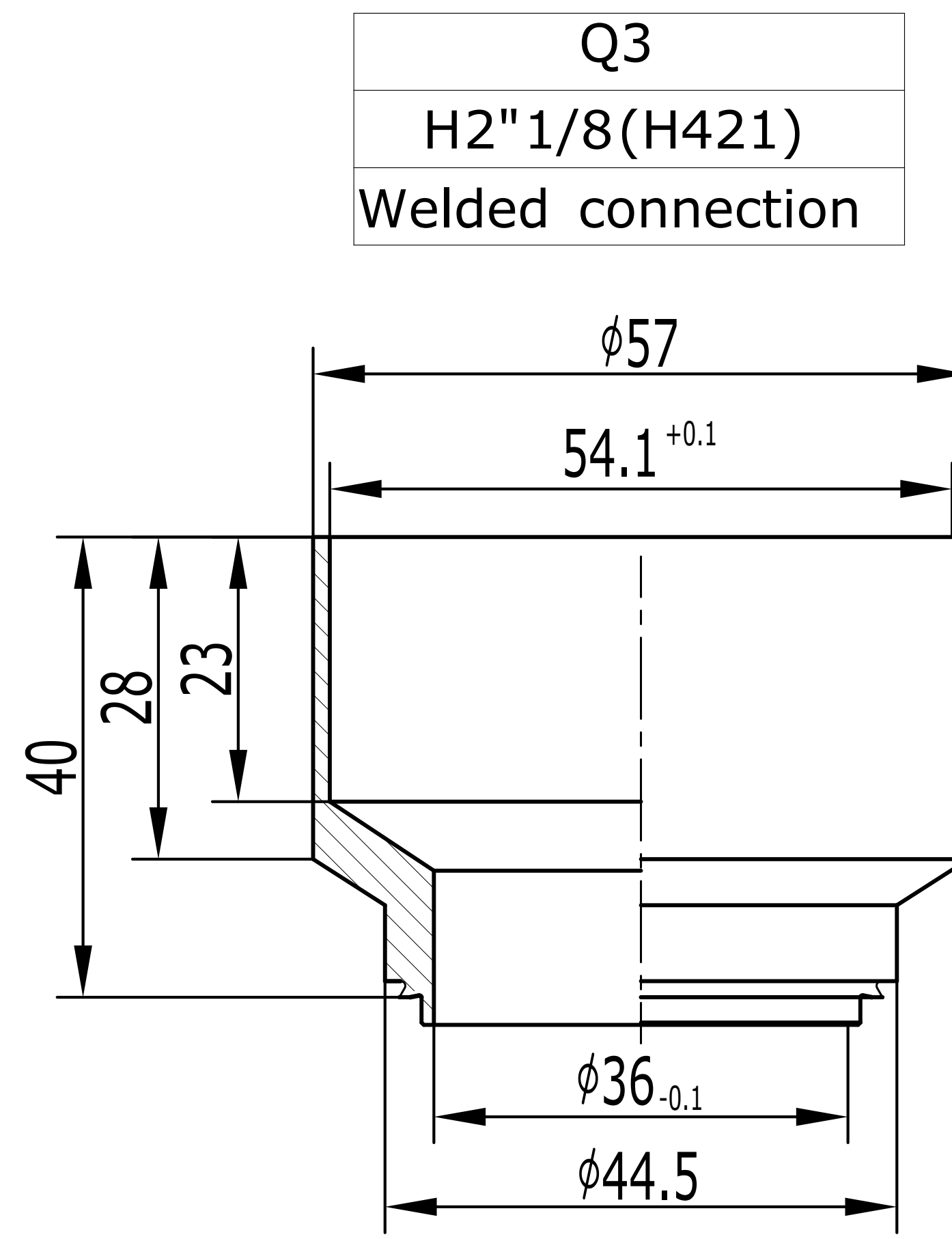
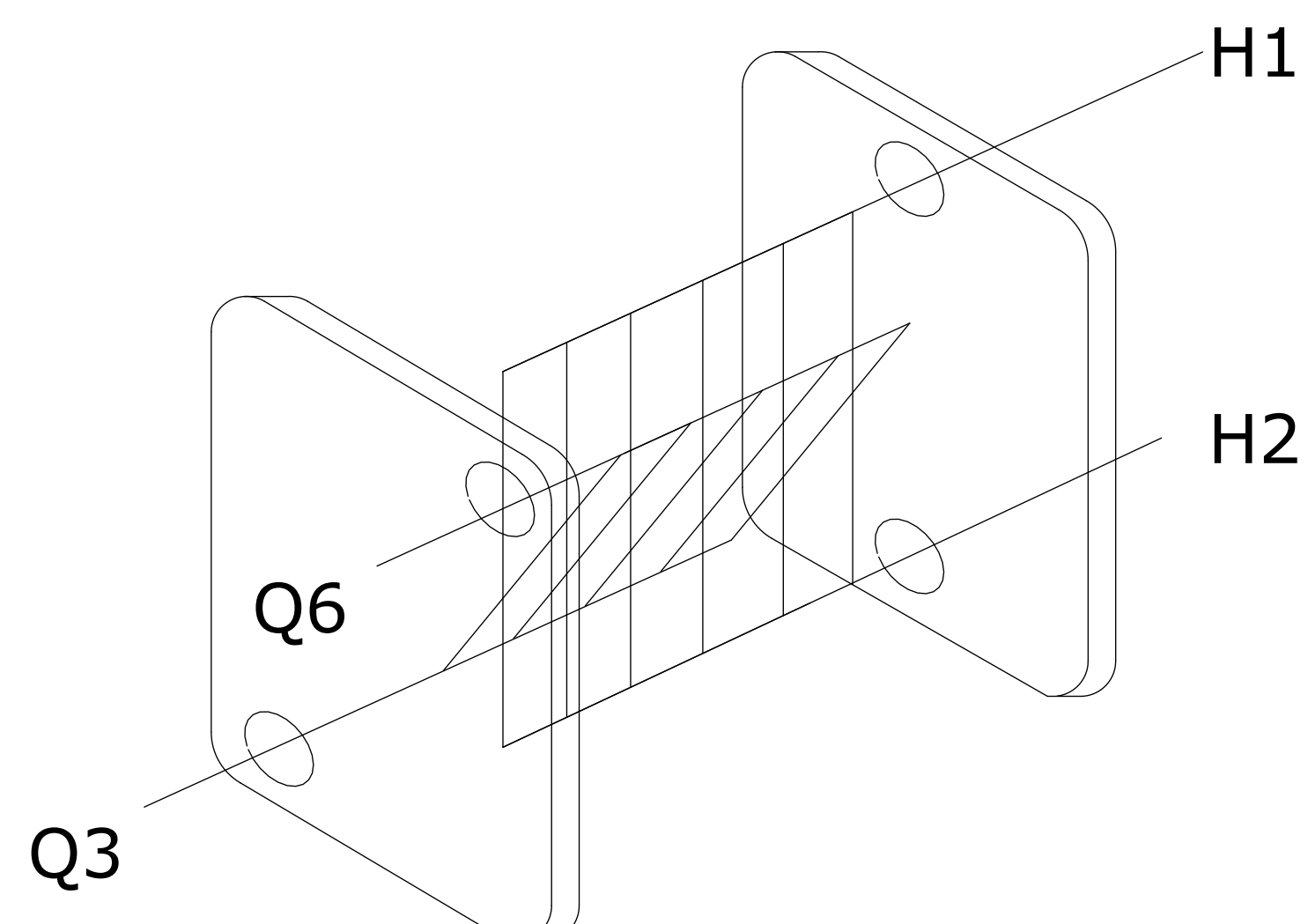
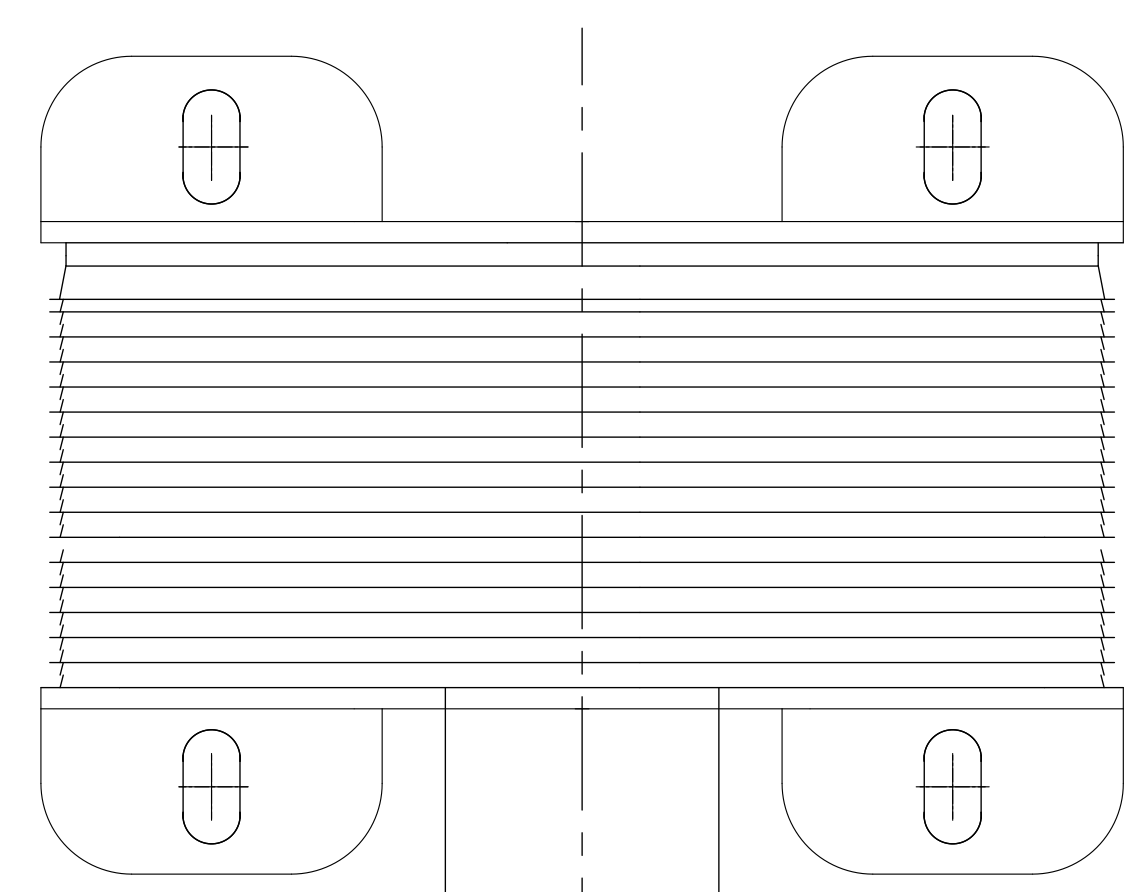


CONTROLLED



ID	RIDAN Code	Drawing No.	Model	Plates(n)	A
1	111B0396R	23020339	210	120	321

		DESIGN DATA				
DESIGN PRESSURE		3.0MPa				
TEST PRESSURE		4.5MPa				
DESIGN TEMPERATURE		-196/+225				
LEAKAGE TEST		Helium Test				
WEIGHT		101Kg				
VOLUM		H1H2: 30.0L Q3Q6: 29.5L				
PLATE MATERIAL		316L				
PIPE MATERIAL		304				
FRAME MATERIAL		304				
Assembly drawing	DEPARTMENT	Sales Department	DATE	SCALE		
	DESIGNER	JLN	2024/10/17			
	INSPECTOR	ZJF				
	APPROVAL					
DRAWING NO.					23020339	REV 1
DESIGNATION:					RD-210-120-3,0-HQ-Q3(H2"1/8)/Q6(H3"1/8)/H1H2(H3"1/8)/12- M10*25	