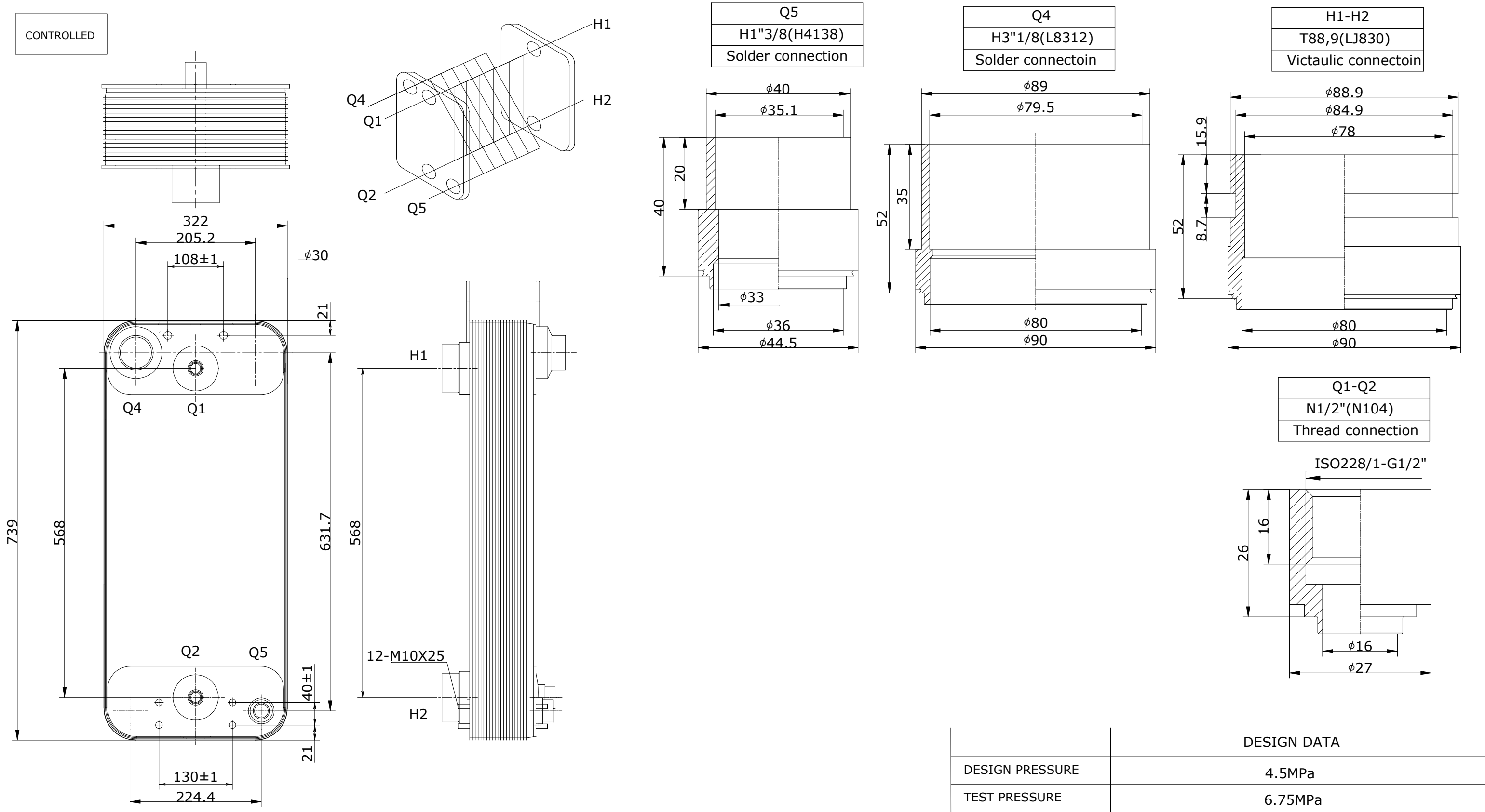


CONTROLLED



ID	RIDAN Code	Drawing No.	Model	Plates(n)	A	Weight	Volume
1	111B0346R	23021366-01	210	134	358	114.426Kg	Q4Q5:33L/Q1Q2H1H2:32.5L
2	111B0347R	23021366-02	210	194	514	159.066Kg	Q3Q6:48L/Q1Q2H1H2:48.5L
3	111B0348R	23021366-03	210	158	420	132.282Kg	Q3Q6:39L/Q1Q2H1H2:39.5L
4	111B0349R	23021366-04	210	174	462	144.186Kg	Q3Q6:43L/Q1Q2H1H2:43.5L
5	111B0350R	23021366-05	210	182	483	150.138Kg	Q3Q6:45L/Q1Q2H1H2:45.5L

		DESIGN DATA			
DESIGN PRESSURE		4.5MPa			
TEST PRESSURE		6.75MPa			
DESIGN TEMPERATURE		-196/+225			
LEAKAGE TEST		Helium Test			
PLATE MATERIAL		316L			
PIPE MATERIAL		304			
FRAME MATERIAL		304			
Assembly drawing	DEPARTMENT	Sales Department	DATE	SCALE	 <b>ридан</b>
	DESIGNER	JLN	2024/11/06		
	INSPECTOR	ZJF			
	APPROVAL	FL			
		DESIGNATION:	RD-210-n-4,5-HQ-Q1Q2(N1/2") /Q5(H1"3/8)/Q4(H3"1/8)/H1H2(T88,9)/12-M10x25		
		DRAWING NO.	23021366	REV.	1