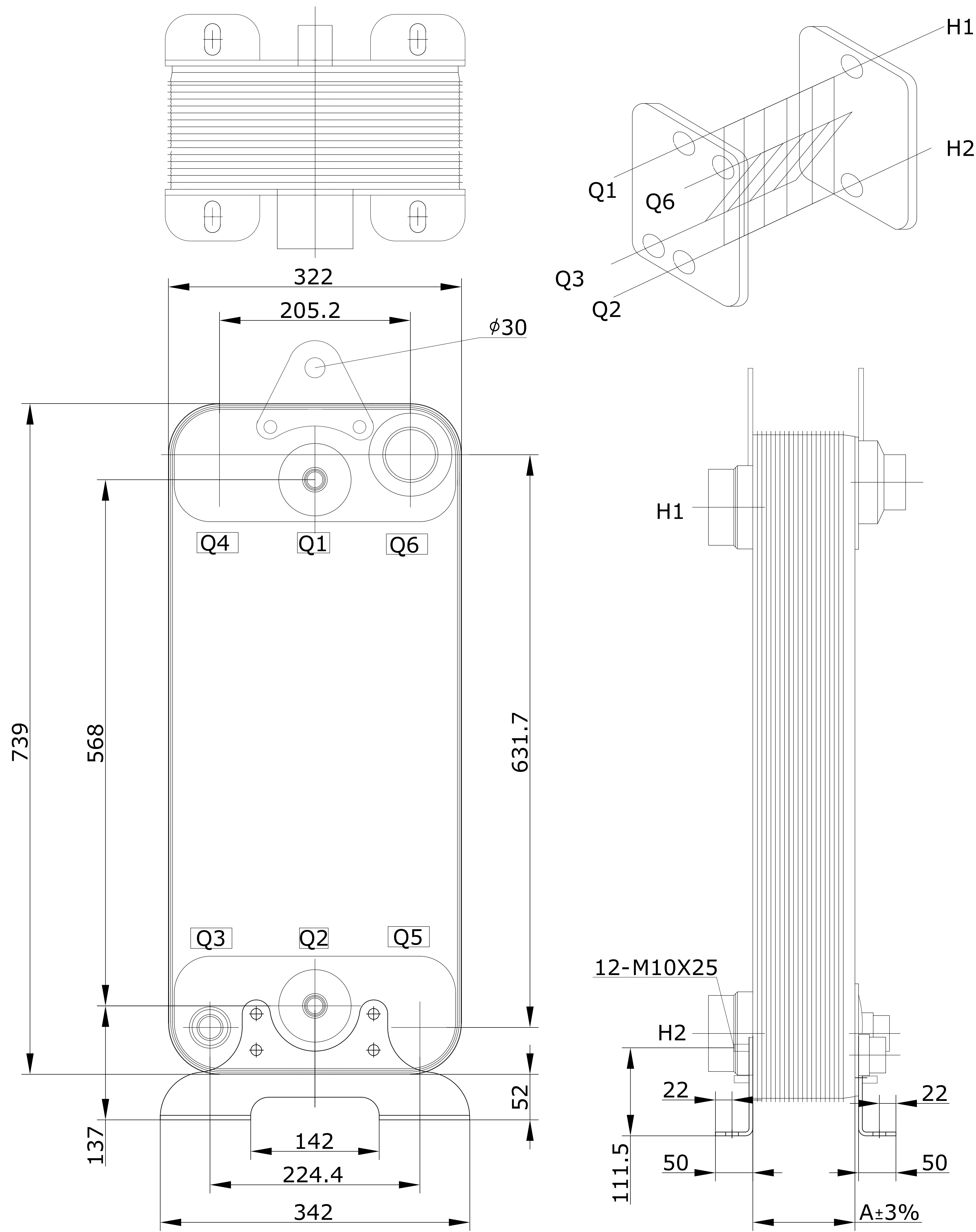
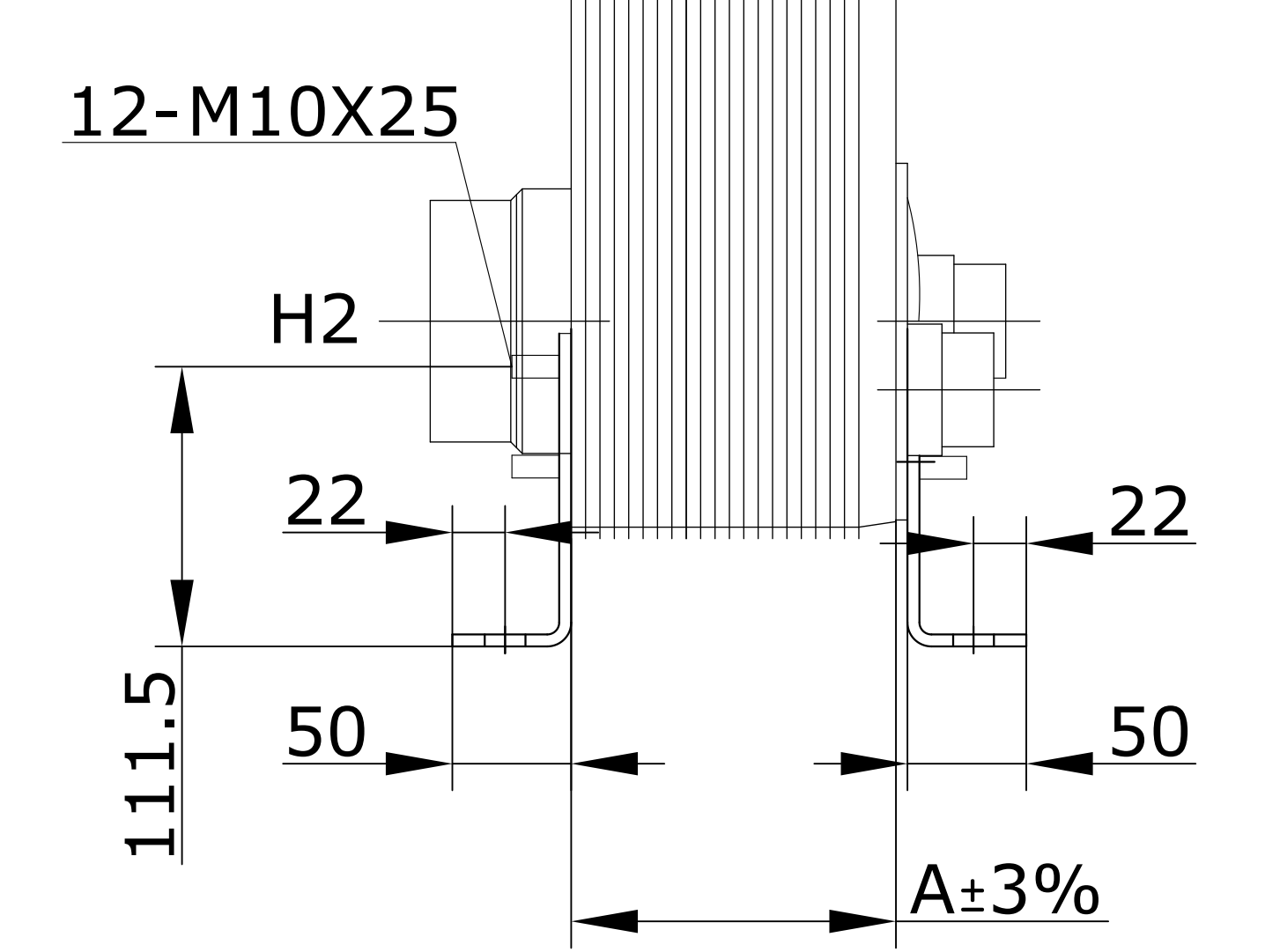
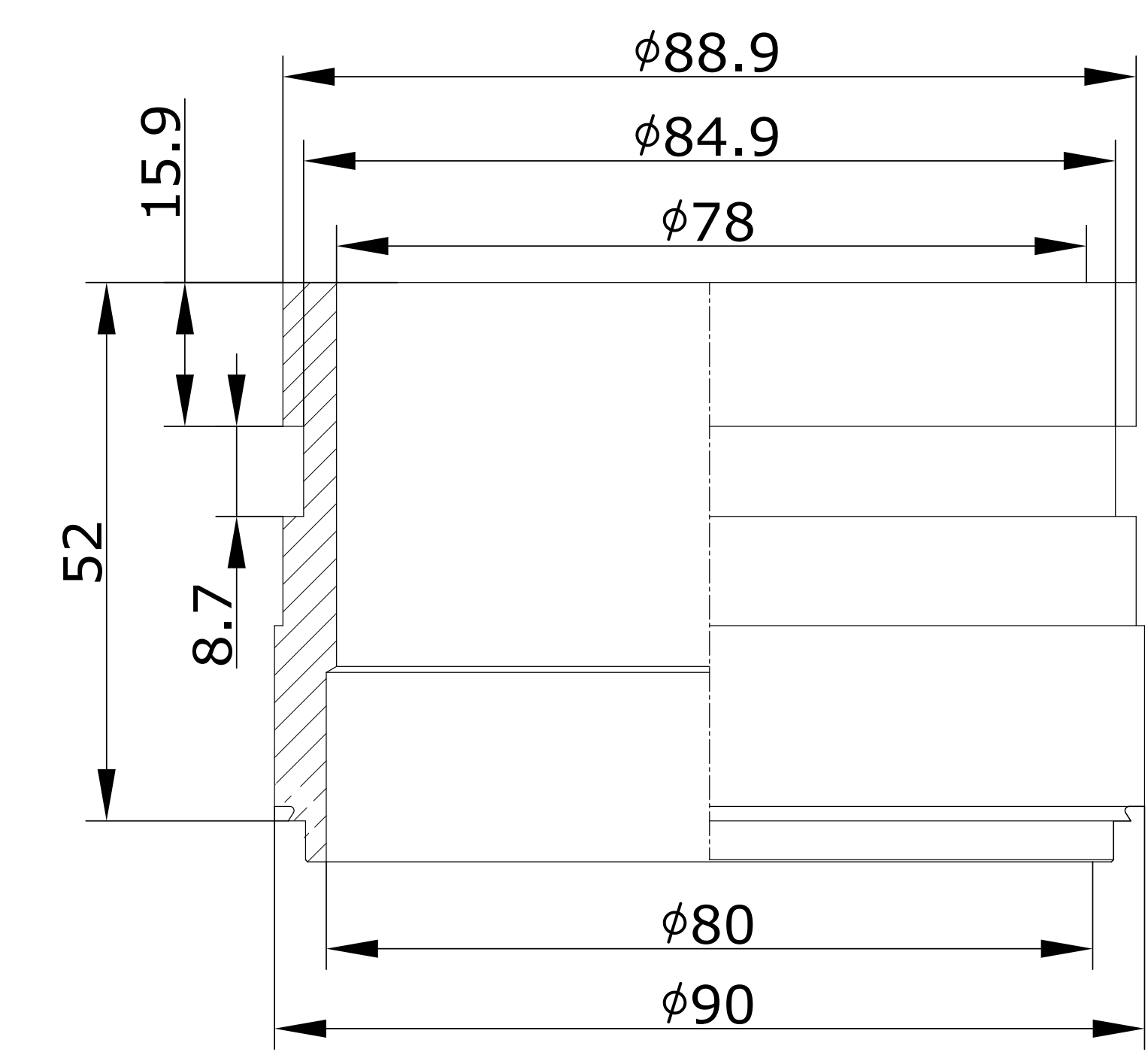
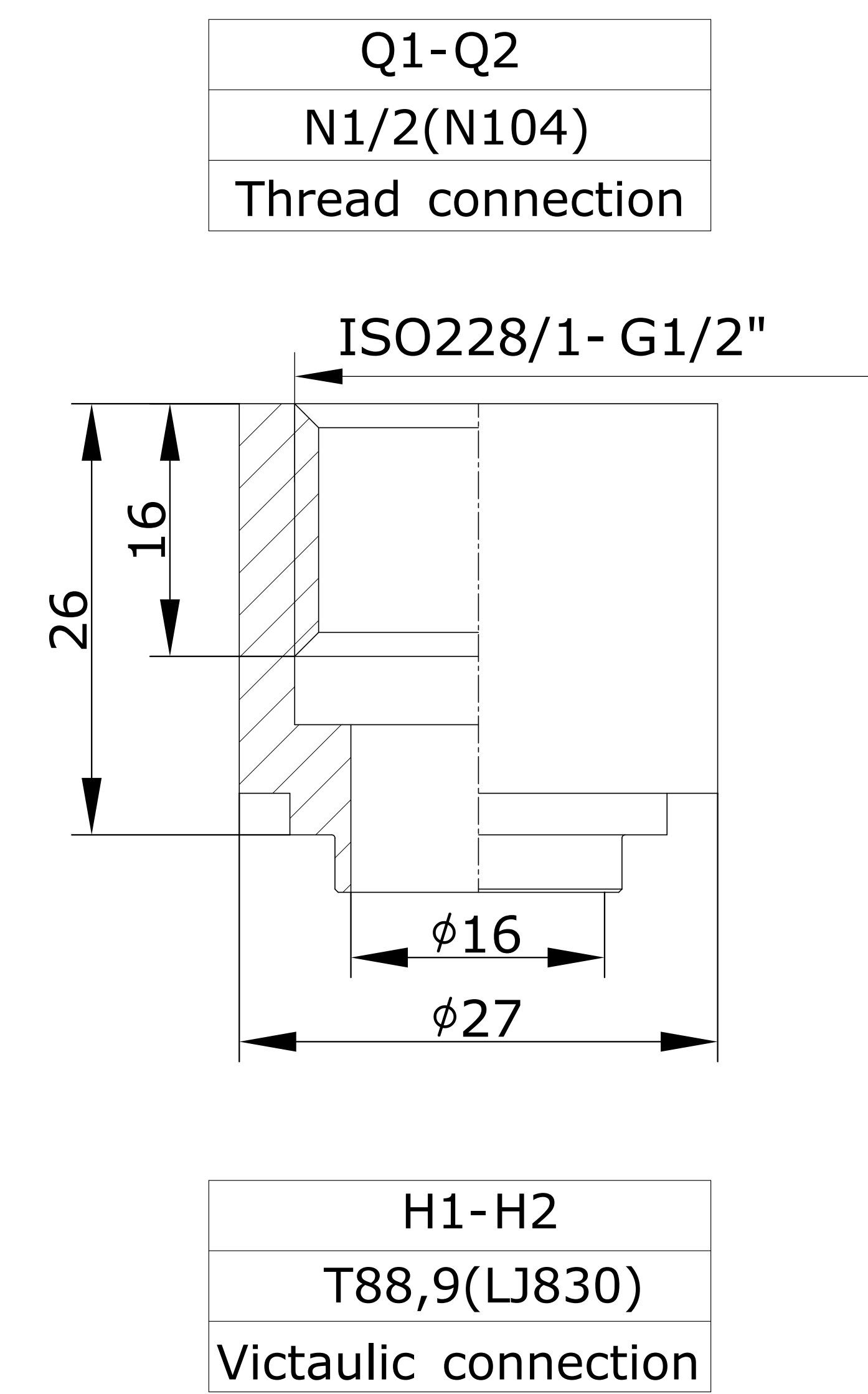
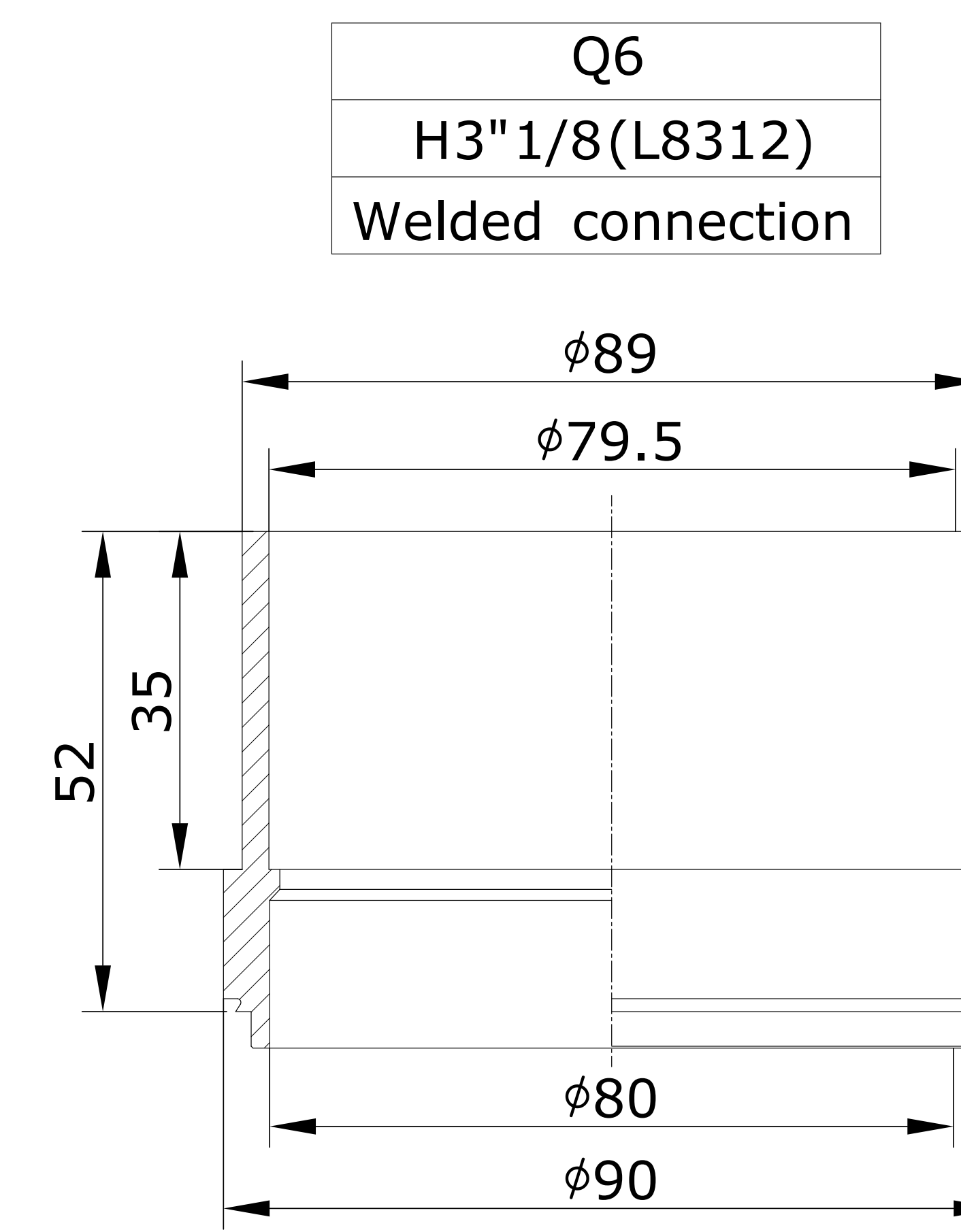
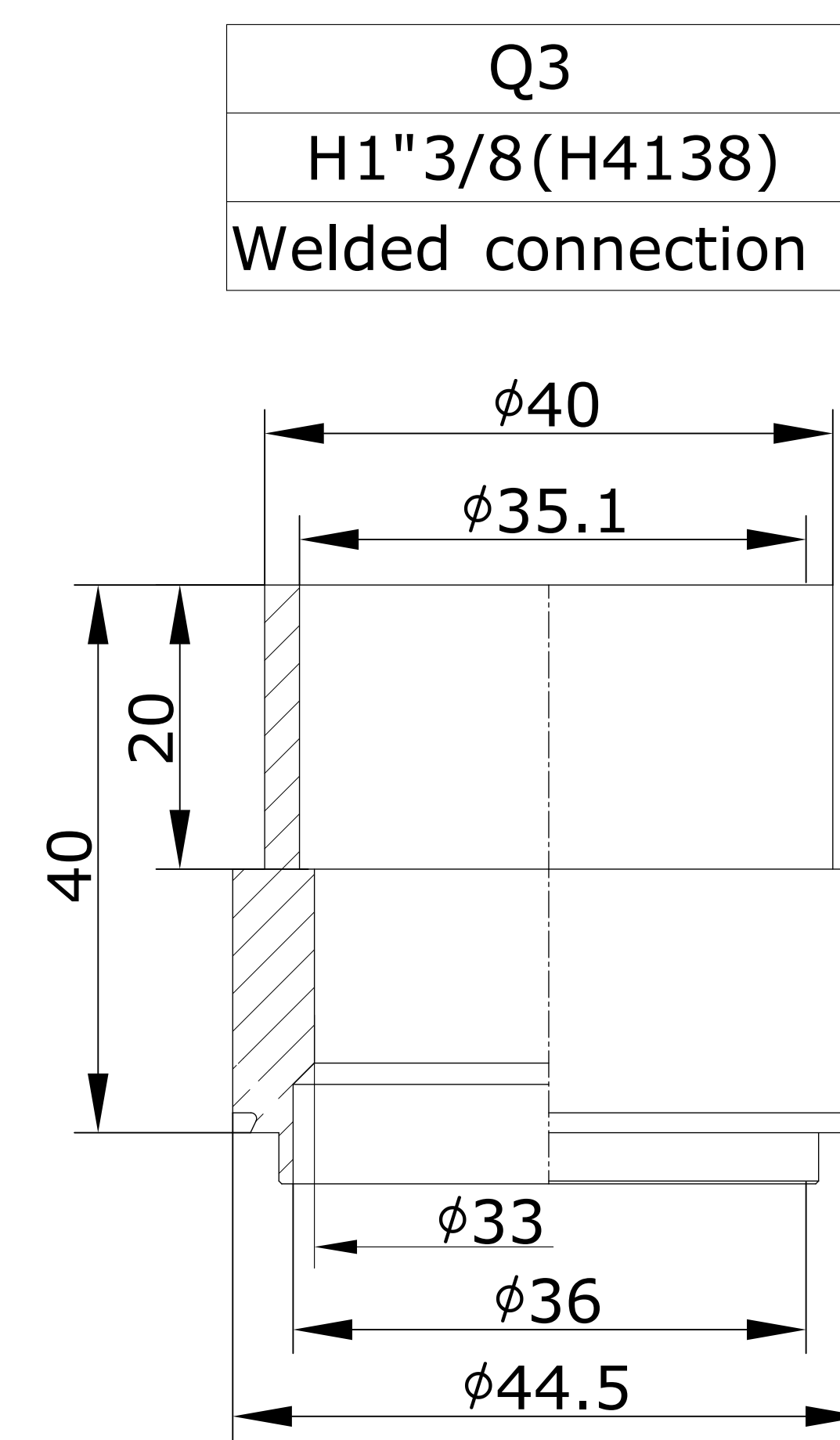


CONTROLLED



ID	RIDAN Code	Drawing No.	Model	Plates(n)	A
1	111B0375R	23020342	210	134	358



		DESIGN DATA		
DESIGN PRESSURE		4.5MPa		
TEST PRESSURE		6.75MPa		
DESIGN TEMPERATURE		-196/+225		
LEAKAGE TEST		Helium Test		
WEIGHT		112.068Kg		
VOLUM		Q1Q2H1H2: 33.5L		
		Q3Q6: 33.0L		
PLATE MATERIAL		316L		
PIPE MATERIAL		304		
FRAME MATERIAL		304		
Assembly drawing	DEPARTMENT	Sales Department	DATE	 <b>ридан®</b> RD-210-134-4,5-HQ-Q1Q2(N1/2)/ DESIGNATION: Q3(H1"3/8)/Q6(H3"1/8)/ H1H2(T88,9)/12- M10*25
	DESIGNER	JLN	2024/10/17	
	INSPECTOR	ZJF		
	APPROVAL			
		DRAWING NO.	23020342	REV 1