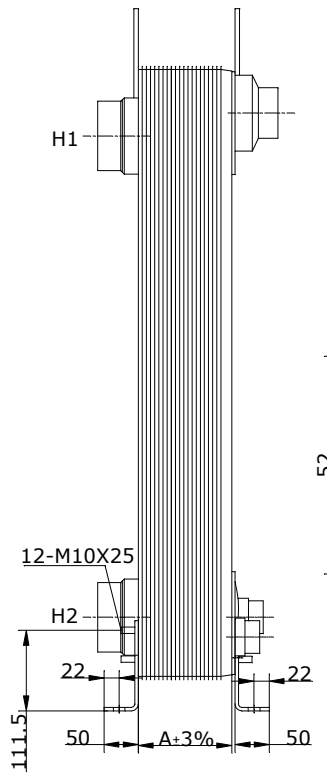
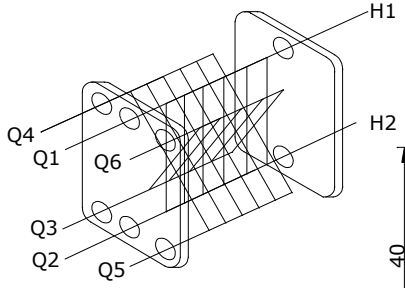
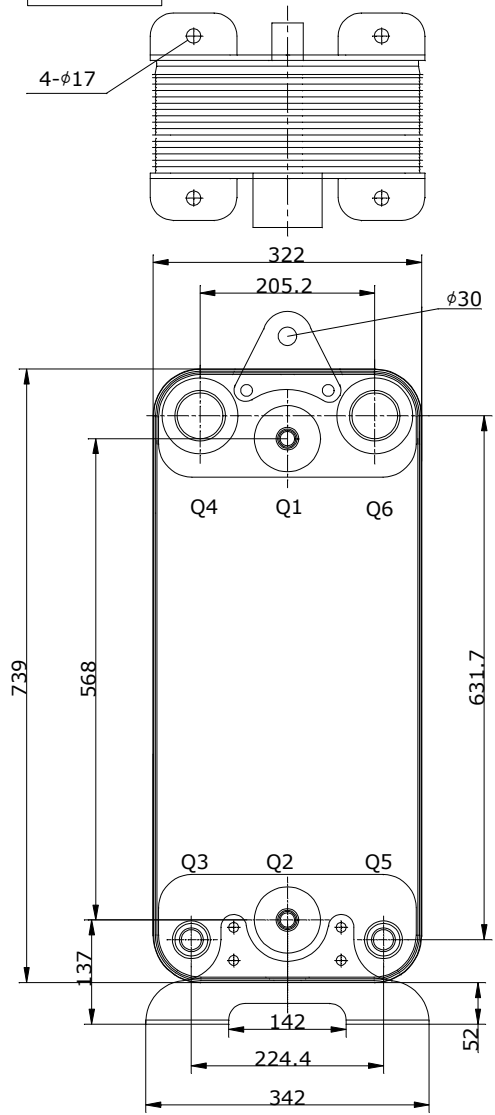
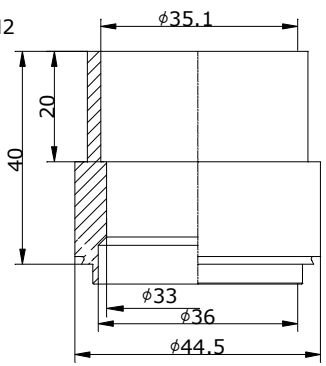


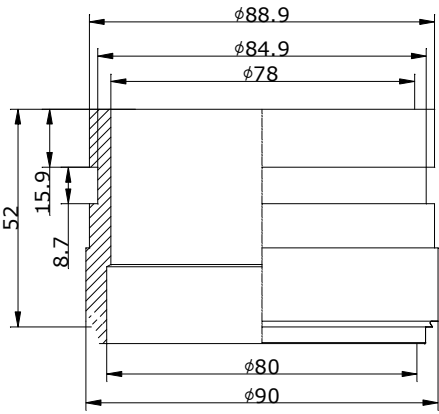
CONTROLLED



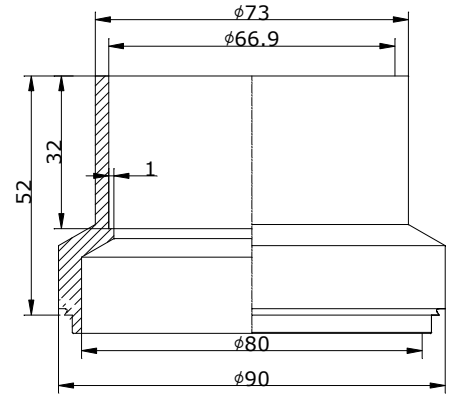
Q3-Q5
H1"3/8(H4138)
Solder connection



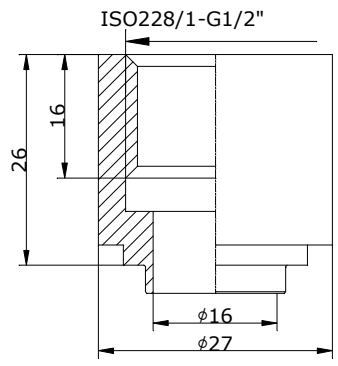
H1-H2
T88,9(LJ830)
Victaulic connection



Q4-Q6
H2"5/8(L825)
Solder connection



Q1-Q2
N1/2(N104)
Thread connection



ID	RIDAN Code	Drawing No.	Model	Plates(n)	A	Weight	Volume
1	111B0367R	2305522-01	210	170	452	137.4Kg	Q1Q2H1H2:42.5/ Q3Q5Q4Q6:20.75L
2	111B0368R	2305522-02	210	150	400	123Kg	Q1Q2H1H2:37.5/ Q3Q5Q4Q6:18.25L
3	111B0369R	2305522-03	210	138	368	114.36Kg	Q1Q2H1H2:34.5/ Q3Q5Q4Q6:16.75L

		DESIGN DATA		
DESIGN PRESSURE		4.5MPa		
TEST PRESSURE		6.75MPa		
DESIGN TEMPERATURE		-196/+225		
LEAKAGE TEST		Helium Test		
PLATE MATERIAL		316L		
PIPE MATERIAL		304		
FRAME MATERIAL		304		
Assembly drawing	DEPARTMENT	Sales Department	DATE	SCALE
	DESIGNER	JLN	2023/02/07	
	INSPECTOR	ZJF		
	APPROVAL	FL		DRAWING NO.
		 RD-210-n-4,5-HDQ-Q1Q2(N1/2)/Q3Q5(H1"3/8)/Q4Q6(H2"5/8)/H1H2(T88,9)/12-M10*25 DESIGNATION:		
		2305522		REV. 1