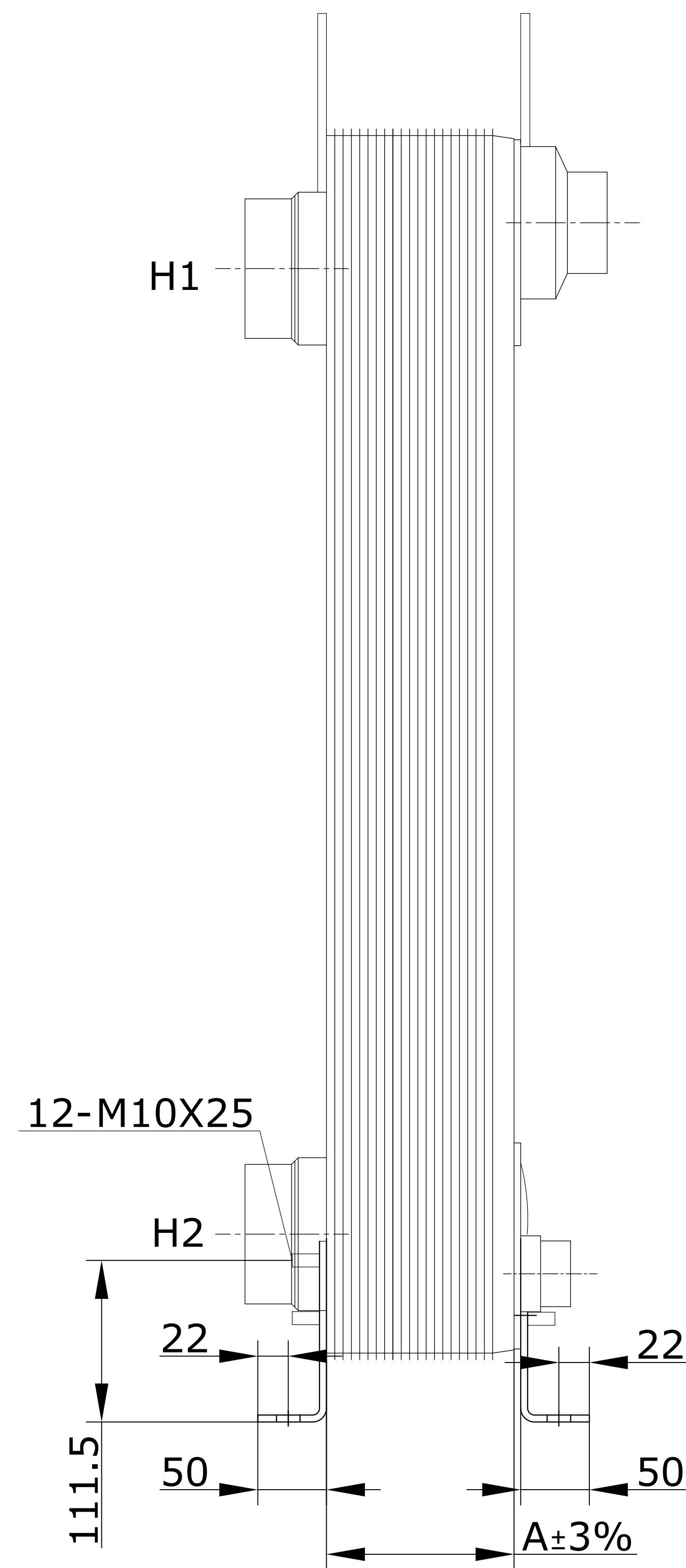
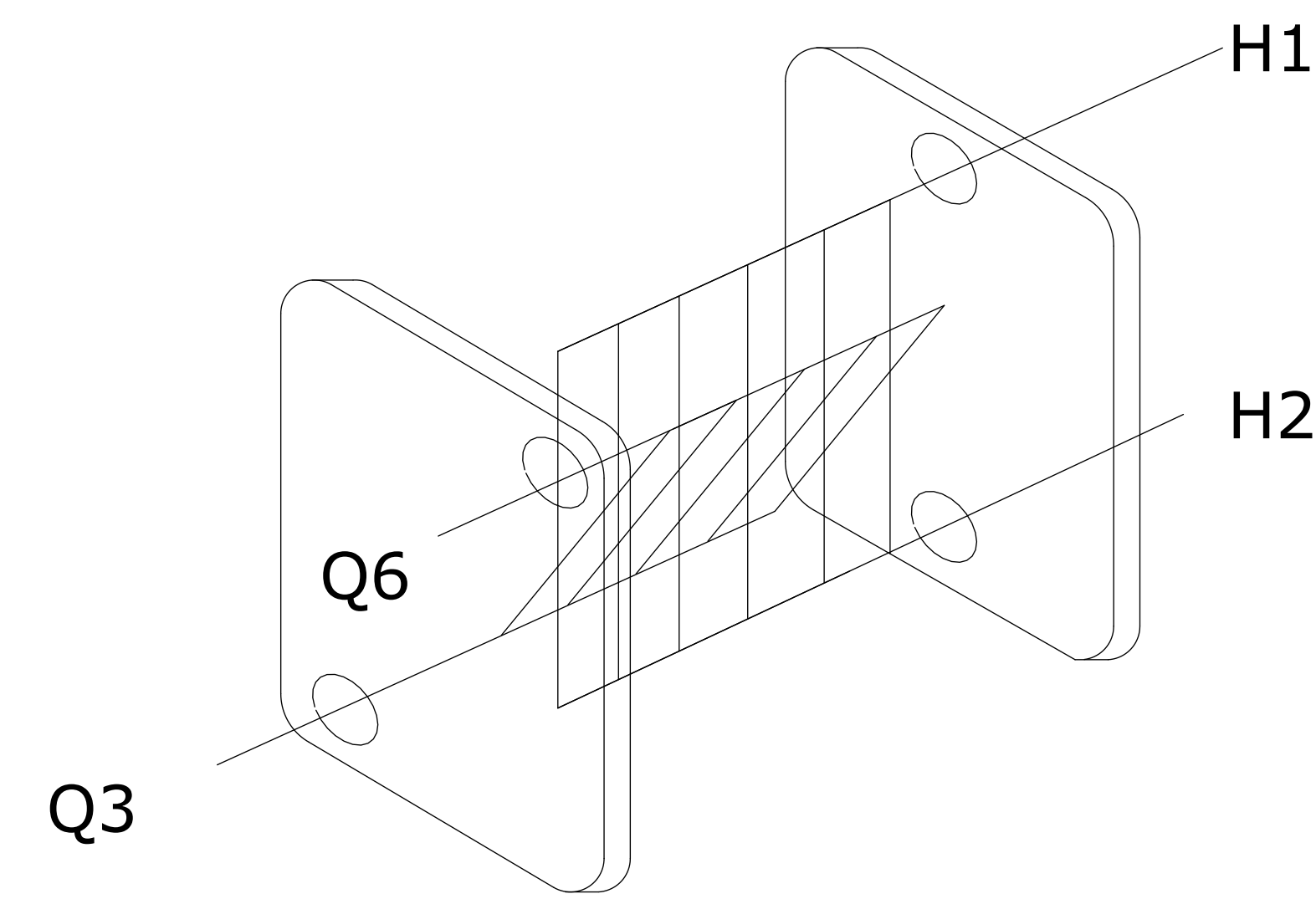
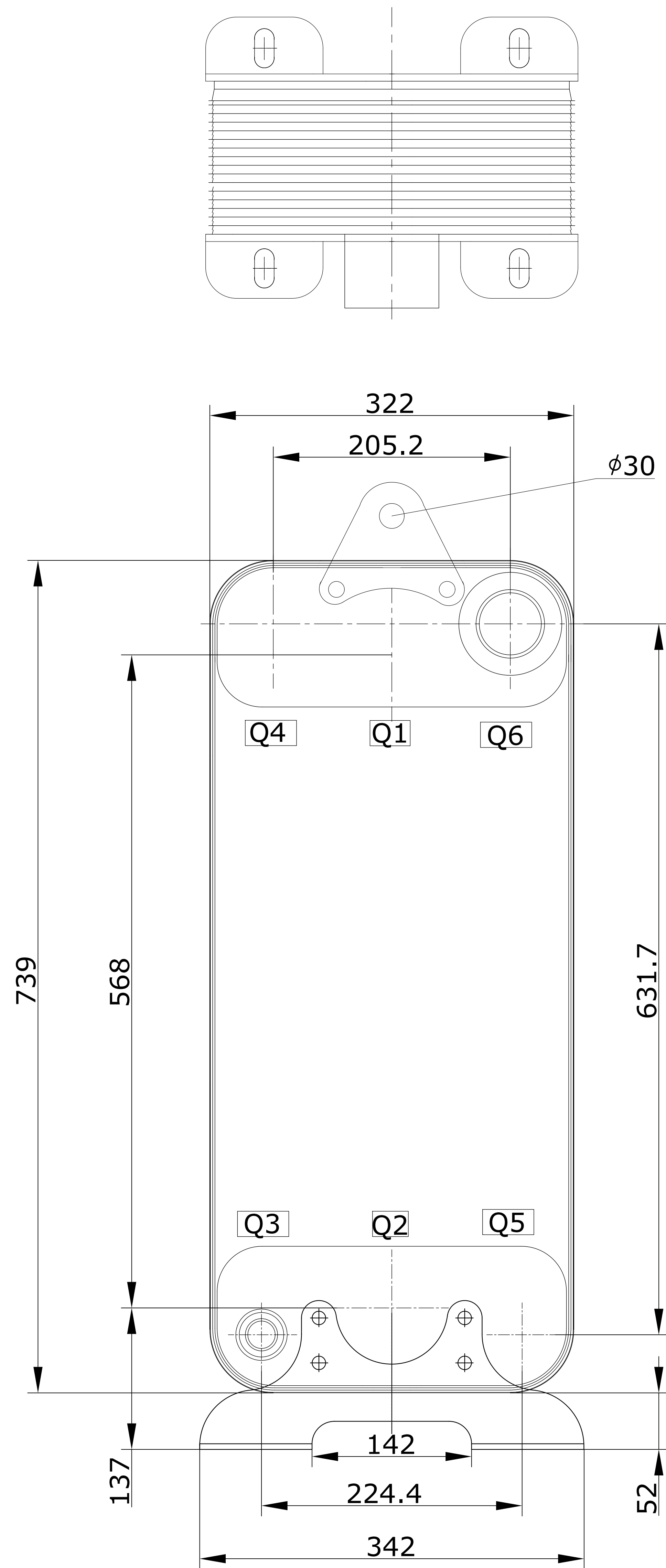
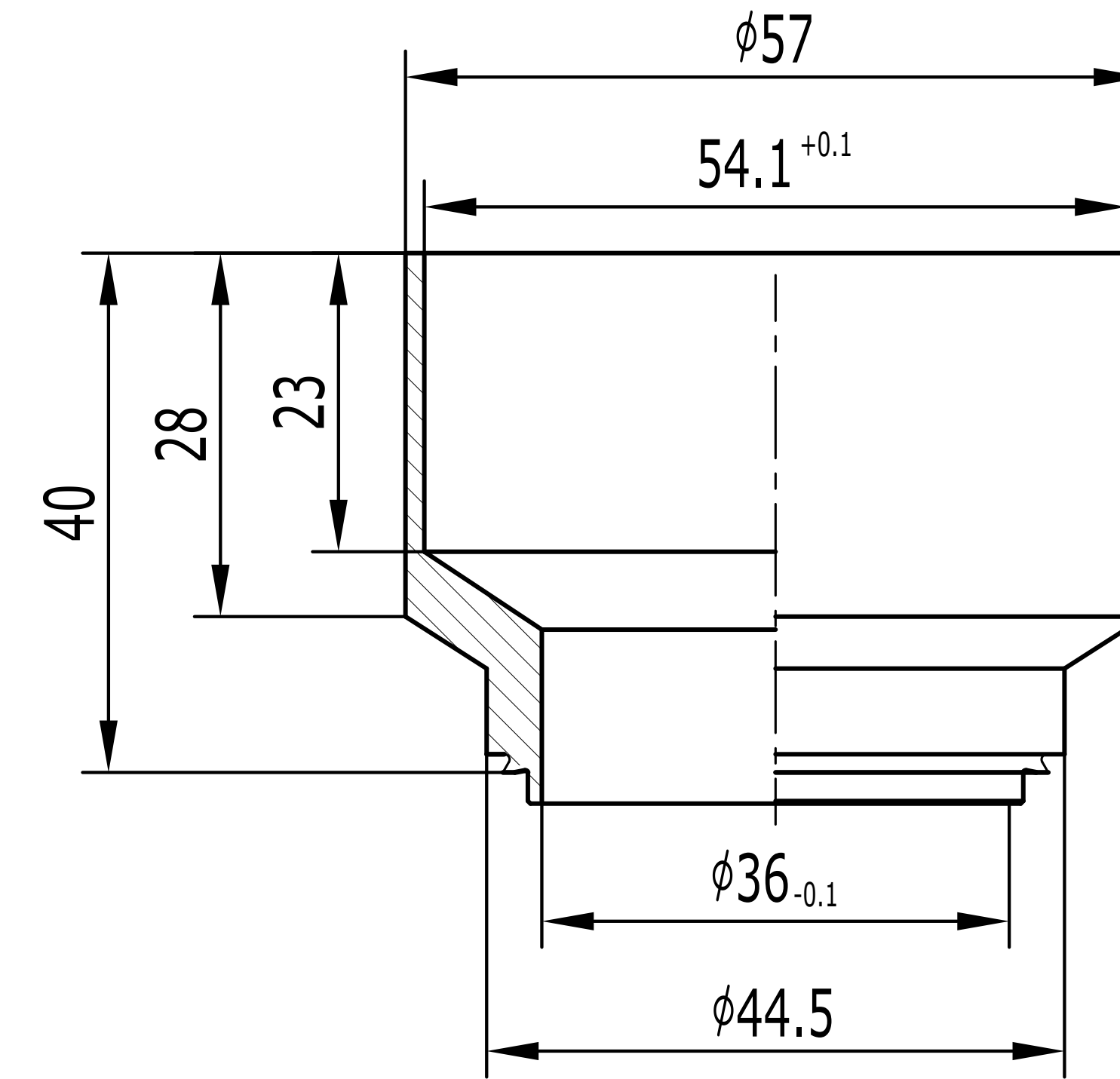


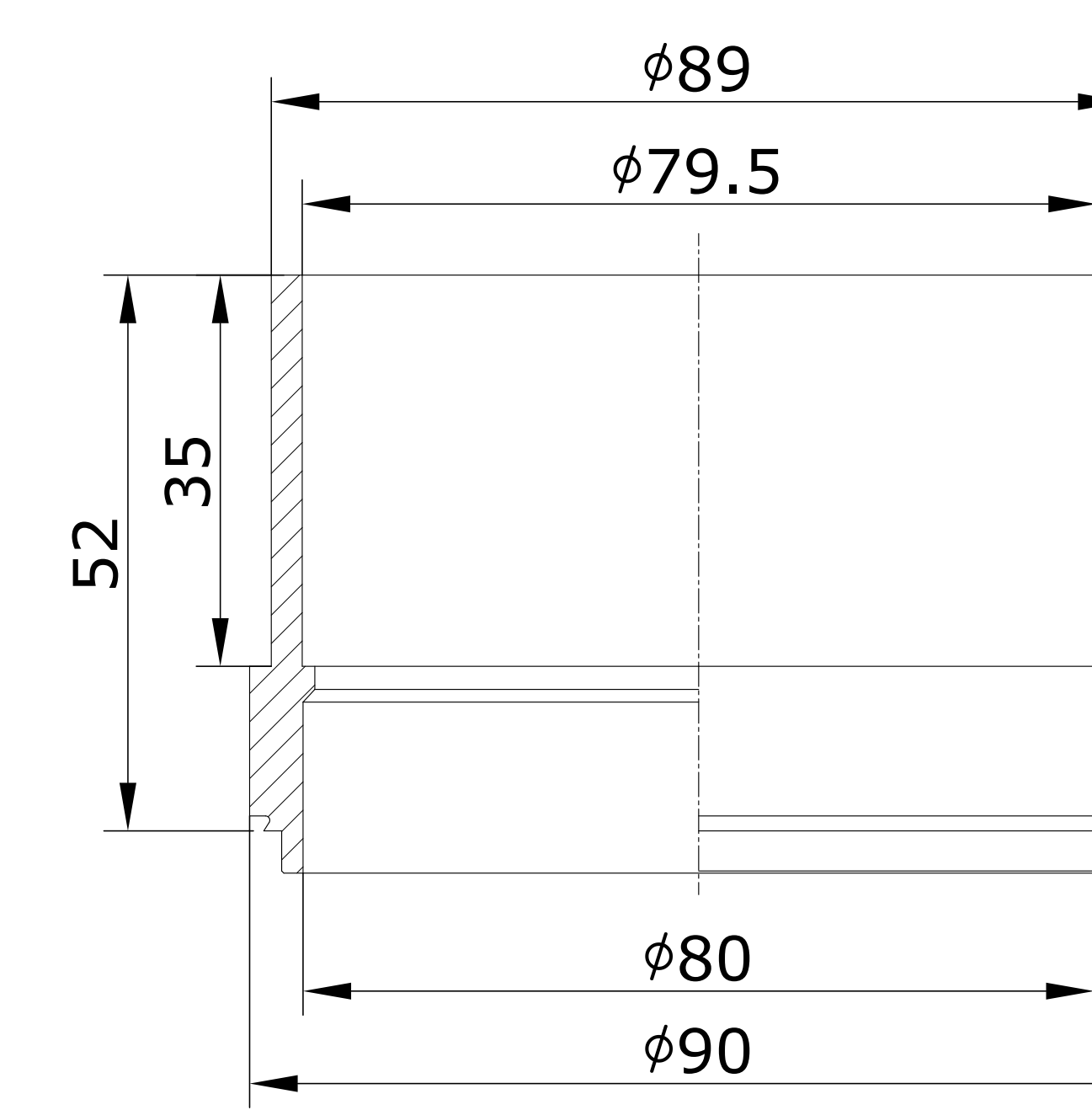
CONTROLLED



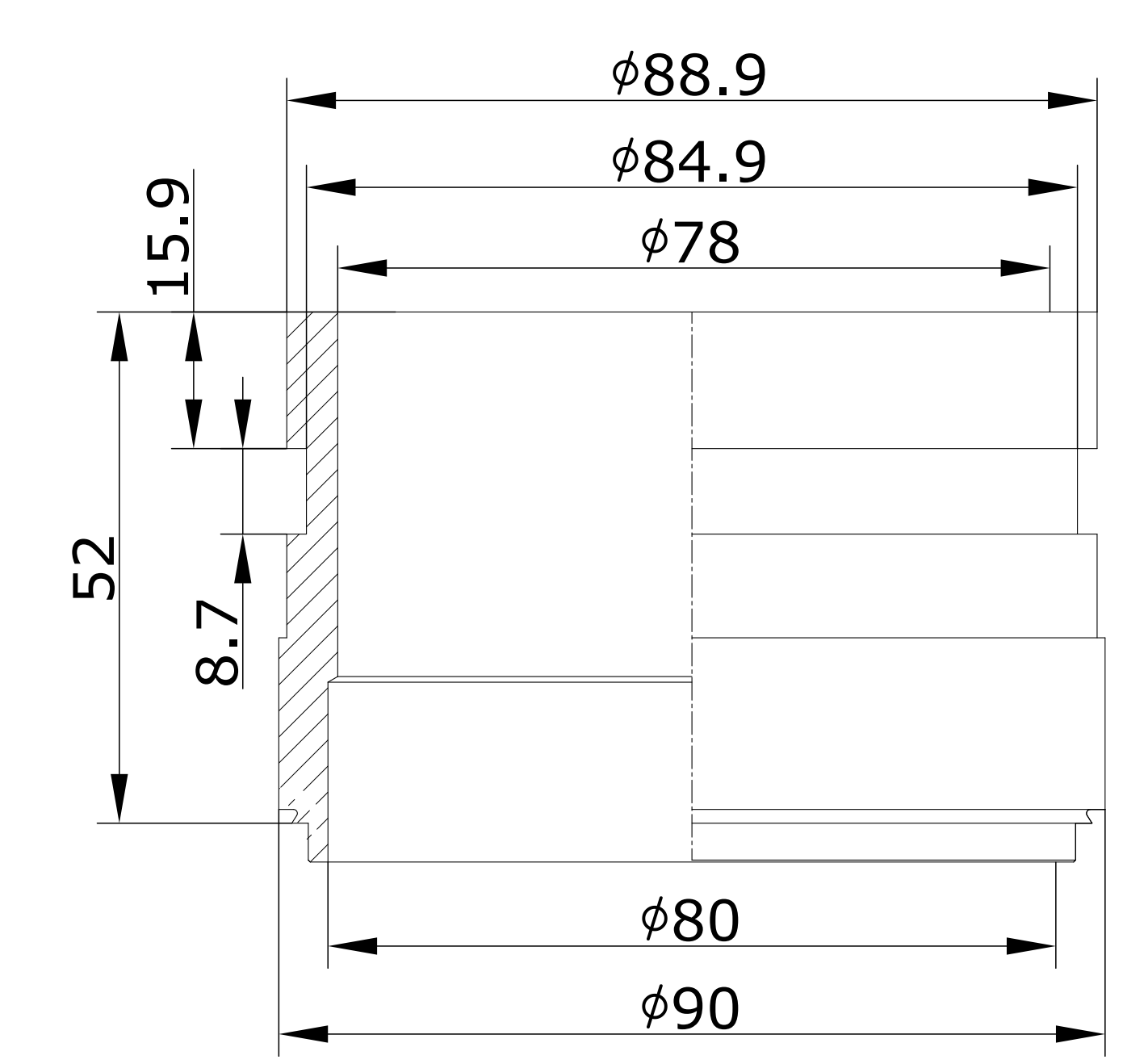
Q3
H2" 1/8 (H421)
Welded connection




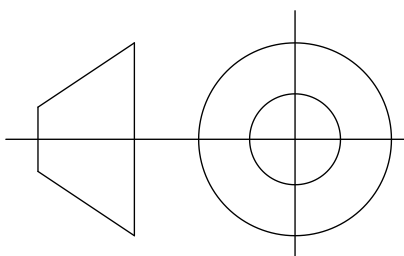
Q6
H3" 1/8 (L8312)
Solder connection



H1-H2
H3" 1/8 (LJ830)
Victaulic connection



ID	RIDAN Code	Drawing No.	Model	Plates(n)	A
1	111B0384R	23020343	210	144	384

		DESIGN DATA				
DESIGN PRESSURE		3.0MPa				
TEST PRESSURE		4.5MPa				
DESIGN TEMPERATURE		-196/+225				
LEAKAGE TEST		Helium Test				
WEIGHT		115.98Kg				
VOLUM		H1H2: 36.0L				
		Q3Q6: 35.5L				
PLATE MATERIAL		316L				
PIPE MATERIAL		304				
FRAME MATERIAL		304				
Assembly drawing	DEPARTMENT	Sales Department	DATE	SCALE	 RD-210-144-3,0-HQ- H1H2Q6(H3"1/8)/ Q3(H2"1/8)/12- M10*25	
	DESIGNER	JLN	2024/10/17			
	INSPECTOR	ZJF				
	APPROVAL			DRAWING NO.		23020343