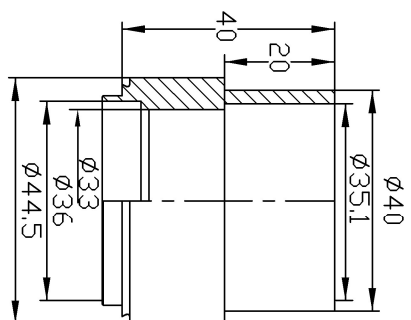


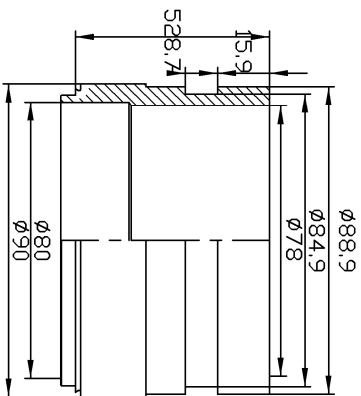
Note: Add feet

ID	RIDAN Code	Drawing No	Model	Plates(n)	A
1	021B8238R	2307011	210	194	514

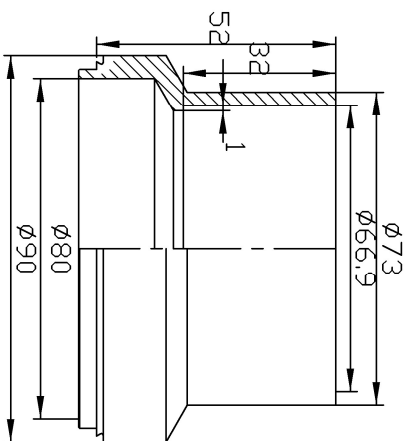
Q3-Q5
H1 3/8(LH4138)
Solder
connection



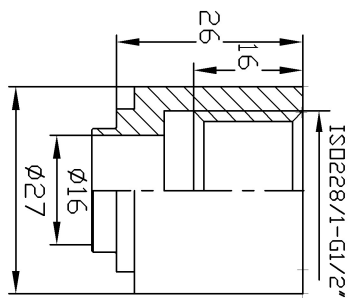
H1-H2
H3 1/8(LH830)
Solder
connection



Q4-Q6
H2 5/8(LB25)
Solder
connection



Q1-Q2
N1 2(N104)
Thread
connection



DESIGN DATA

DESIGN PRESSURE	4.5MPa
TEST PRESSURE	6.75MPa
DESIGN TEMPERATURE	-196/+225
LEAKAGE TEST	Helium Test
WEIGHT	162Kg
VOLUME	H1H2: 48.5L
PLATE MATERIAL	Q306: 23.75L; Q405: 23.75L
PIPE MATERIAL	304
FRAME MATERIAL	304

Assembly drawing		DATE		SCALE	
DESIGNER	JLN	2022/07/14	RD-210-194-4.5-HD0-0102(N)/2/		
INSPECTOR	ZJF		Q305(H)-3/8/6406(H2)/5/8/		
APPROVAL	FL		H1H2(H3)1/8/12-M10x25		
DRAWING NO.		2307011		REV 0	

