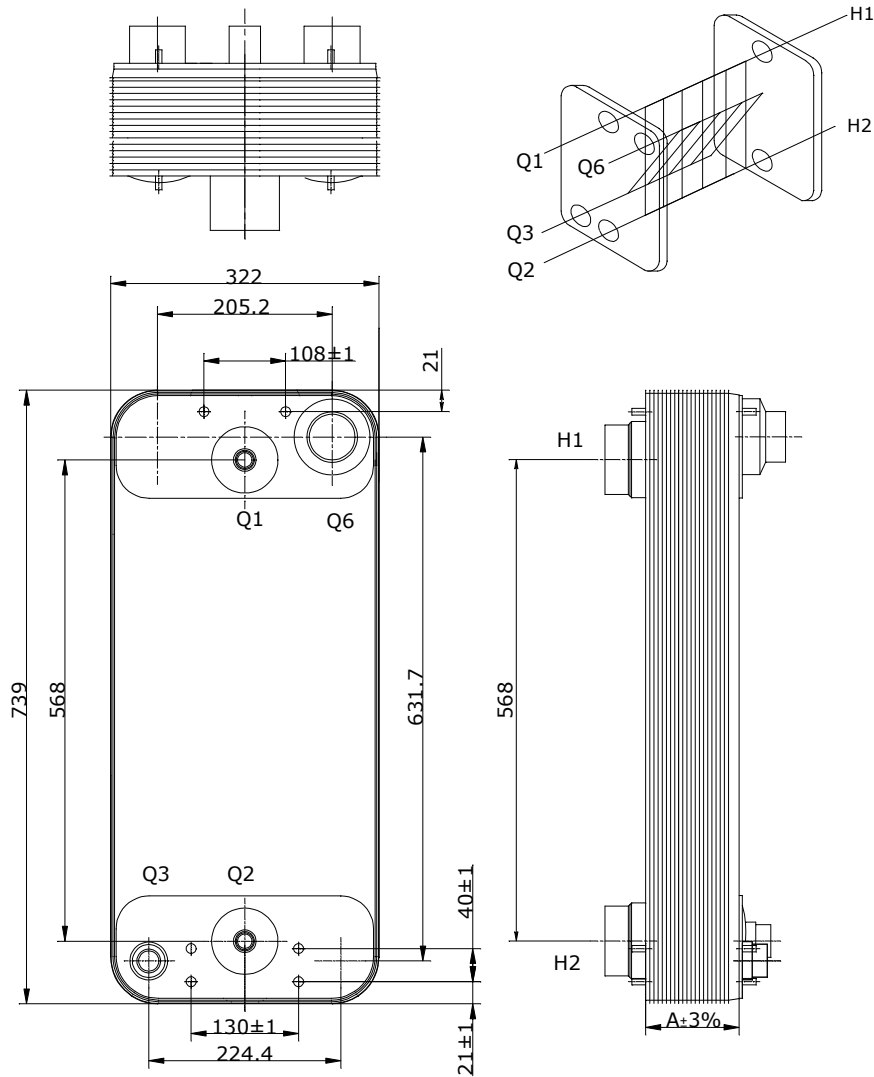
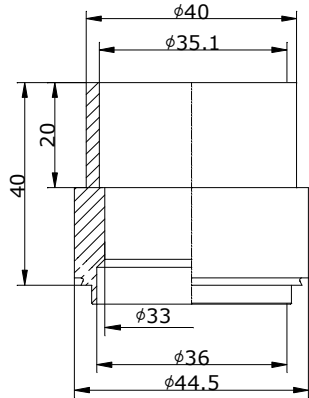


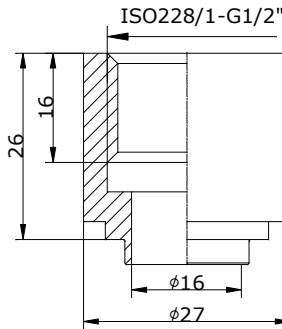
CONTROLLED



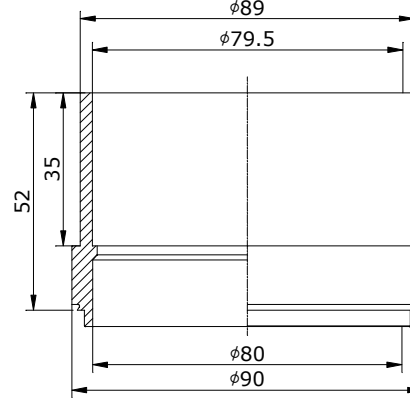
Q3
H1"3/8(H4138)
Solder connection



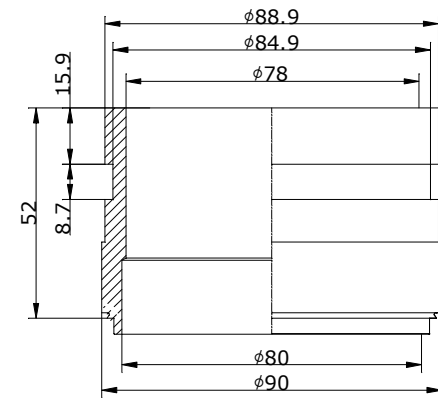
Q1-Q2
N1/2"(N104)
Thread connection



Q6
H3"1/8(L8312)
Solder connectoin



H1-H2
T88,9(LJ830)
Victaulic connectoin



ID	RIDAN Code	Drawing No.	Model	Plates(n)	A	Weight	Volume
1	111B0328R	23018072-01	210	134	358	117.402Kg	Q3Q6:33L/Q1Q2H1H2:32.5L
2	111B0329R	23018072-02	210	158	420	132.282Kg	Q3Q6:39L/Q1Q2H1H2:39.5L
3	111B0330R	23018072-03	210	174	462	141.21Kg	Q3Q6:43L/Q1Q2H1H2:43.5L
4	111B0331R	23018072-04	210	182	483	150.138Kg	Q3Q6:45L/Q1Q2H1H2:45.5L
5	111B0332R	23018072-05	210	194	514	159.066Kg	Q3Q6:48L/Q1Q2H1H2:48.5L

Note: 12-M10x25 bolts

		DESIGN DATA			
DESIGN PRESSURE		4.5MPa			
TEST PRESSURE		6.75MPa			
DESIGN TEMPERATURE		-196/+225			
LEAKAGE TEST		Helium Test			
PLATE MATERIAL		316L			
PIPE MATERIAL		304			
FRAME MATERIAL		304			
Assembly drawing	DEPARTMENT	Sales Department	DATE	SCALE	 RD-210-n-4,5-HQ-Q1Q2(N1/2")/Q3(H1"3/8)/Q6(H3"1/8)/H1H2(T88,9)/12-M10x25 DESIGNATION:
	DESIGNER	JLN	2024/08/28		
	INSPECTOR	ZJF			
	APPROVAL	FL			
DRAWING NO.		23018072		REV. 3	