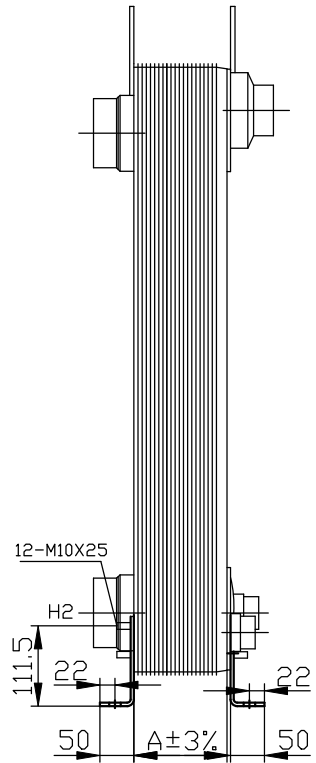
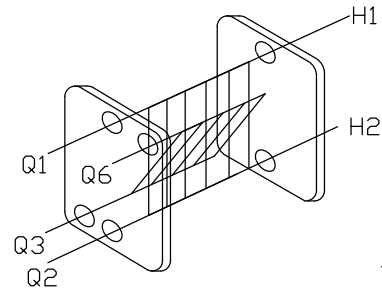
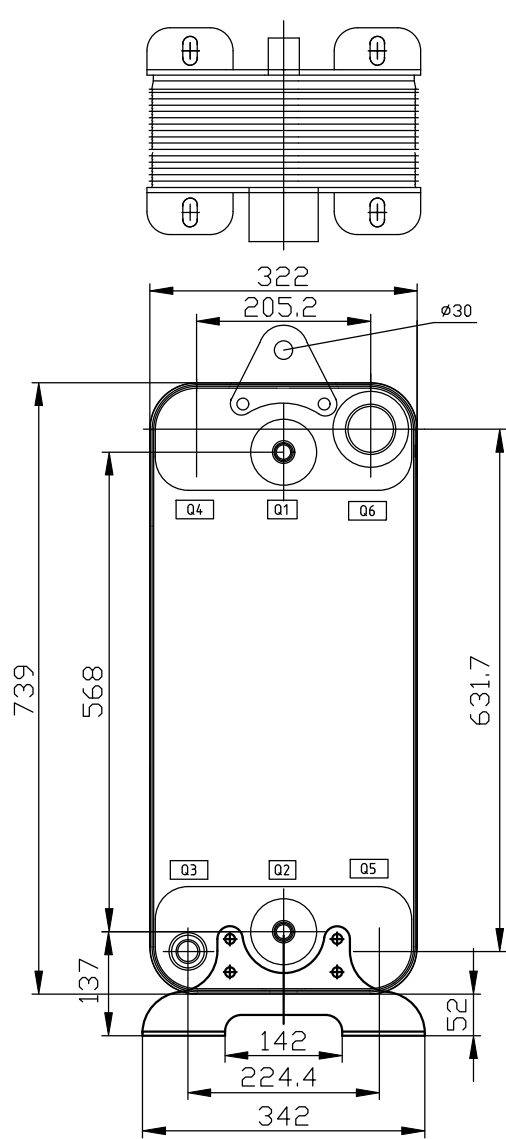
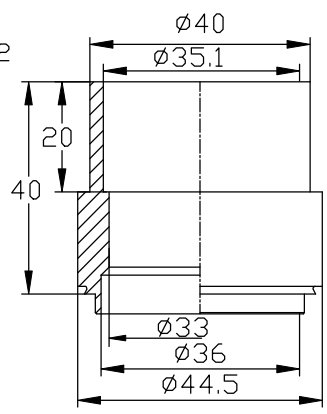


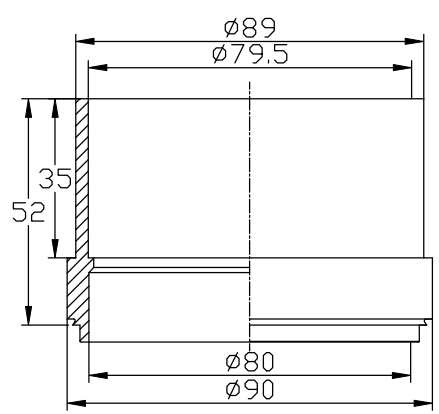
CONTROLLED



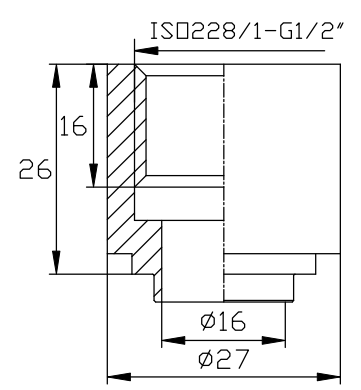
Q3
H1"3/8(H4138)
Welded connection



Q6-H1-H2
H3"1/8(L8312)
Welded connection



Q1-Q2
N1/2(N104)
Thread connection



DESIGN DATA	
DESIGN PRESSURE	4.5MP α
TEST PRESSURE	6.75MP α
DESIGN TEMPERATURE	-196/+225
LEAKAGE TEST	Helium test
WEIGHT	159.066Kg
VOLUME	H1H2:48.5L
	Q3Q6:48L
PLATE MATERIAL	316L
PIPE MATERIAL	304
FRAME MATERIAL	304

Assembly drawing	DEPARTMENT	Sales Department	DATE	SCALE		
	DESIGNER	JLN	2024/11/18			
	INSPECTOR	ZDL			DESIGNATION	RD210-194-4.5-HQ-Q1Q2(N1/2)/Q3(H1"3/8)/H1H2(H3"1/8)/12-M10*25
	APPROVAL	ZJF			DRAWING NO.	23021013

ID	RIDAN Code	Drawing No.	Model	Plates(n)	A
1	111B0358R	23021013	210	194	514