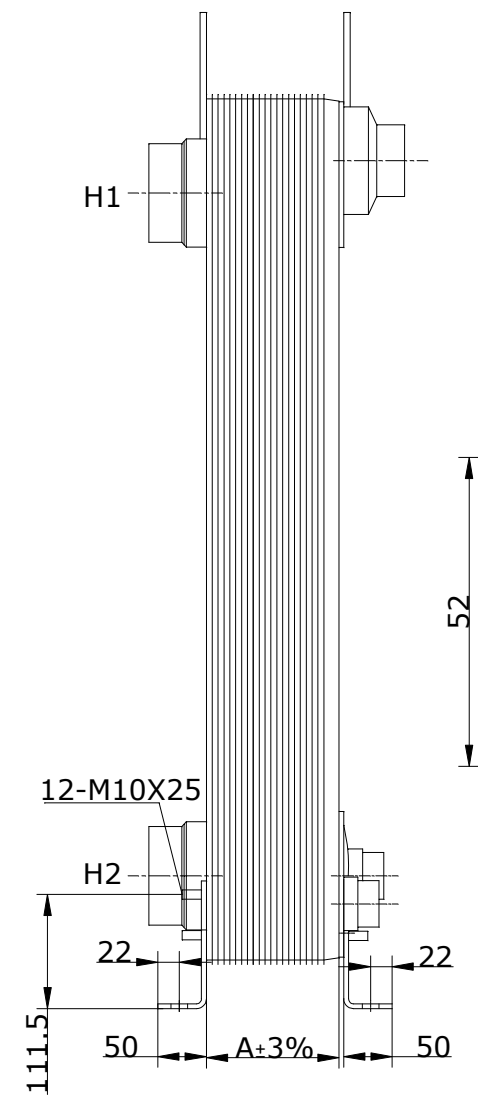
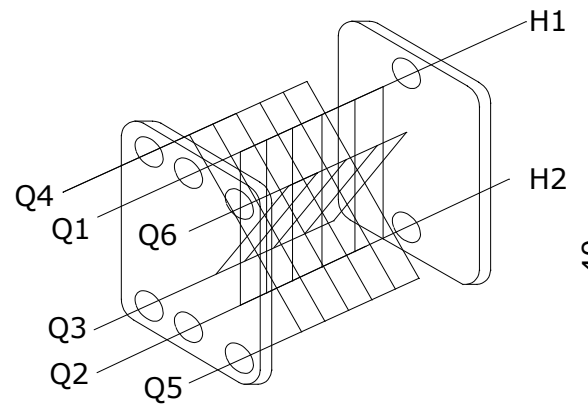
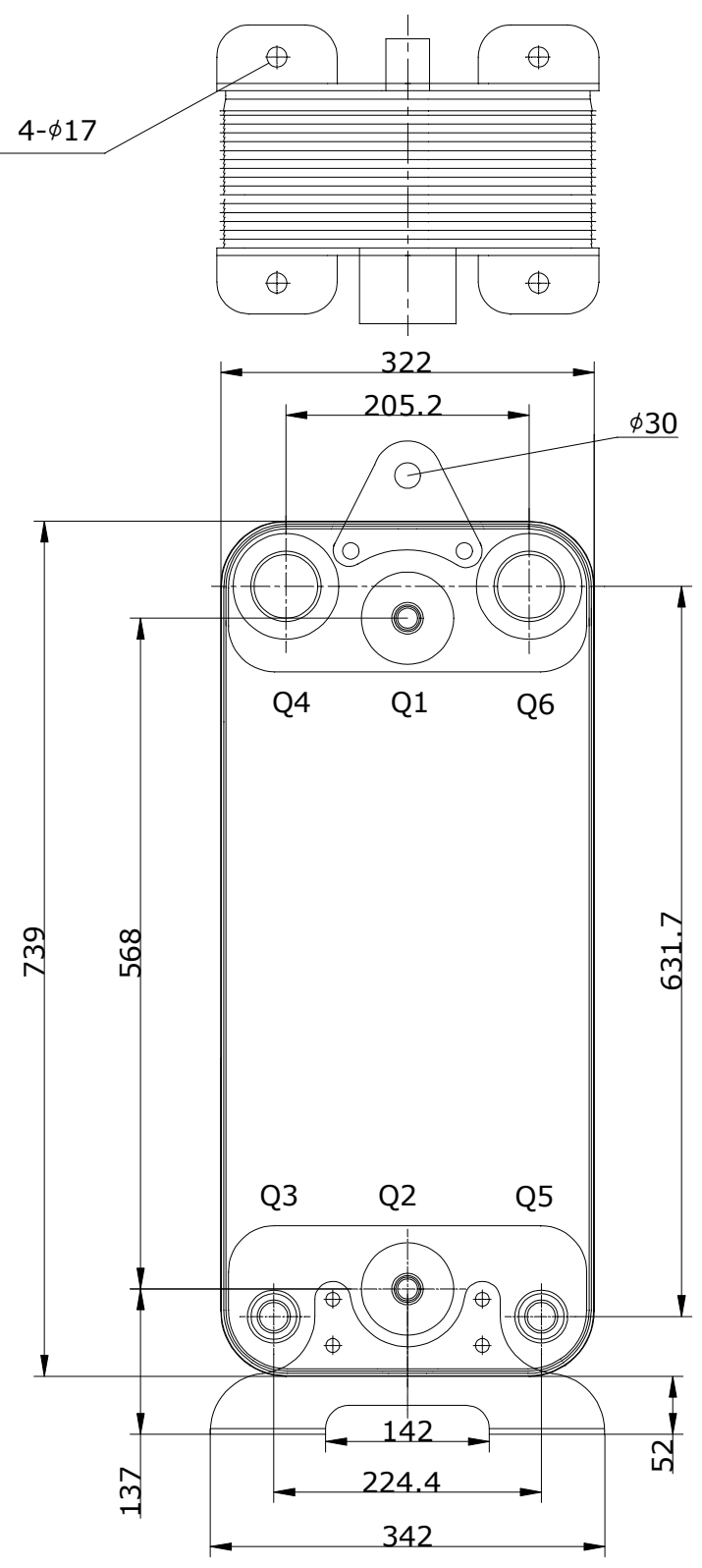
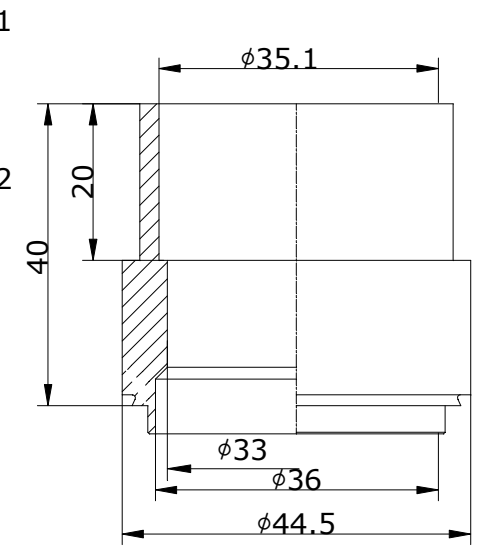


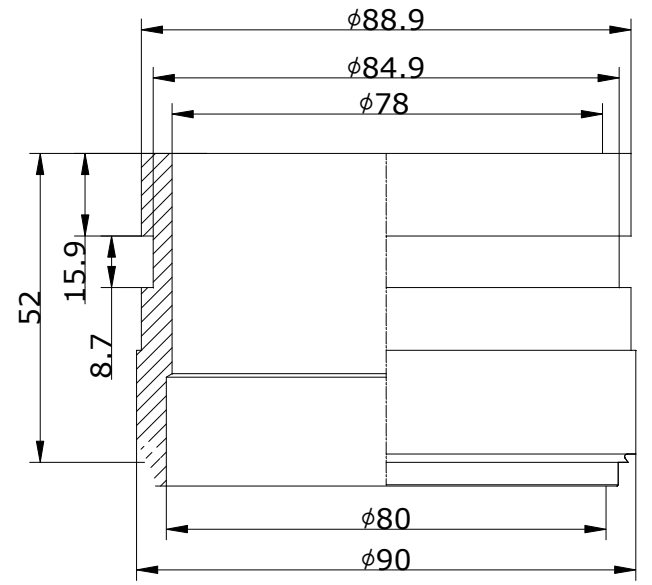
CONTROLLED



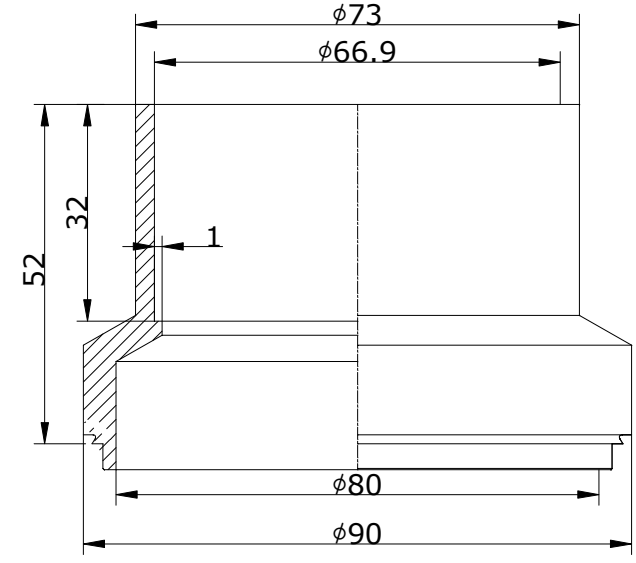
Q3-Q5
H1"3/8(H4138)
Solder connection



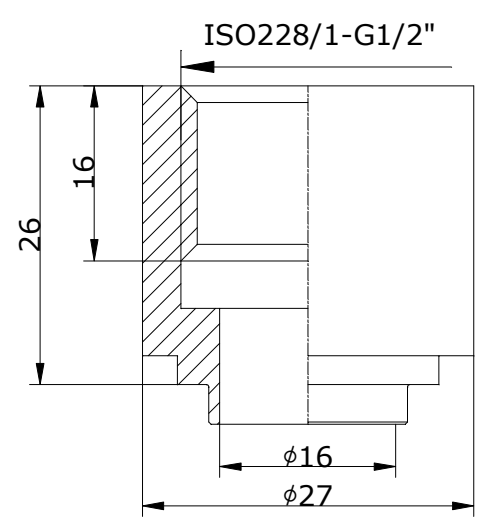
H1-H2
T88,9(LJ830)
Victaulic connection



Q4-Q6
H2"5/8(L825)
Solder connection



Q1-Q2
N1/2(N104)
Thread connection



ID	RIDAN Code	Drawing No.	Model	Plates(n)	A	Weight	Volume
1	111B0373R	2305525-01	210	230	608	180.6Kg	Q1Q2H1H2:57.5/ Q3Q5Q4Q6:28.25L
2	111B0374R	2305525-02	210	218	577	171.96Kg	Q1Q2H1H2:54.5/ Q3Q5Q4Q6:26.75L

		DESIGN DATA			
DESIGN PRESSURE		4.5MPa			
TEST PRESSURE		6.75MPa			
DESIGN TEMPERATURE		-196/+225			
LEAKAGE TEST		Helium Test			
PLATE MATERIAL		316L			
PIPE MATERIAL		304			
FRAME MATERIAL		304			
Assembly drawing	DEPARTMENT	Sales Department	DATE	SCALE	 RD-210-n-4,5-HDQ-Q1Q2(N1/2) /Q3Q5(H1"3/8)/Q4Q6(H2"5/8)/ H1H2(T88,9)/12-M10*25
	DESIGNER	JLN	2023/02/07		
	INSPECTOR	ZJF			
	APPROVAL	FL		DRAWING NO.	