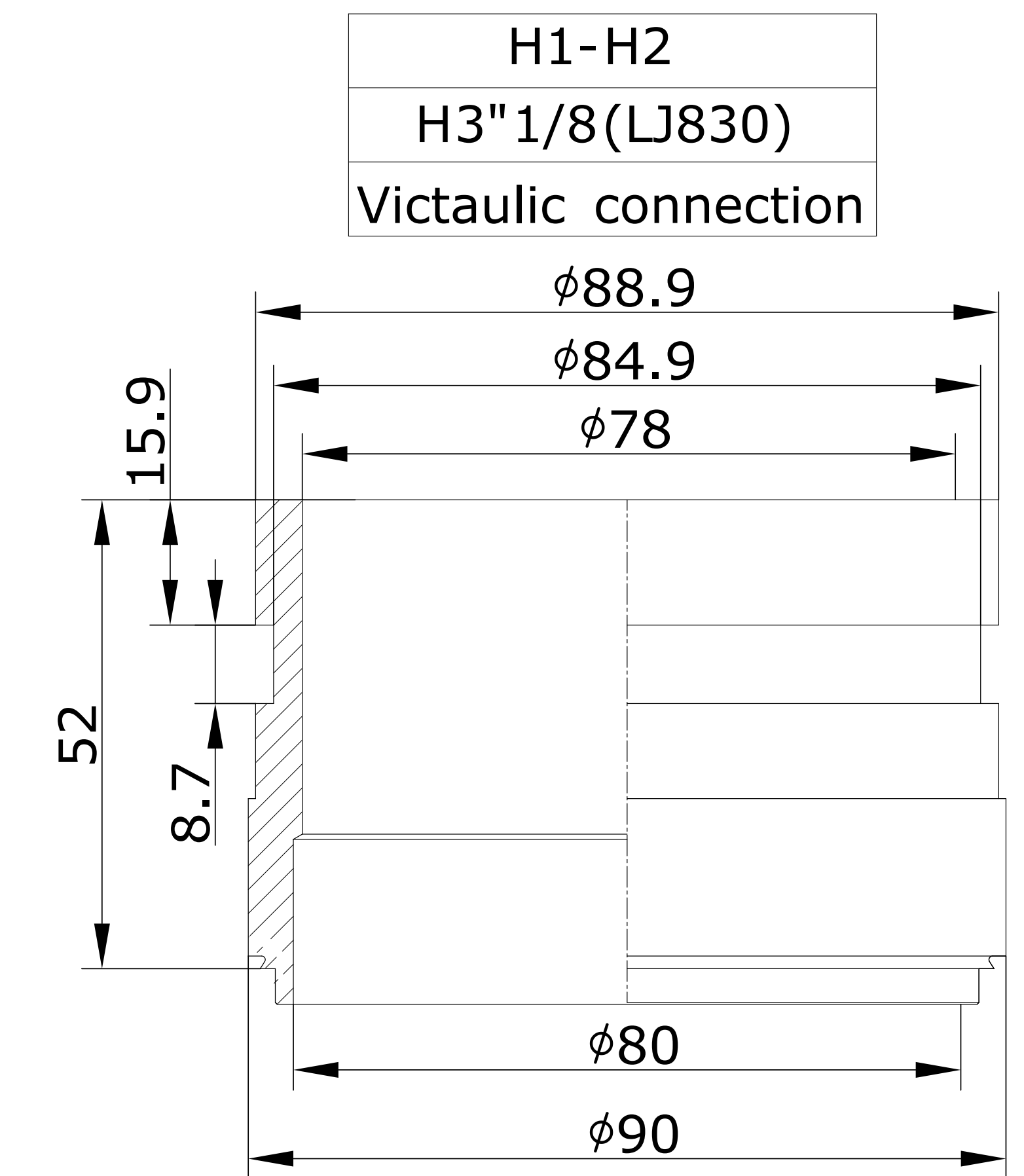
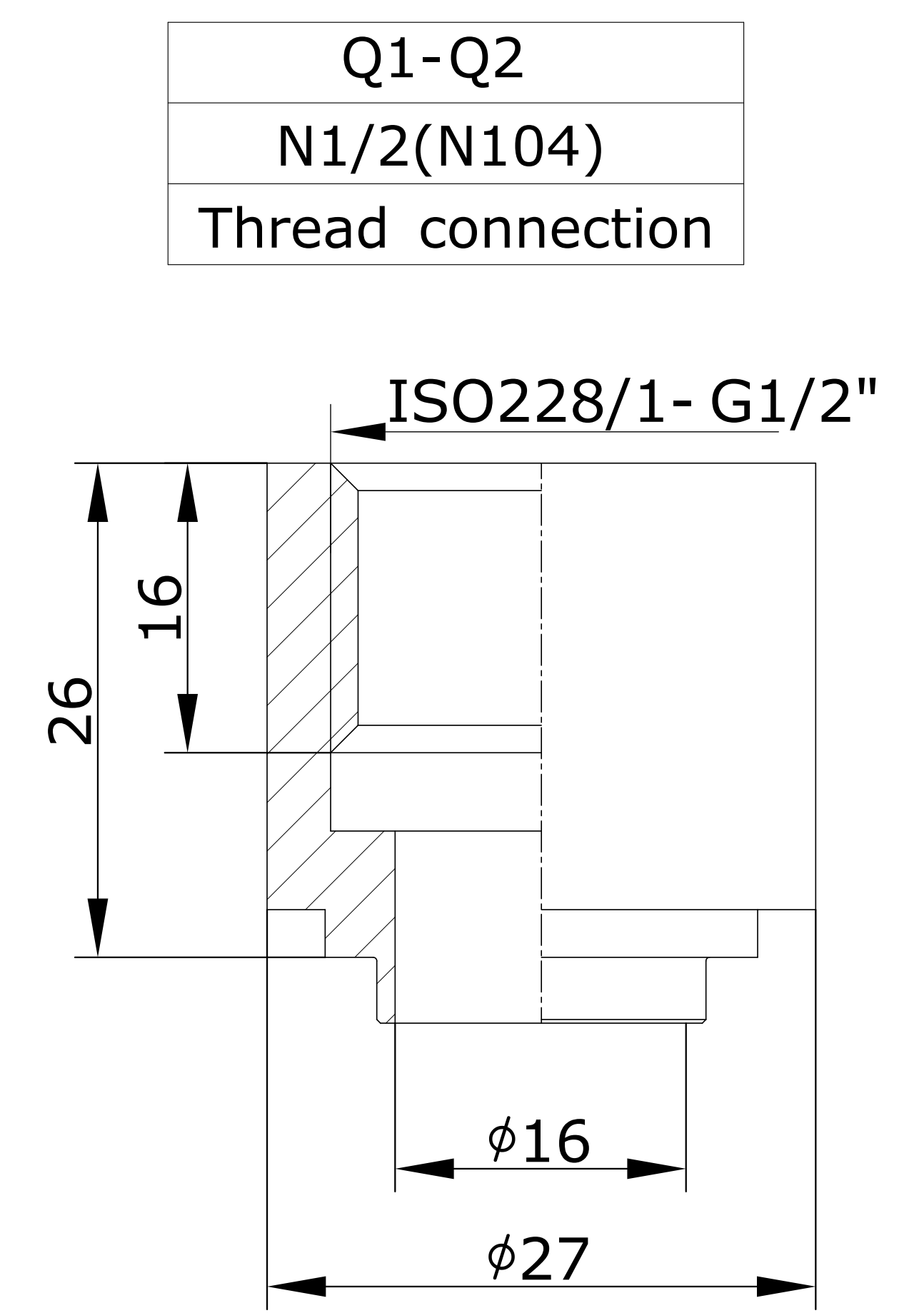
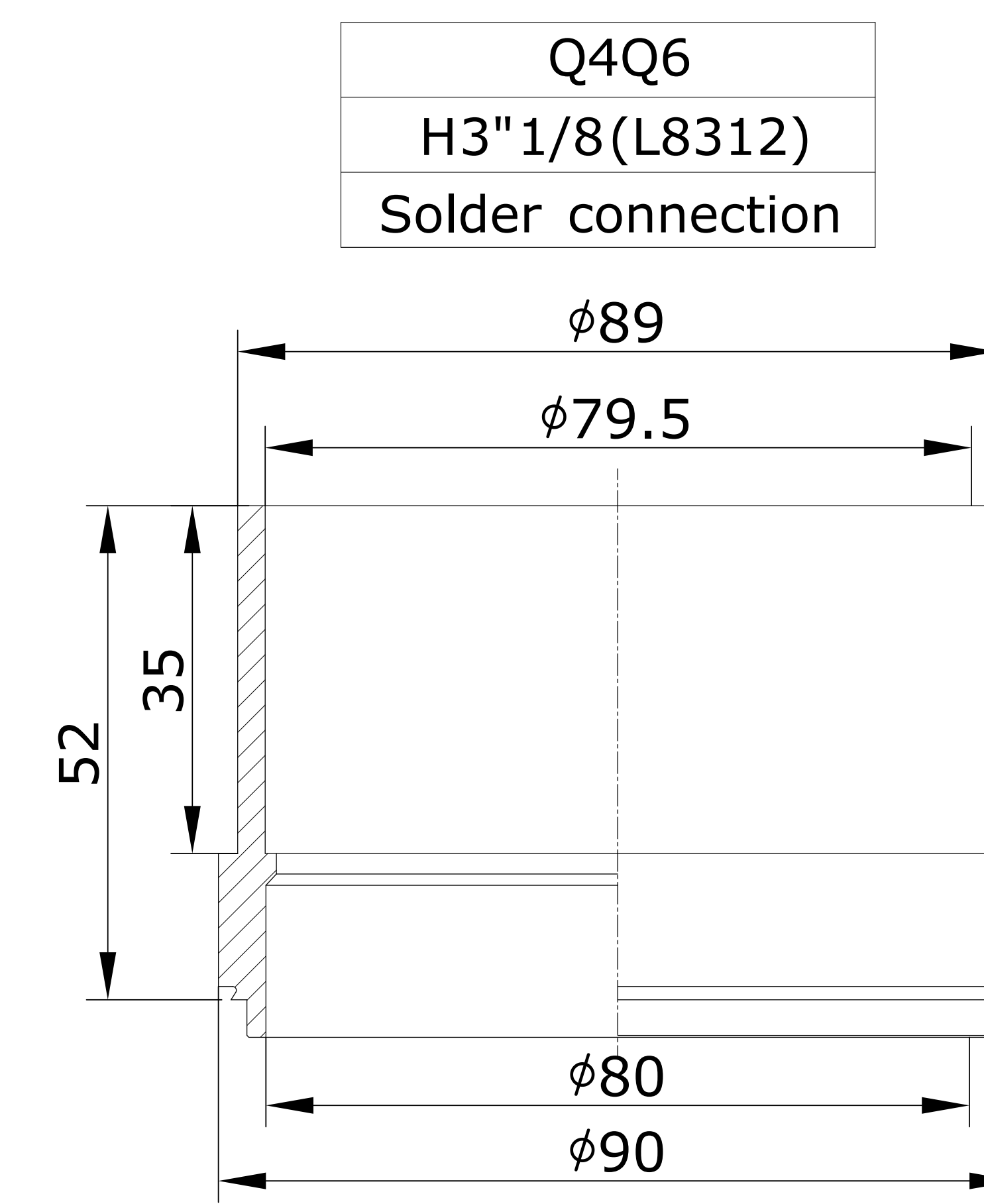
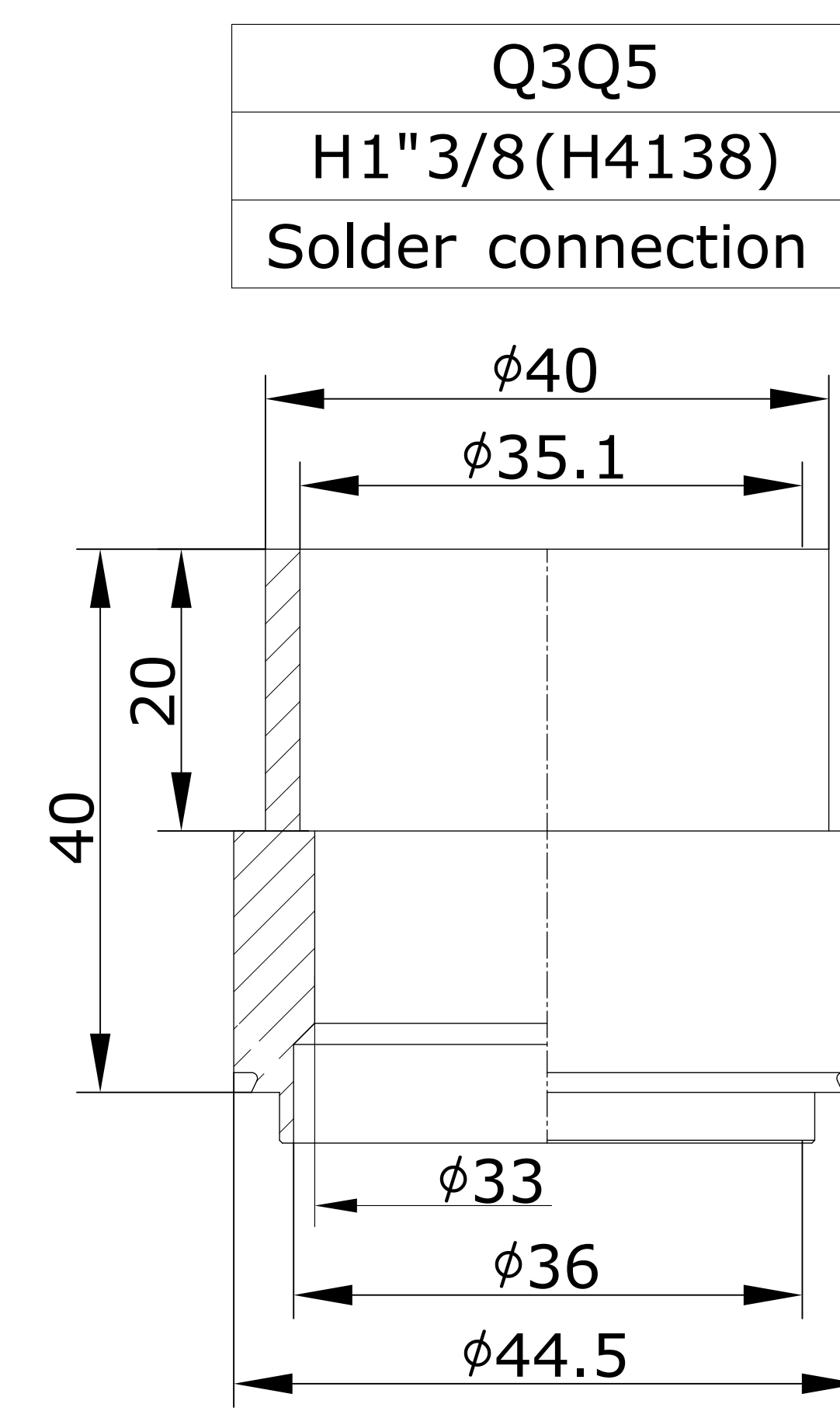
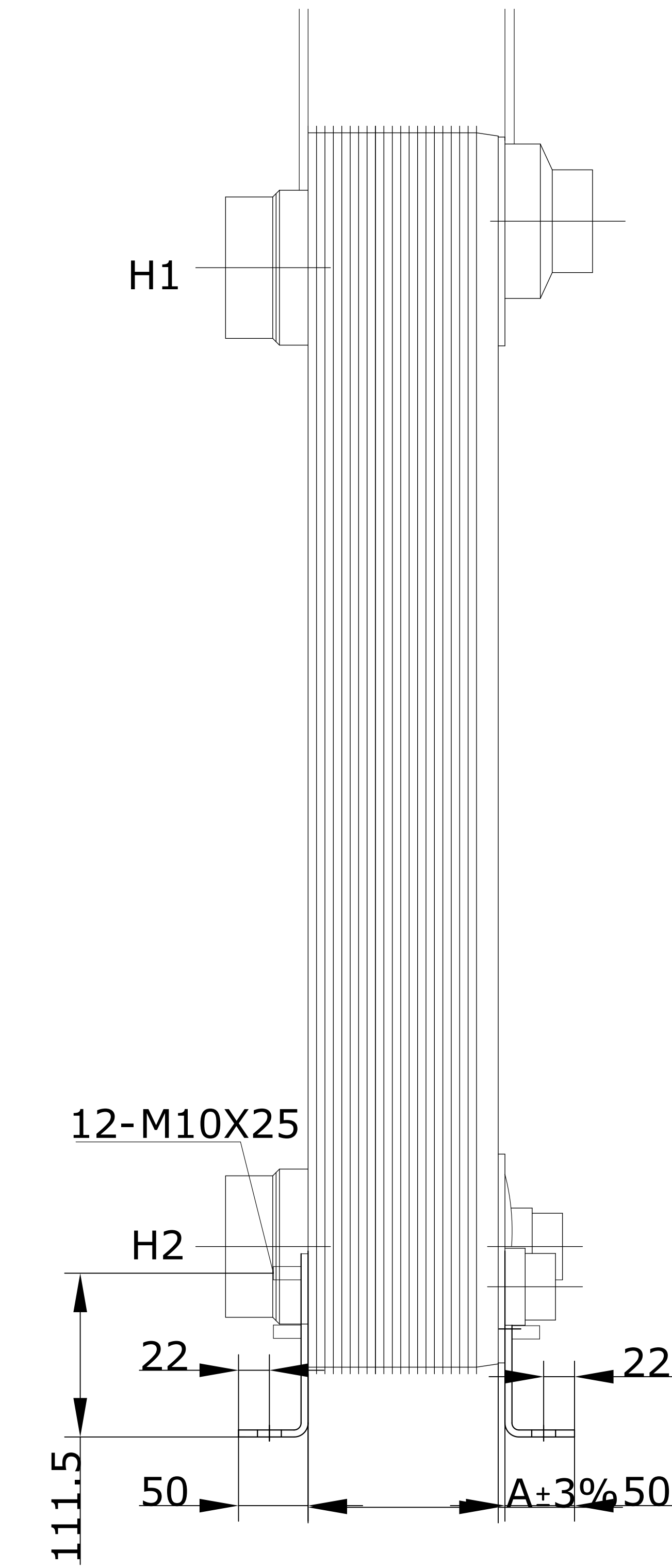
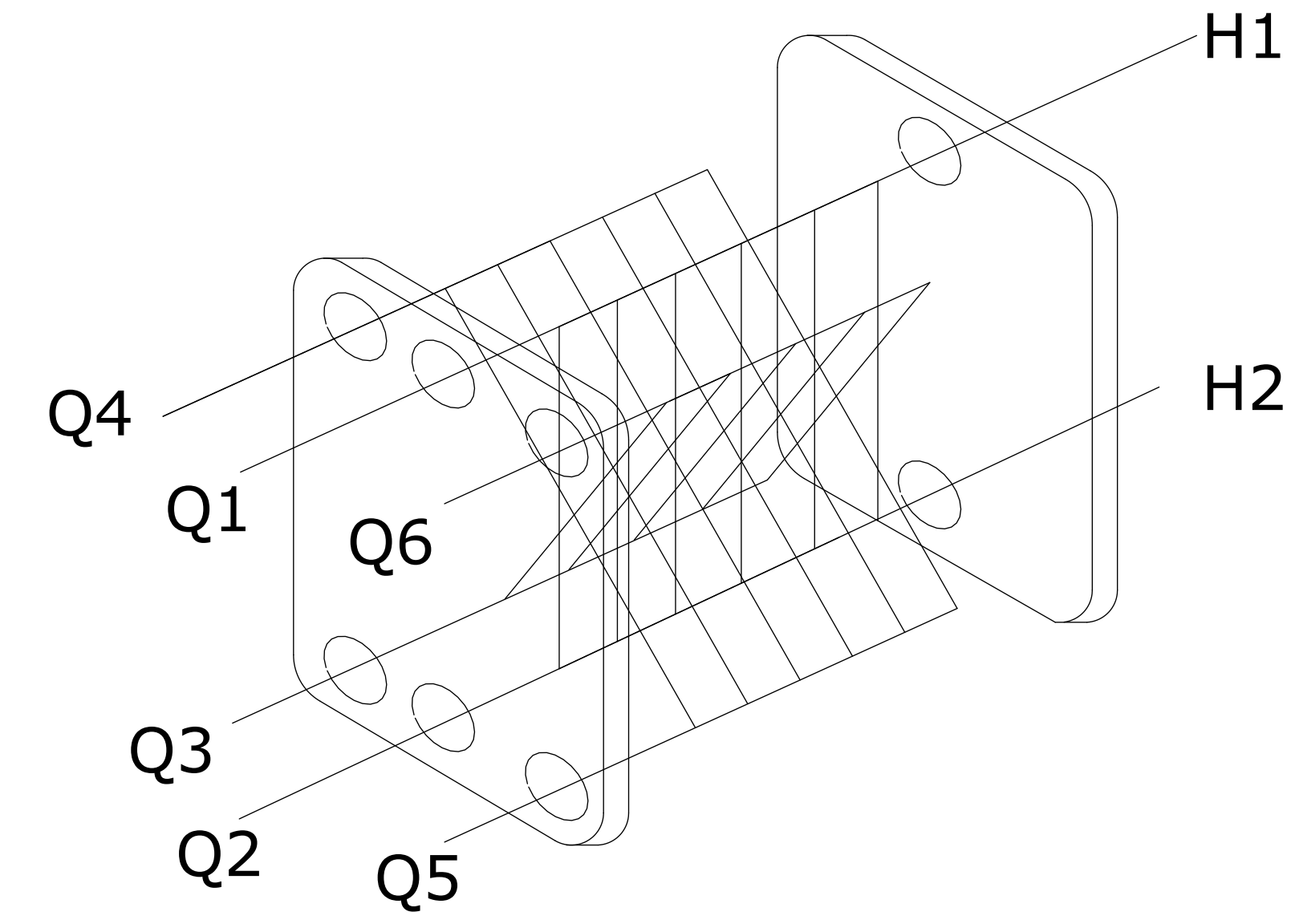
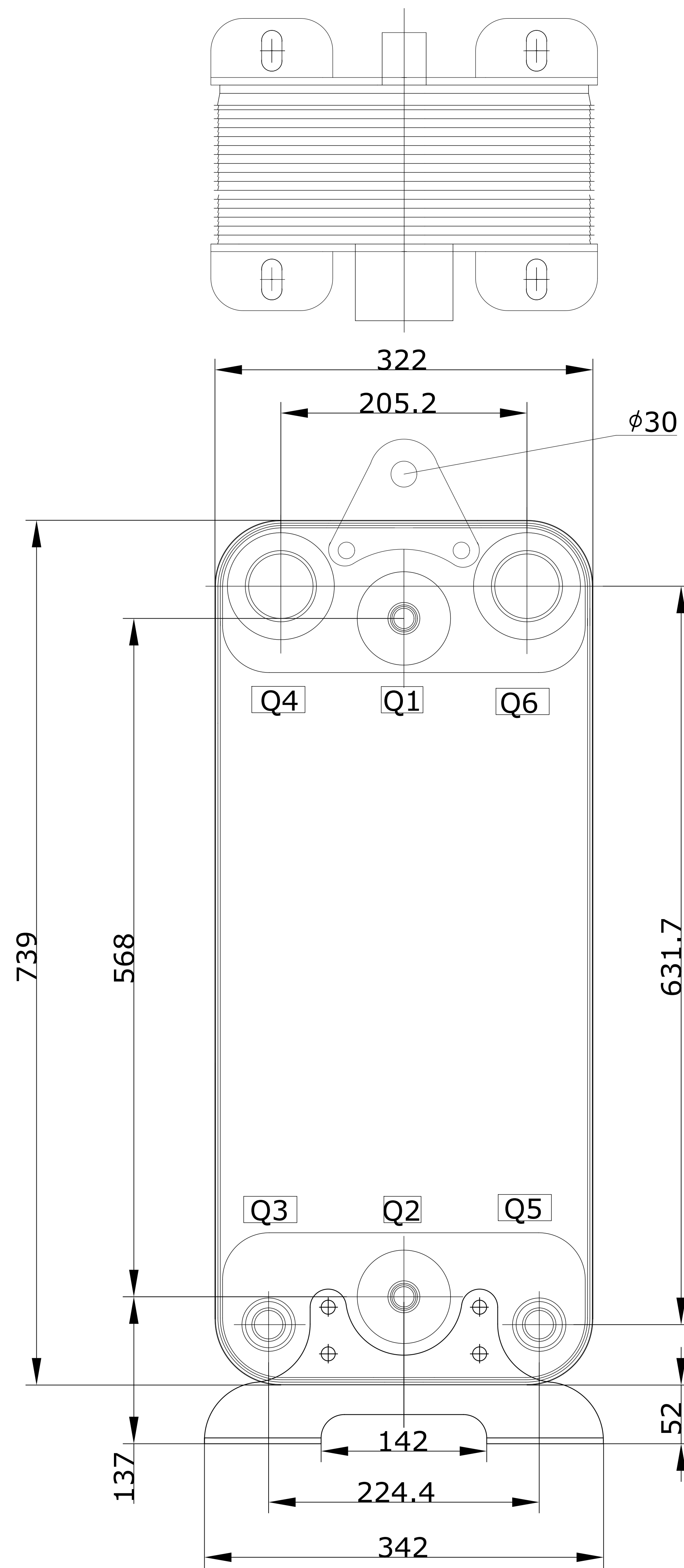


CONTROLLED



ID	RIDAN Code	Drawing No.	Model	Plates(n)	A
1	111B0380R	23020356	210	226	598

		DESIGN DATA			
DESIGN PRESSURE		4.5MPa			
TEST PRESSURE		6.75MPa			
DESIGN TEMPERATURE		-196/+225			
LEAKAGE TEST		Helium Test			
WEIGHT		183Kg			
VOLUM		H1H2: 56.5L Q3Q6/Q4Q5: 27.75L			
PLATE MATERIAL		316L			
PIPE MATERIAL		304			
FRAME MATERIAL		304			
Assembly drawing	DEPARTMENT	Sales Department	DATE	SCALE	 RD-210-226-4,5-HDQ-Q1Q2(N1/2) DESIGNATION: /Q3Q5(H1"3/8)/Q4Q6(H3"1/8)/ H1H2(H3"1/8)/12- M10*25
	DESIGNER	JLN	2024/10/17		
	INSPECTOR	ZJF		DRAWING NO.	
	APPROVAL				
				REV	1