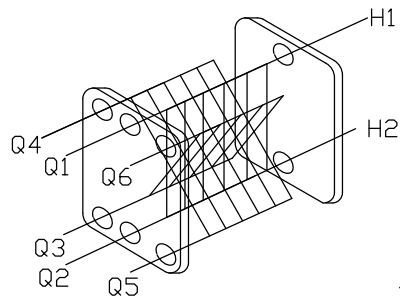
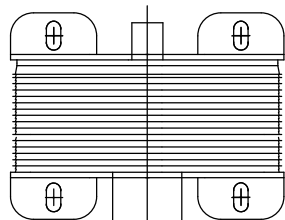


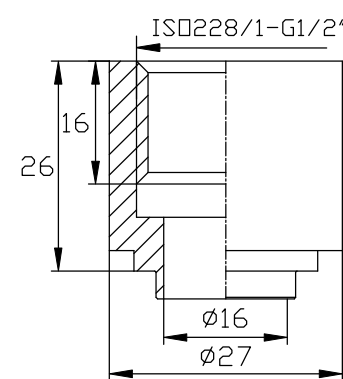
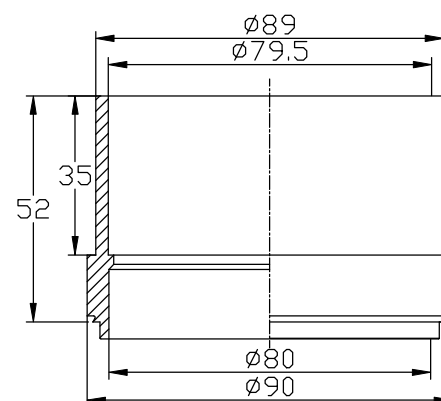
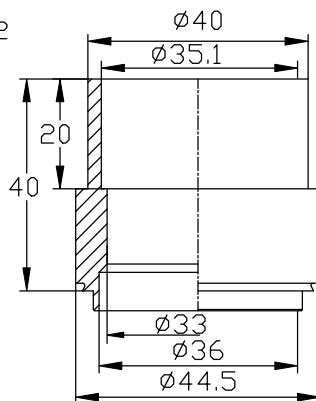
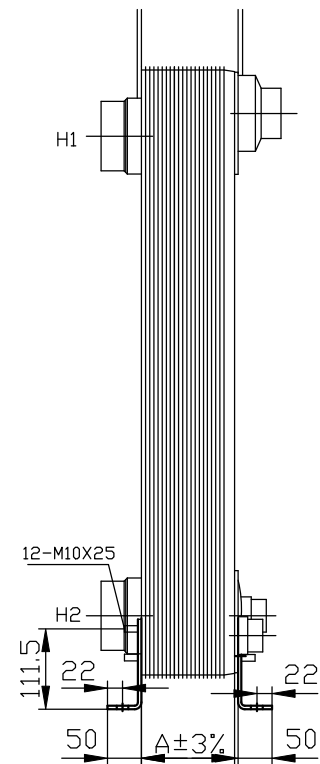
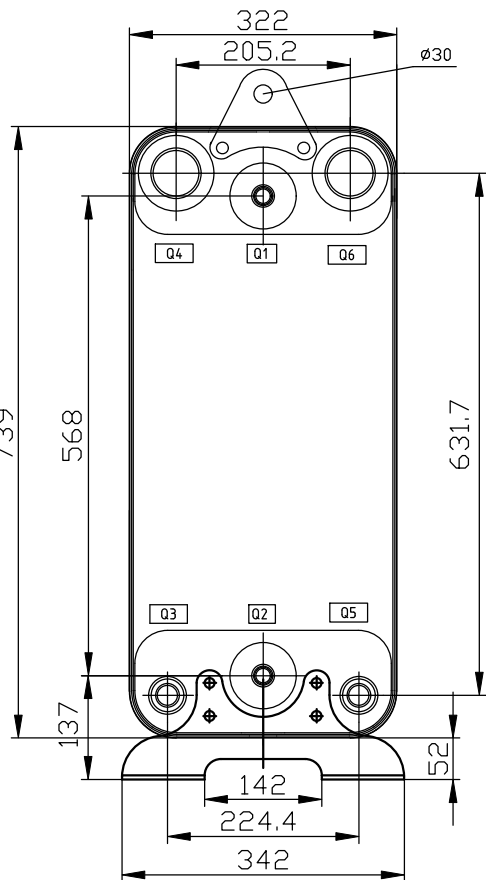
CONTROLLED



Q3-Q5
H1"3/8(L4138)
Welded connection

Q4-Q6-H1-H2
H3"1/8(L8312)
Welded connection

Q1-Q2
N1/2(N104)
Thread connection



DESIGN DATA	
DESIGN PRESSURE	4.5MPa
TEST PRESSURE	6.75MPa
DESIGN TEMPERATURE	-196/+225
LEAKAGE TEST	Helium test
WEIGHT	185.6Kg
VOLUME	H1H2:56.5L
	Q3Q5/Q4Q6:27.75L
PLATE MATERIAL	316L
PIPE MATERIAL	304
FRAME MATERIAL	304

Assembly drawing	DEPARTMENT	Sales Department	DATE	SCALE			
	DESIGNER	JLN	2024/11/18				
	INSPECTOR	ZDL				DESIGNATION	RD210-226-4.5-HDQ-Q1Q2(N1/2)/Q3Q5(H1"3/8)/Q4Q6(H3"1/8)/H1H2(H3"1/8)/12-M10*25
APPROVAL	ZJF				DRAWING NO.	23021012	REV 0

ID	RIDAN Code	Drawing No.	Model	Plates(n)	A
1	111B0359R	23021012	210	226	598