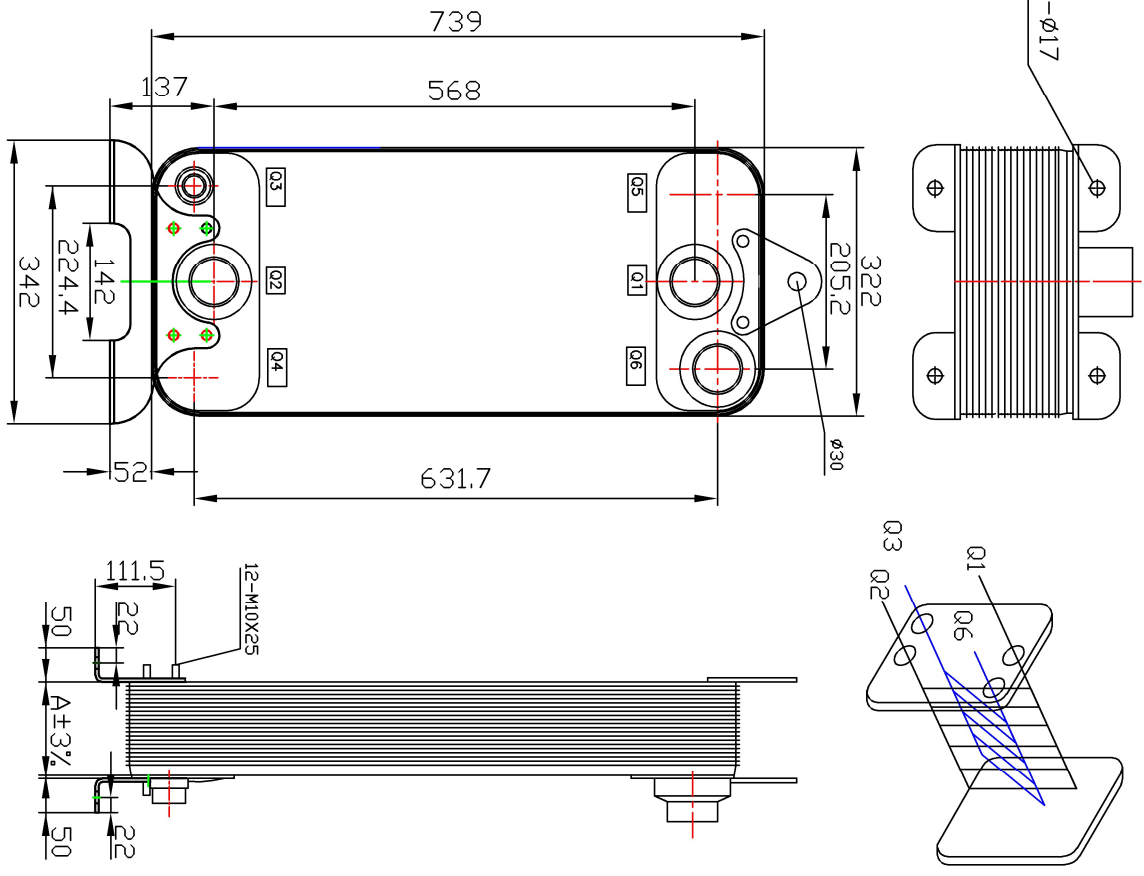
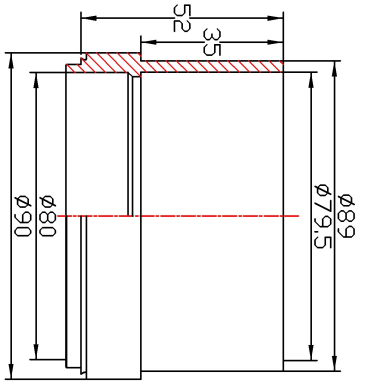
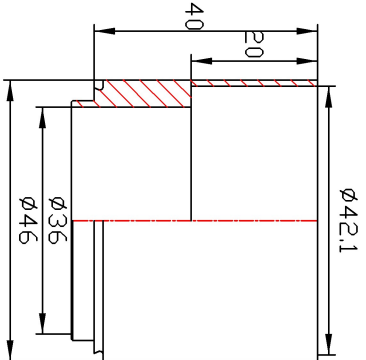


ID	RIDAN Code	Drawing No	Model	Plates(n)	A
1	111B0178R	2307912	210	230	608



Q3
H1"5/8(KH4152)
Solder connection

Q1-Q2-Q6
H3"1/8(L8312)
Solder connection



Note: Add feet and lug

DESIGN DATA	
DESIGN PRESSURE	3.0MPa
TEST PRESSURE	4.5MPa
DESIGN TEMPERATURE	-196/+225
LEAKAGE TEST	Helium test
WEIGHT	183Kg
VOLUME	Q1Q2: 57.5L Q3Q6: 57L
PLATE MATERIAL	316L
PIPE MATERIAL	304
FRAME MATERIAL	304

DATE	SCALE	DRAWING NO.	REV
2022/09/01		2307912	0

Assembly drawing

RD-210-230-3.0-H8-010206(H31/8)/03KH1"5/8/12-M10*25

РИДАН