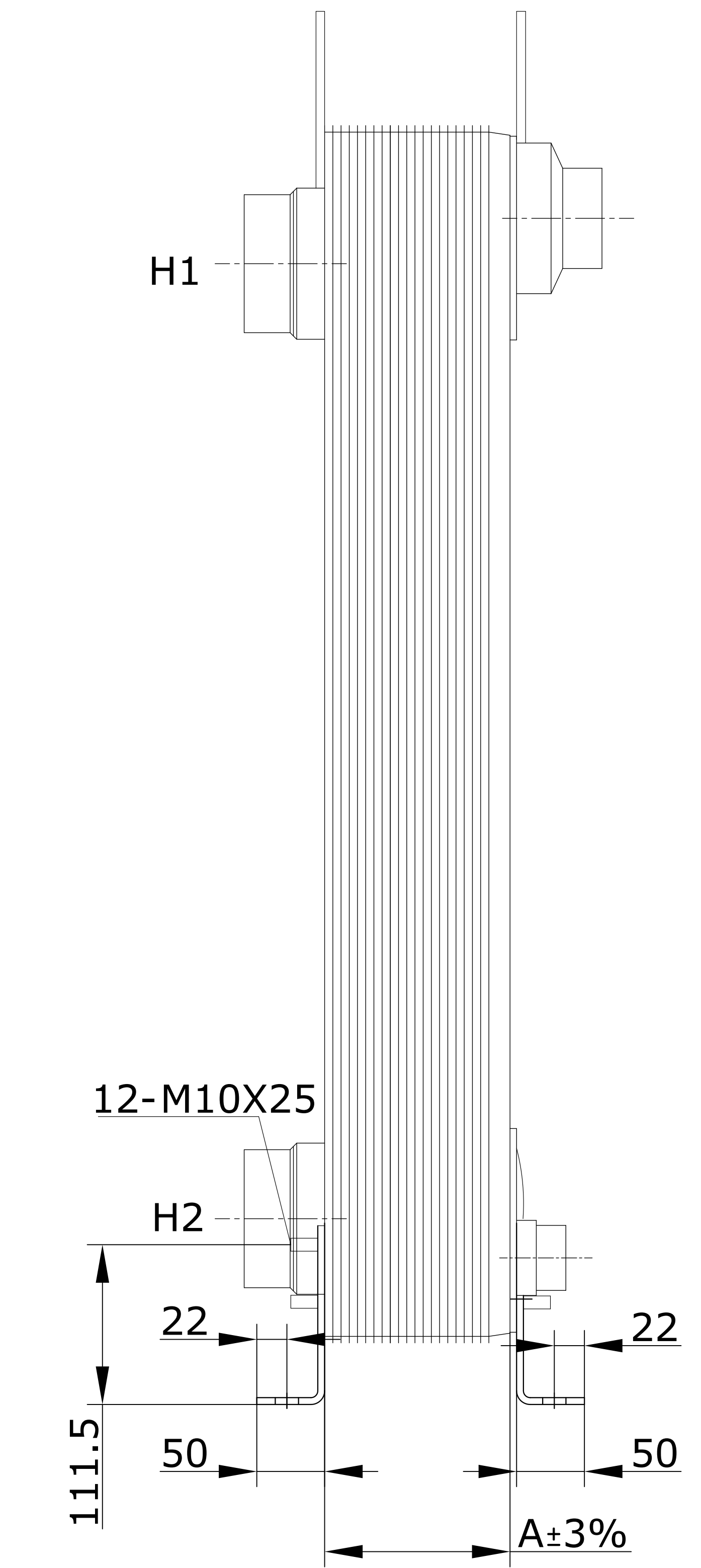
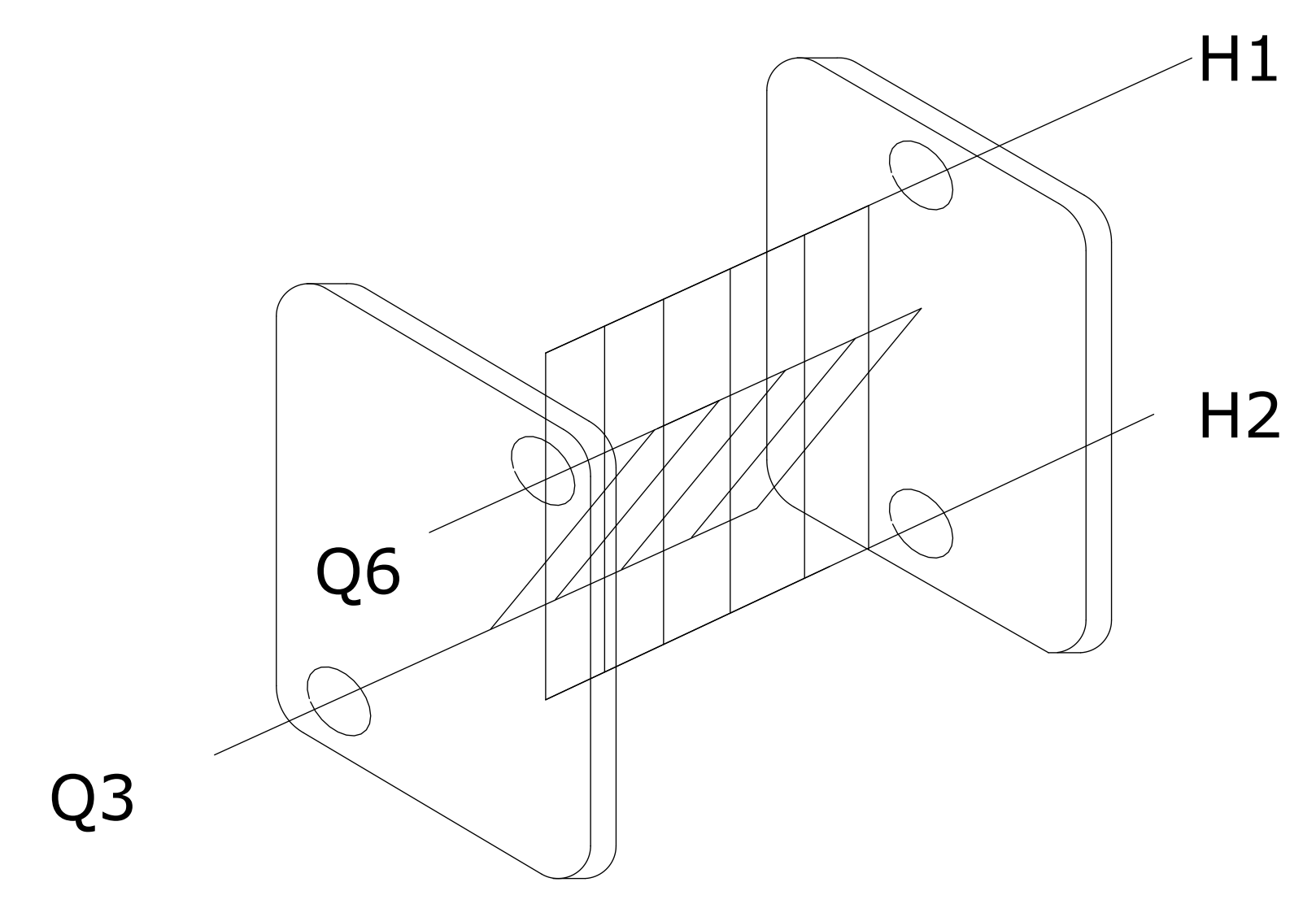
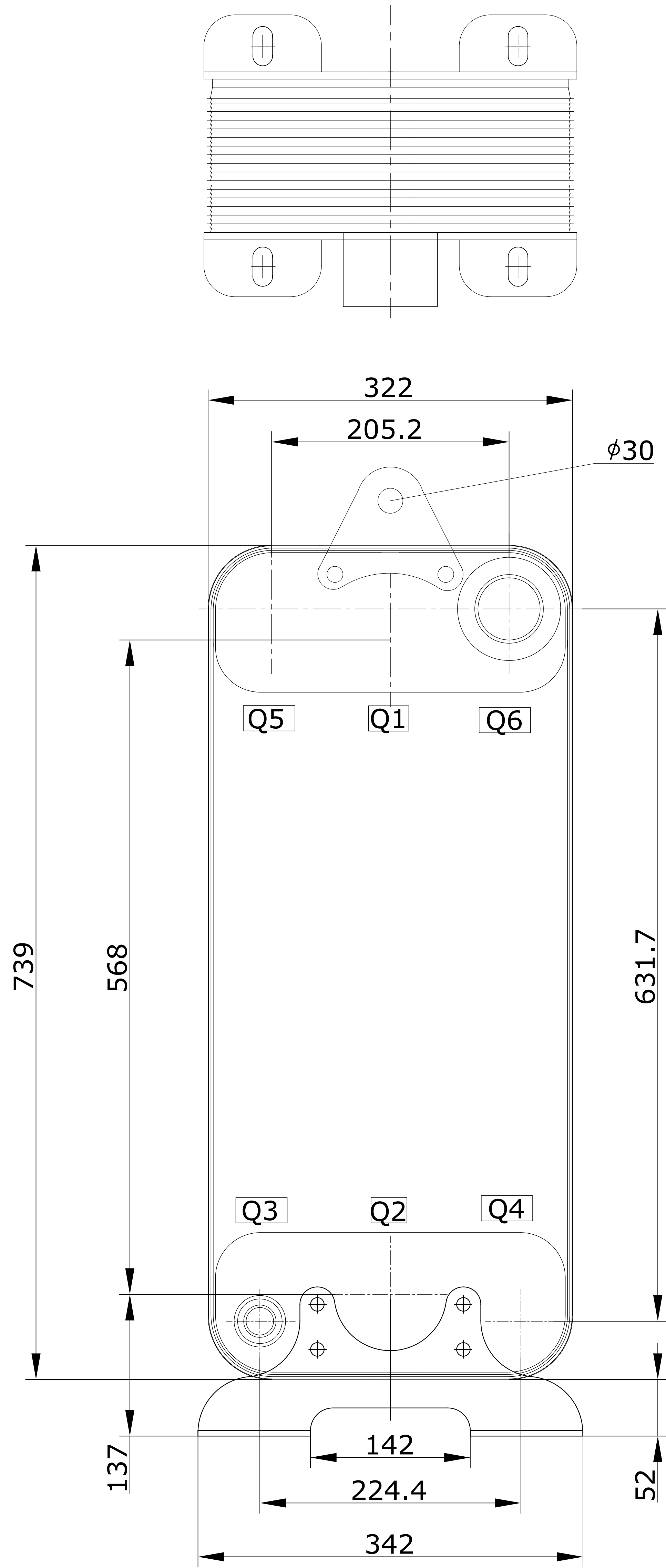
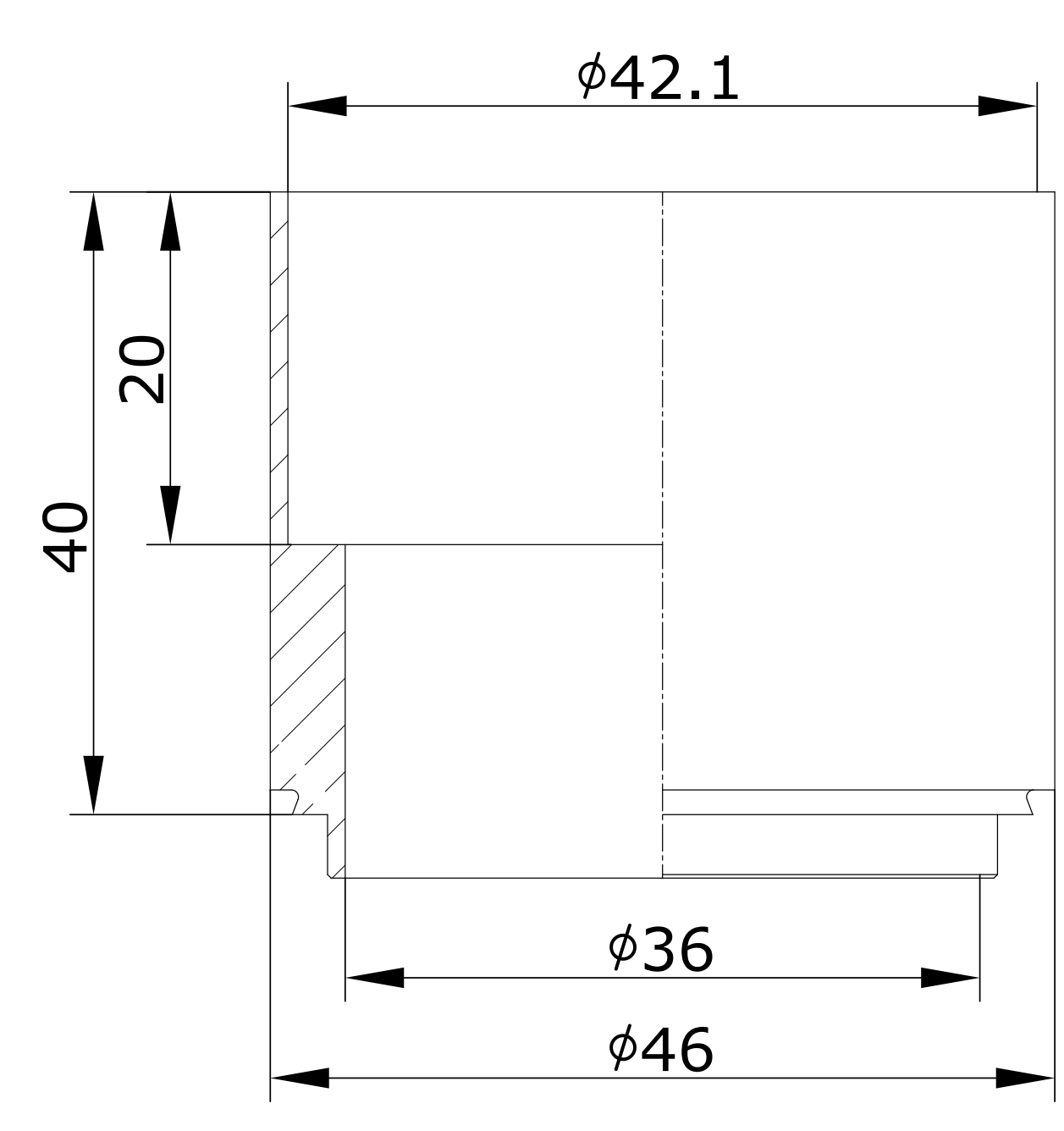


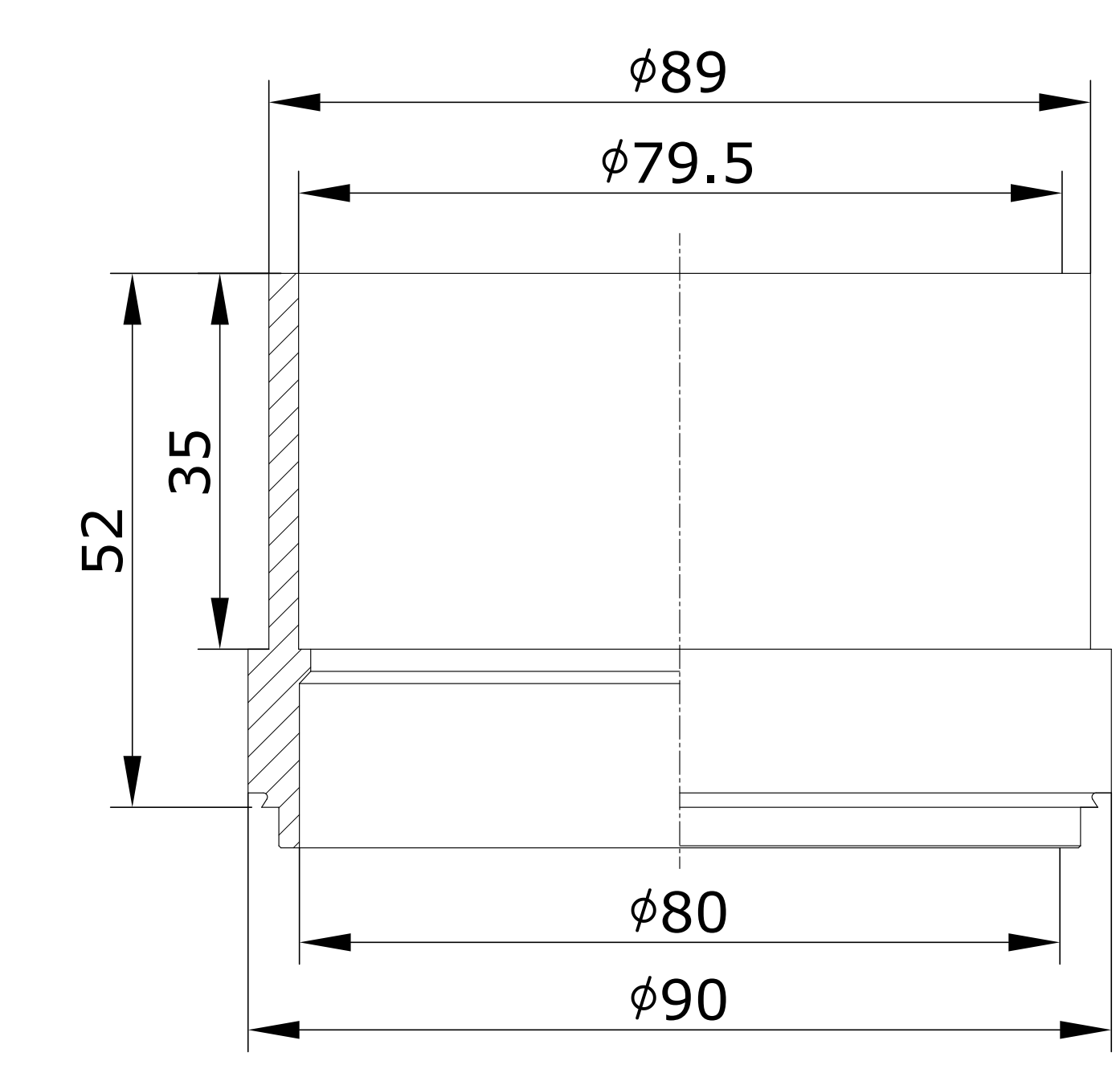
CONTROLLED



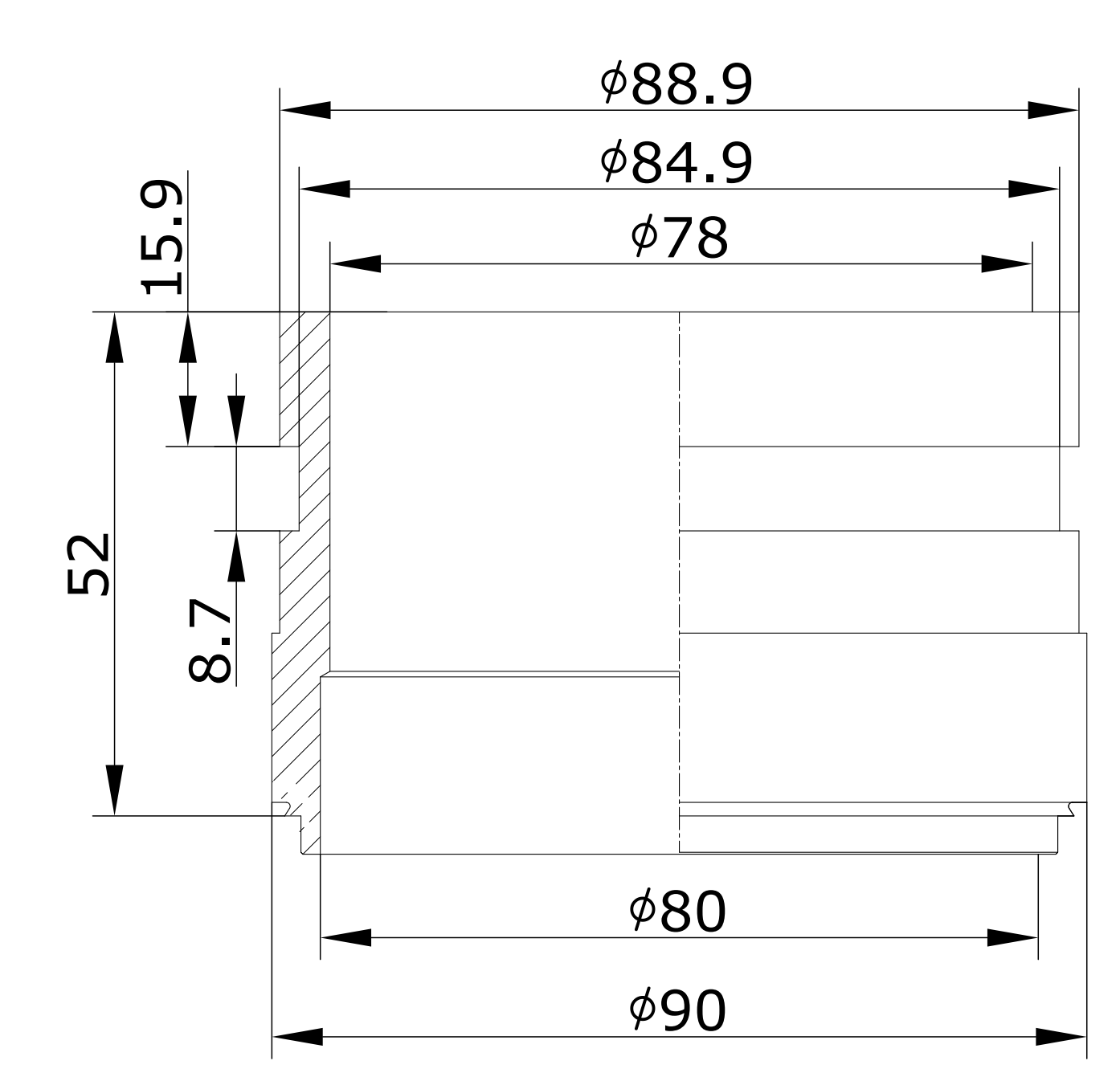
Q3
H1"5/8(H4152)
Solder connection



Q6
H3"1/8(L8312)
Solder connection



H1-H2
H3"1/8(LJ830)
Victaulic connection



ID	RIDAN Code	Drawing No.	Model	Plates(n)	A
1	111B0395R	23020357	210	230	608

DESIGN DATA	
DESIGN PRESSURE	3.0MPa
TEST PRESSURE	4.5MPa
DESIGN TEMPERATURE	-196/+225
LEAKAGE TEST	Helium Test
WEIGHT	183Kg
VOLUM	H1H2: 57.5L
	Q3Q6: 57L
PLATE MATERIAL	316L
PIPE MATERIAL	304
FRAME MATERIAL	304

Assembly drawing	DEPARTMENT	Sales Department	DATE	SCALE	 RD-210-230-3,0-HQ-Q3(H1"5/8)/ DESIGNATION: Q6(H3"1/8)/H1H2(H3"1/8)/ 12-M10*25
	DESIGNER	JLN	2024/10/17		
	INSPECTOR	ZJF			
	APPROVAL			DRAWING NO.	