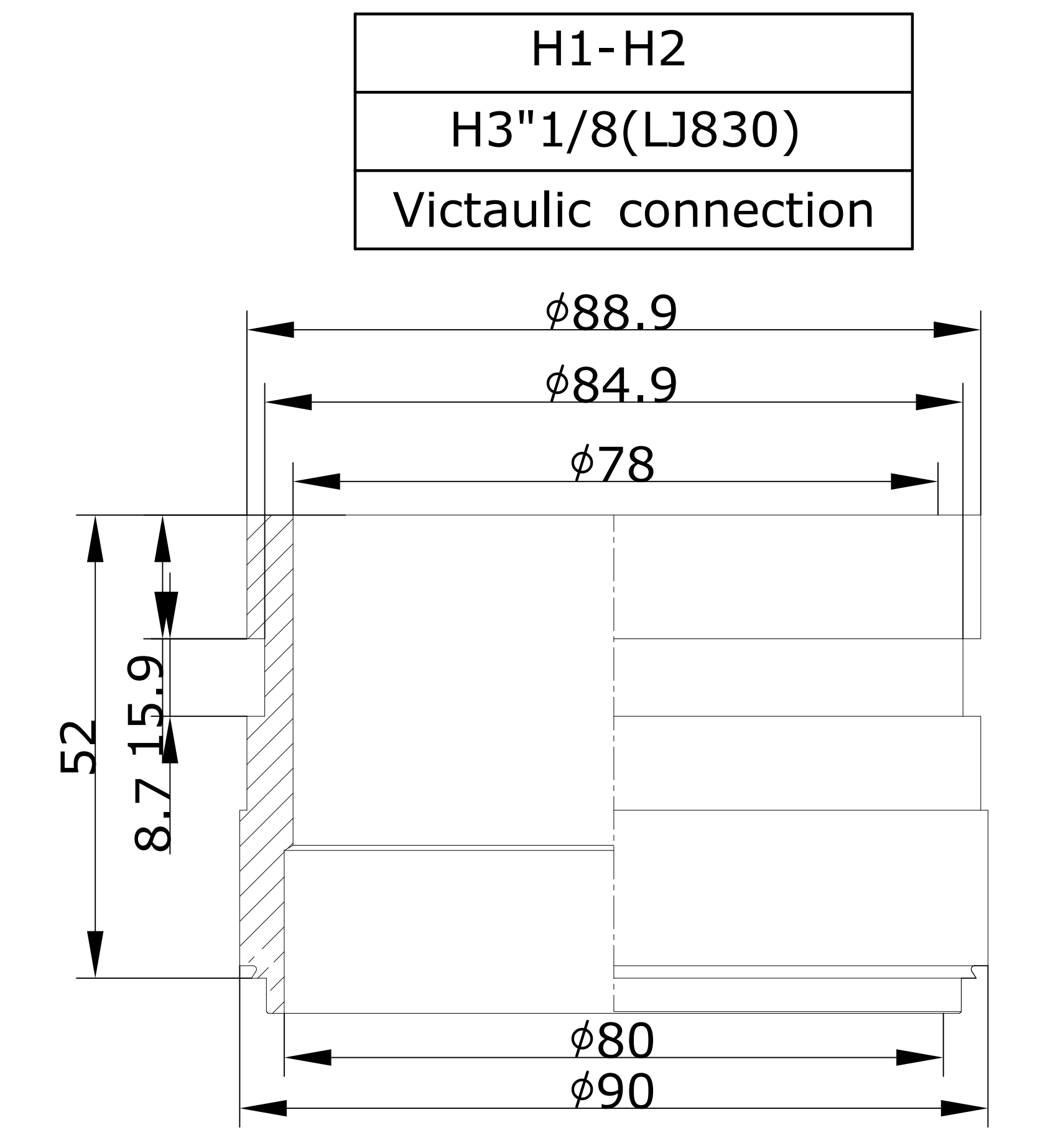
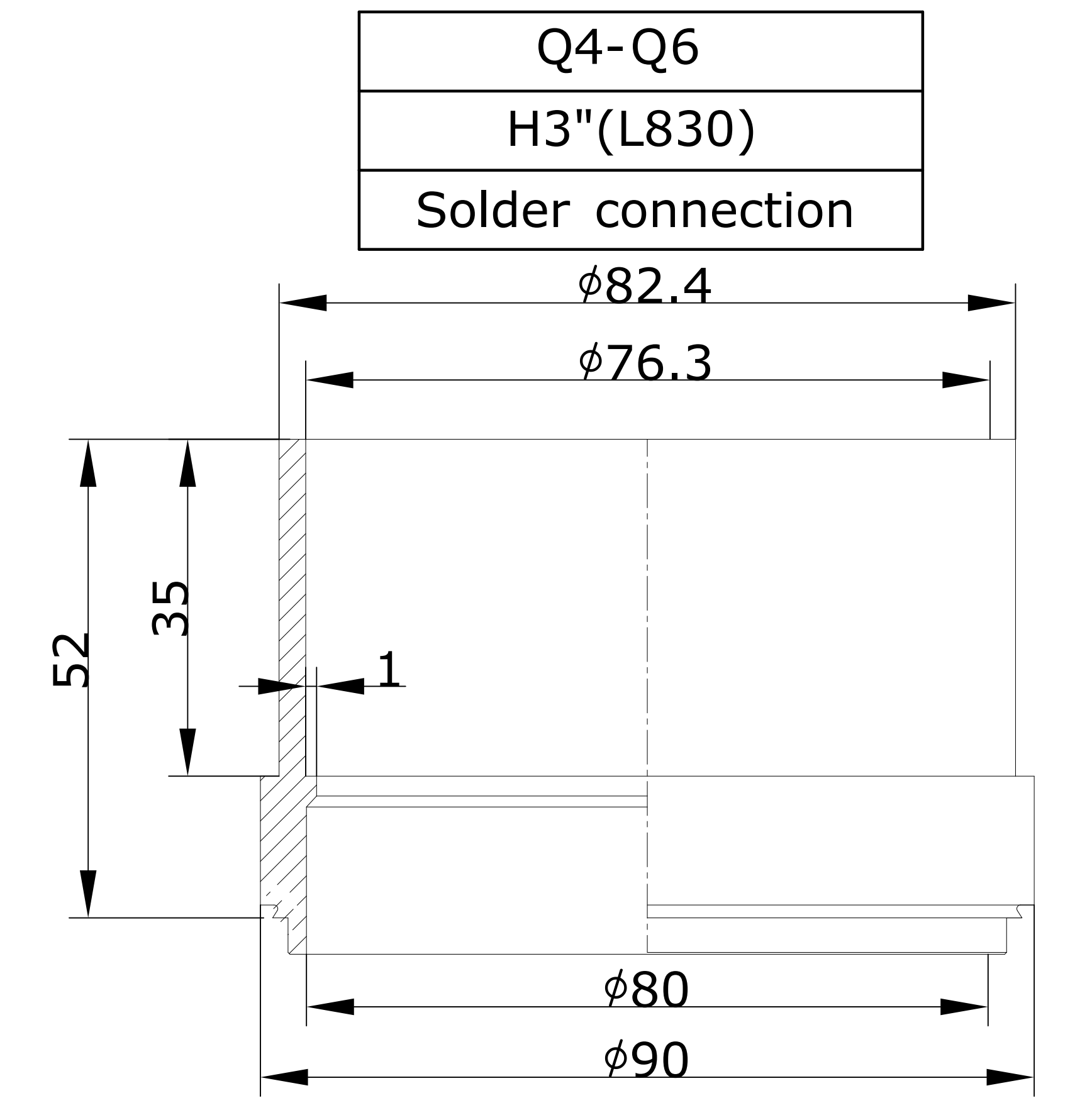
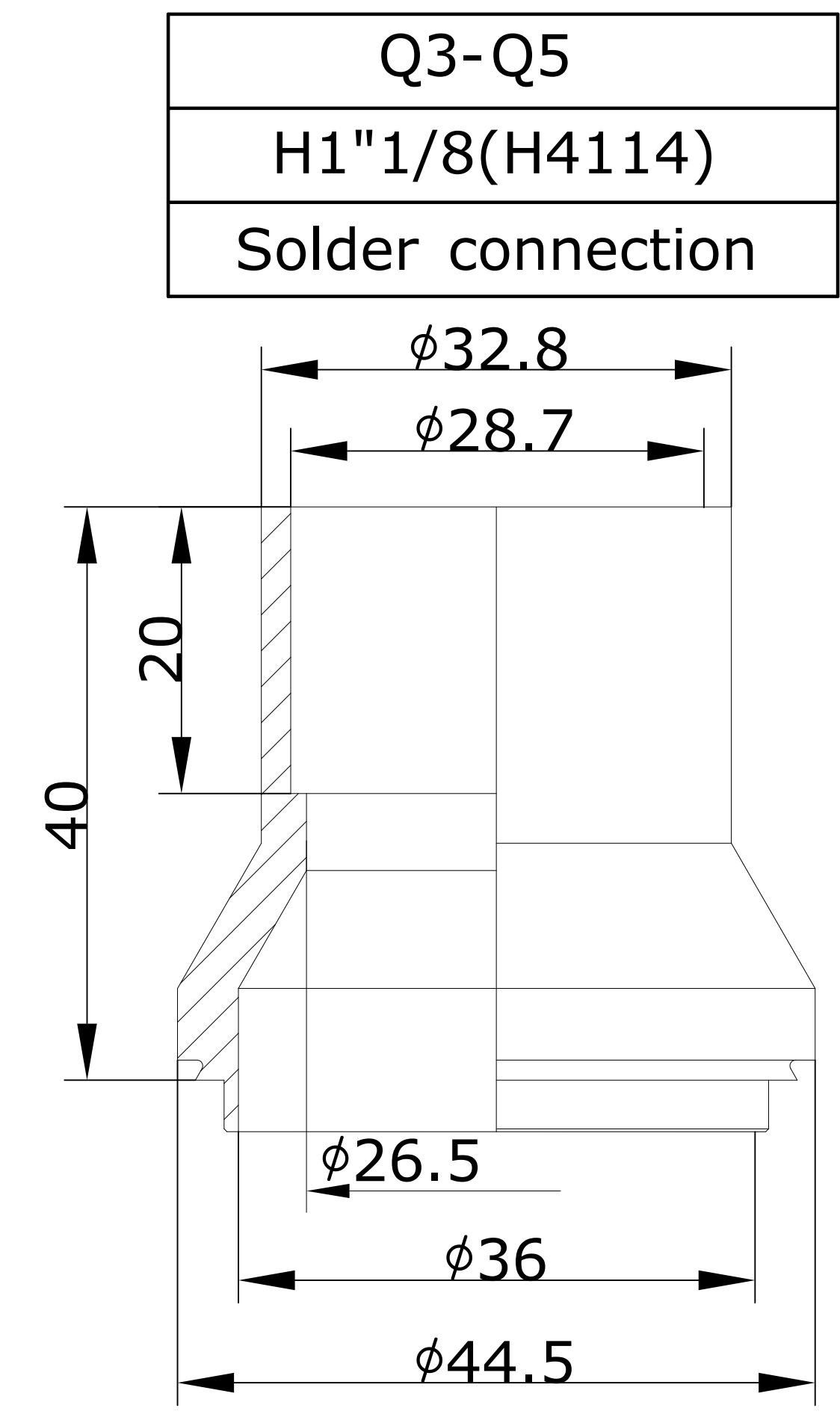
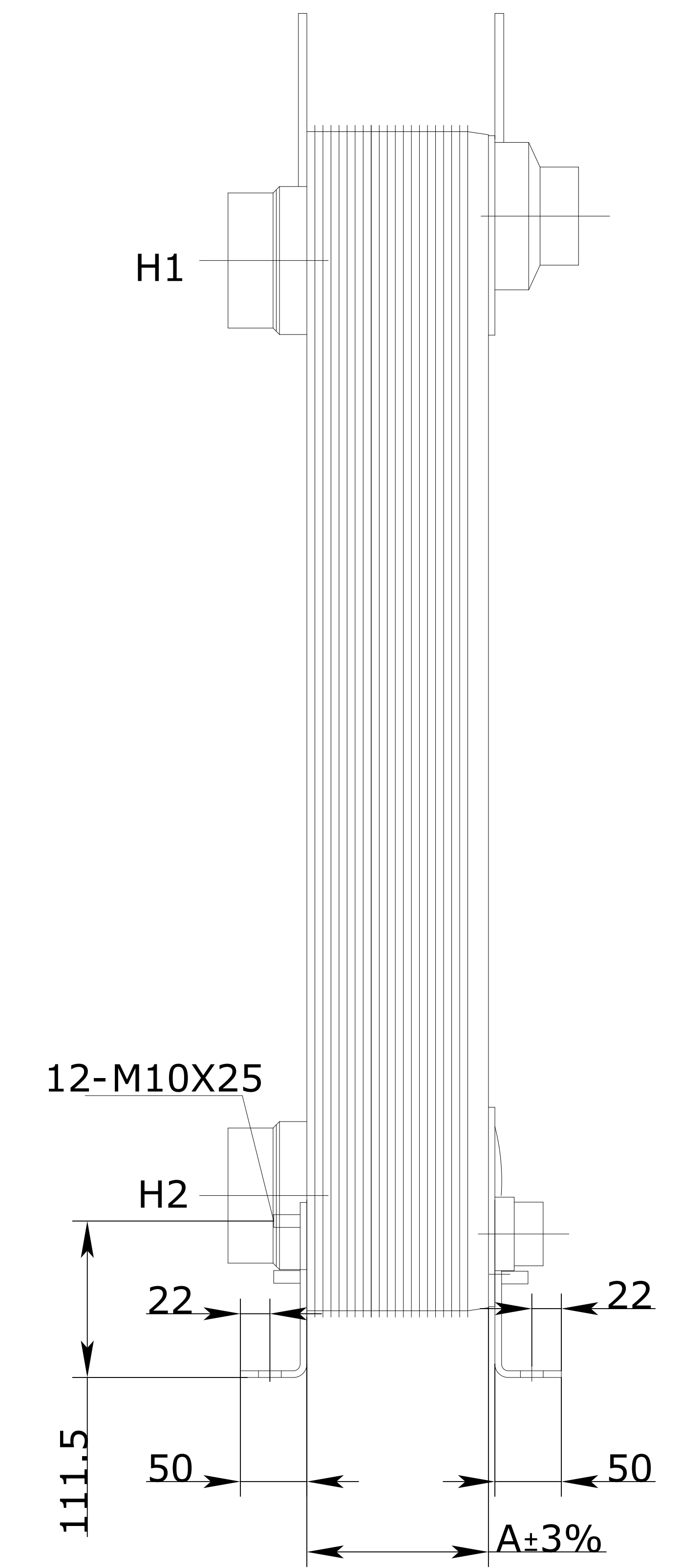
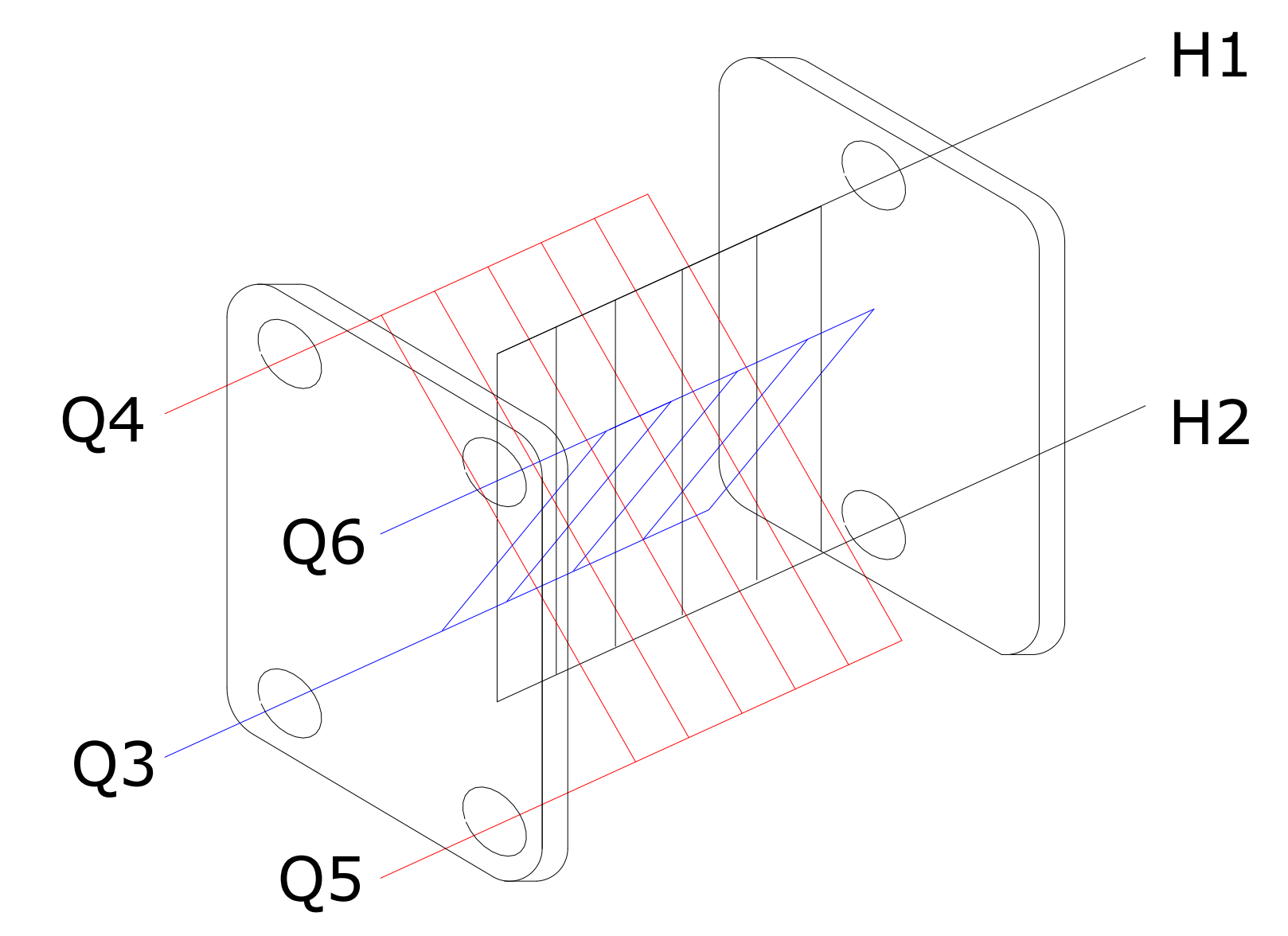
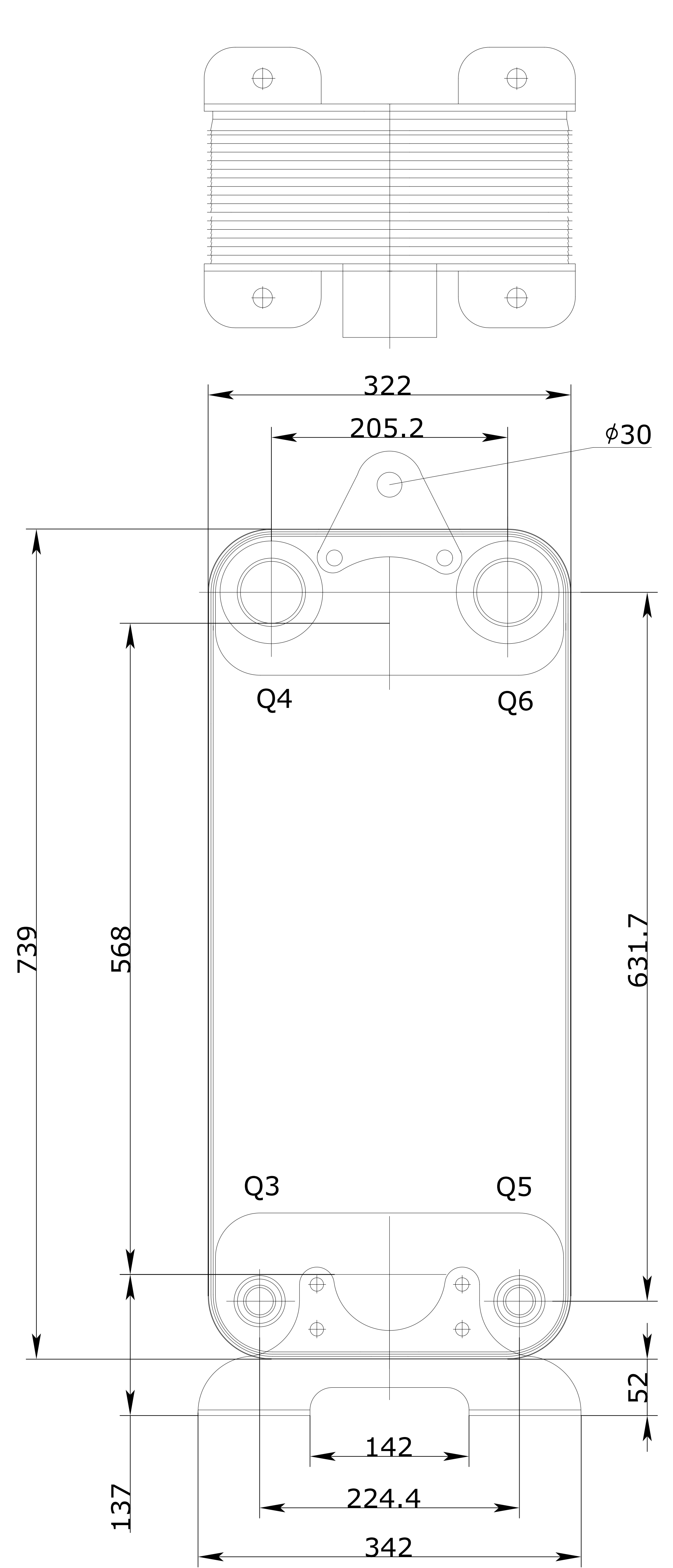


CONTROLLED



Note: Add feet

DESIGN DATA	
DESIGN PRESSURE	4.5MPa
TEST PRESSURE	6.75MPa
DESIGN TEMPERATURE	-196/+225
LEAKAGE TEST	Helium Test
WEIGHT	206 Kg
VOLUME	Q3Q5Q4Q6: 31.25L H1H2: 63.5L
PLATE MATERIAL	316L
PIPE MATERIAL	304
FRAME MATERIAL	304

ID	RIDAN Code	Drawing No.	Model	Plates(n)	A
1	111B0222R	23011821	210	254	671

Assembly drawing	DEPARTMENT	Sales Department	DATE	SCALE	 RD-210-254-4,5-HDQ DESIGNATION: -Q3Q5(H1"1/8)/Q4Q6(H3")/ H1H2(H3"1/8)/12- M10*25
	DESIGNER	JLN	2023/03/24		
	INSPECTOR	ZJF			
	APPROVAL	FL			
DRAWING NO. 23011821			REV. 0		