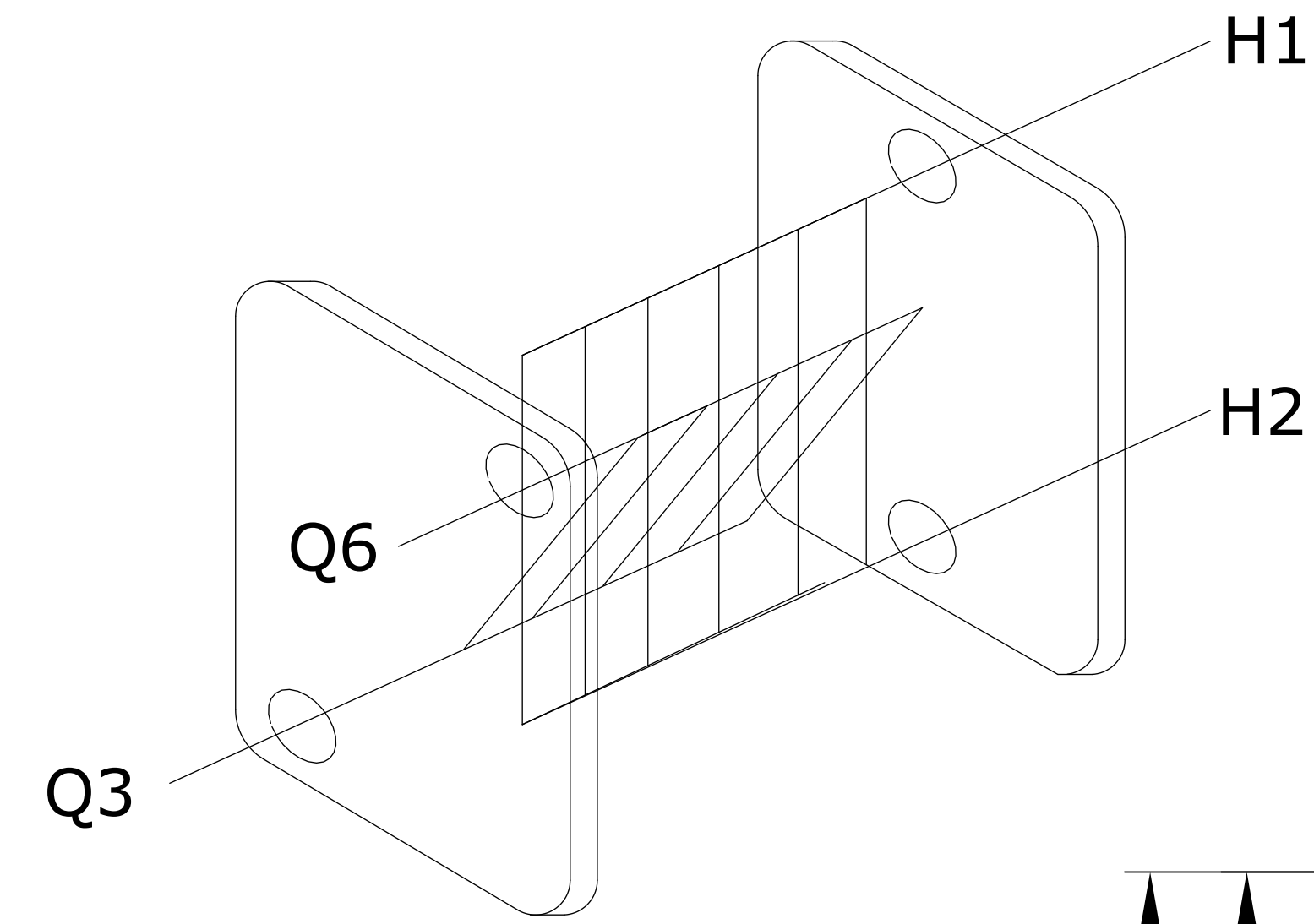
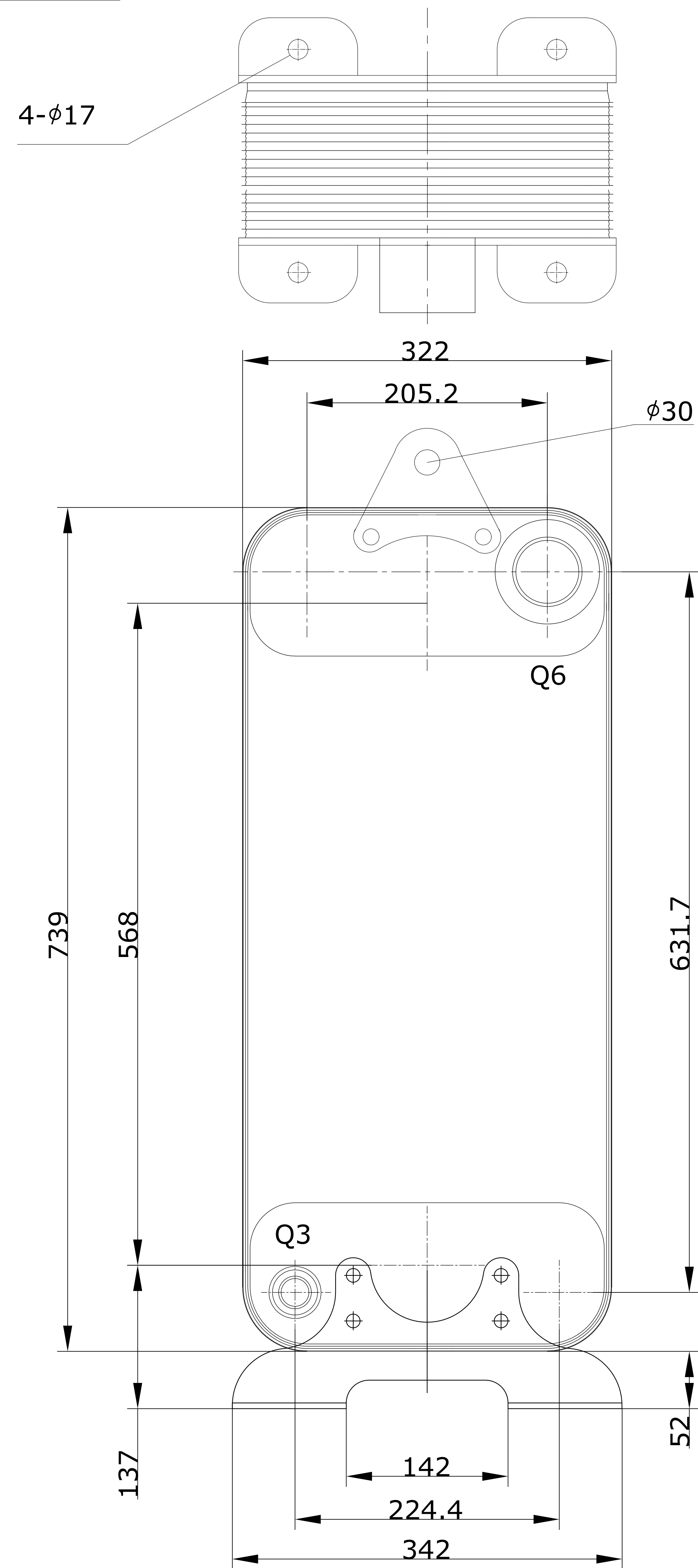


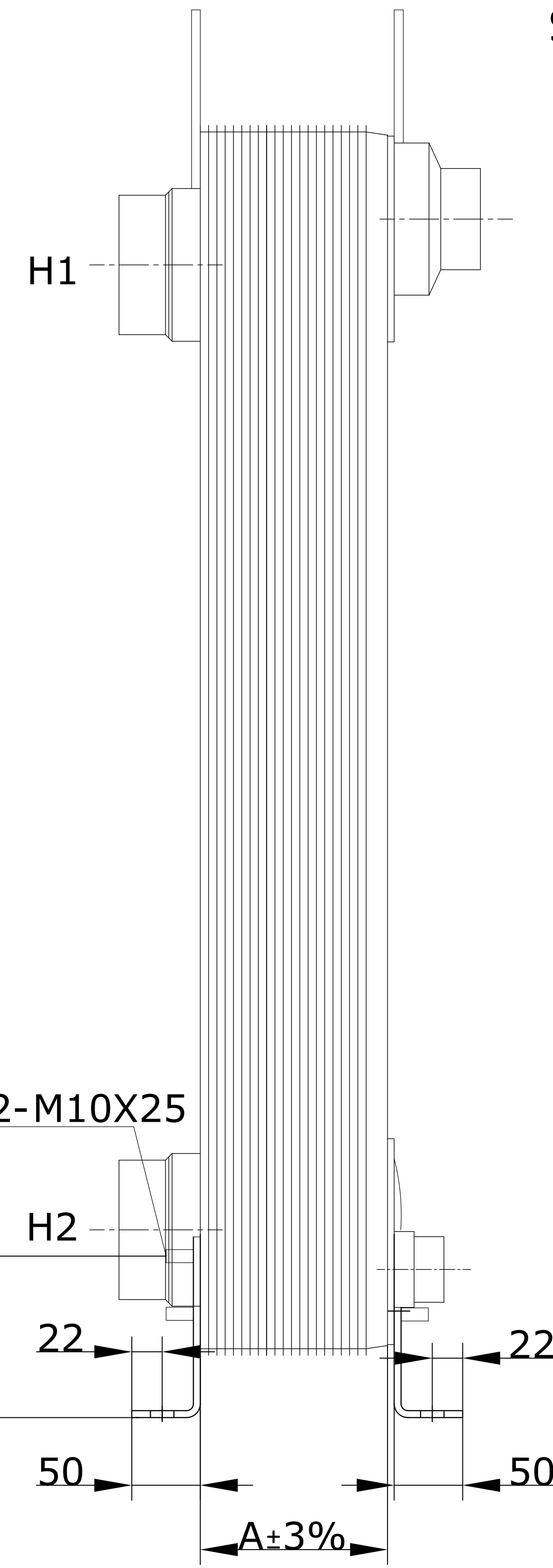
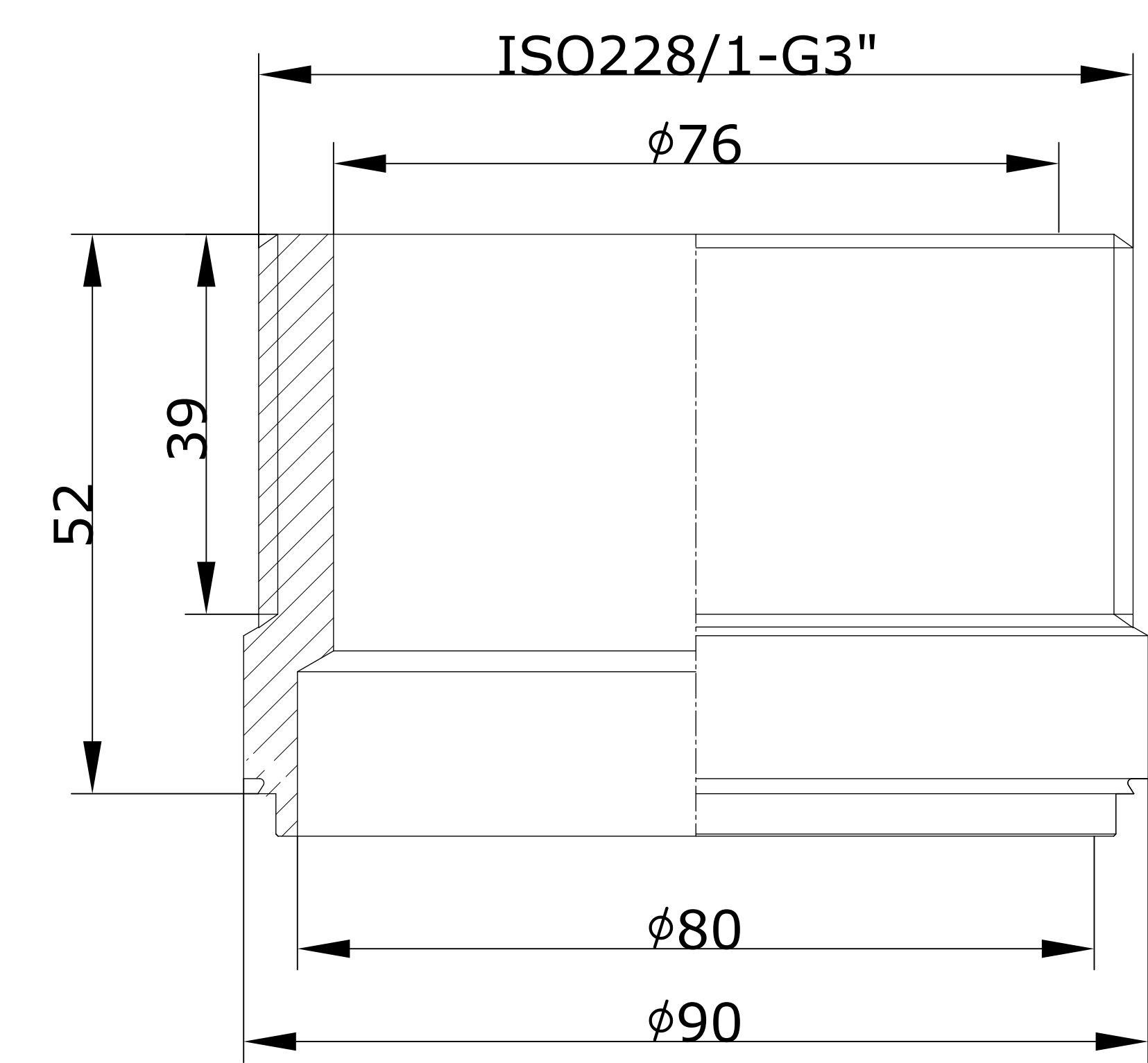
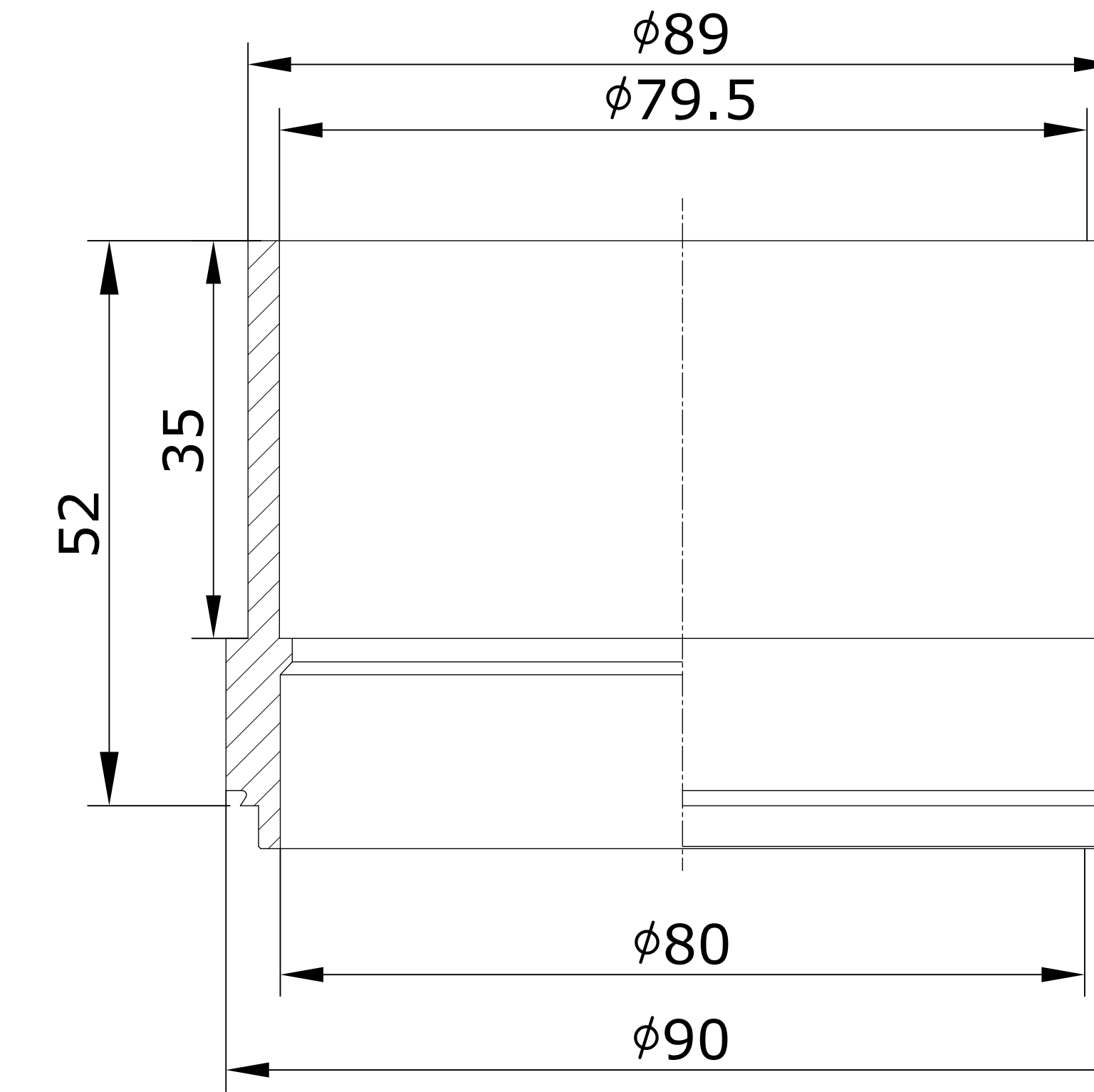
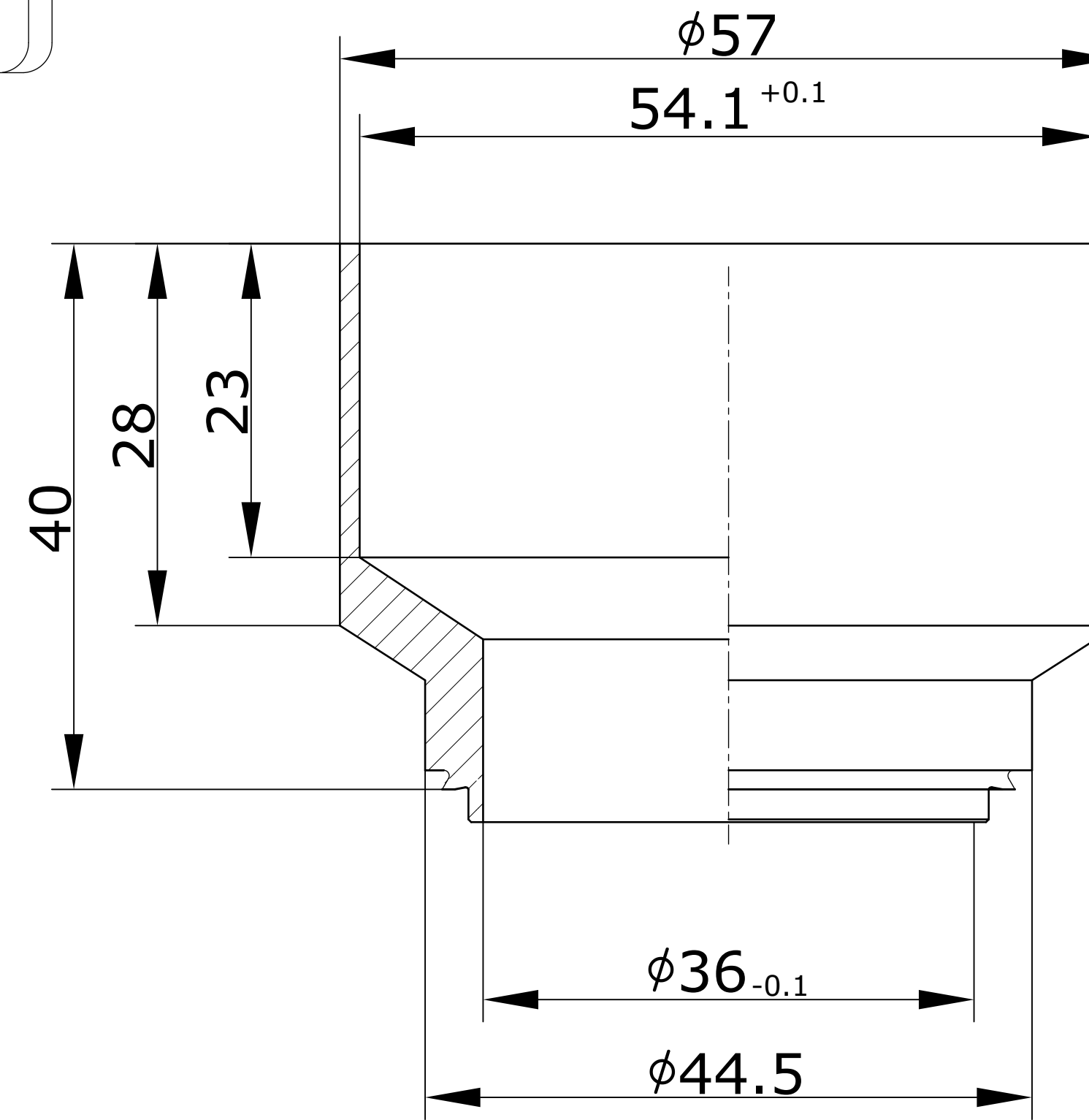
CONTROLLED



Q3
H2"1/8(H421)
Solder connection

Q6
H3"1/8(L8312)
Solder connection

H1-H2
L3"(LW830)
Thread connection



Note: Add feet

DESIGN DATA	
DESIGN PRESSURE	3.0MPa
TEST PRESSURE	4.5MPa
DESIGN TEMPERATURE	-196/+225
LEAKAGE TEST	Helium Test
WEIGHT	210 Kg
VOLUME	Q1Q2: 67.5L
	H3H4: 67L
PLATE MATERIAL	316L
PIPE MATERIAL	304
FRAME MATERIAL	304

ID	RIDAN Code	Drawing No.	Model	Plates(n)	A
1	111B0221R	23011570	210	270	713

Assembly drawing	DEPARTMENT	Sales Department	DATE	2023/03/14	SCALE		
	DESIGNER	JLN					
	INSPECTOR	ZJF					
	APPROVAL	FL					
DRAWING NO.		23011570		DESIGNATION: RD-210-270-3,0-HQ -Q3(H2"1/8)Q6(3"1/8)/ H1H2(L3)/12- M10*25		REV. 0	