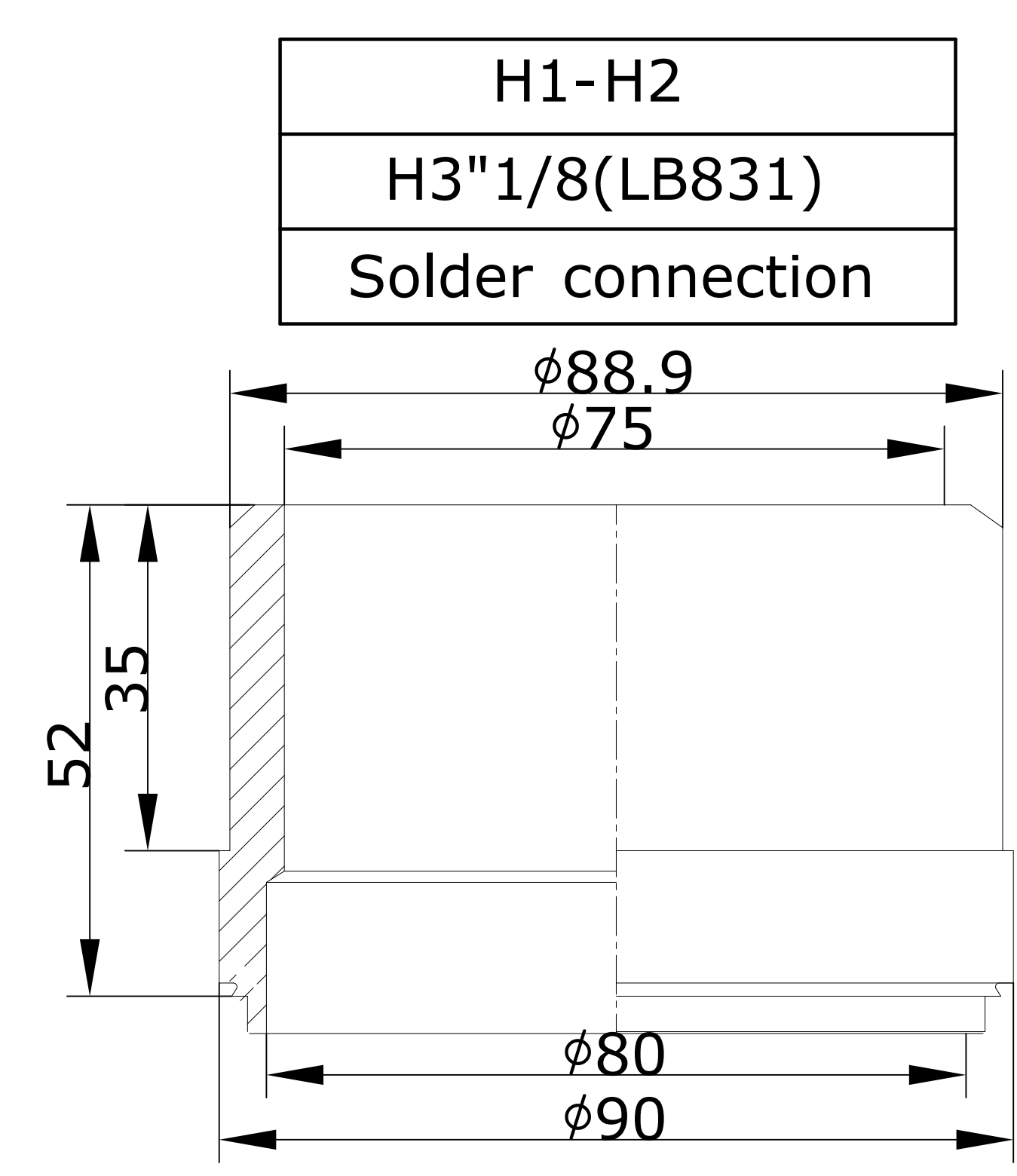
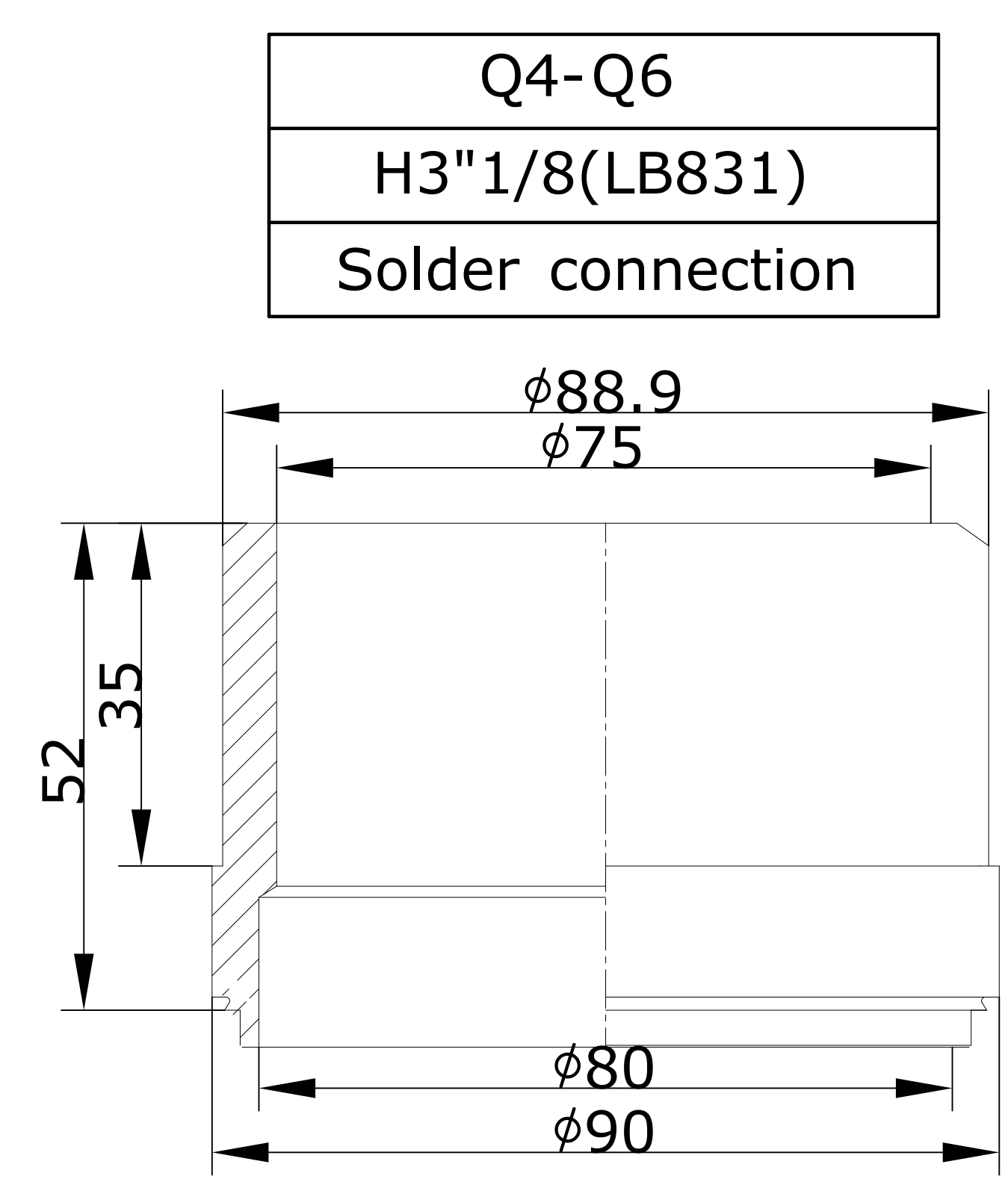
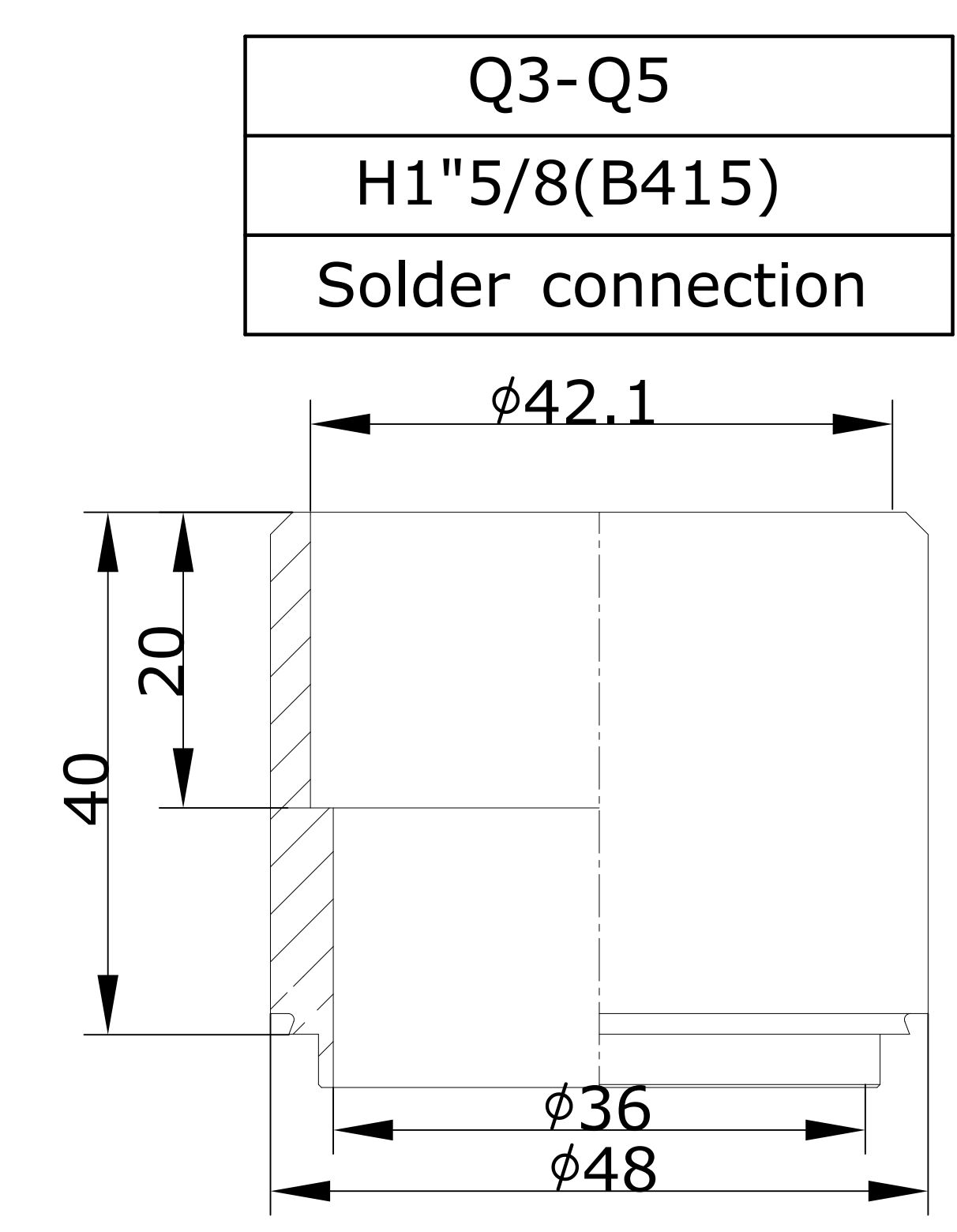
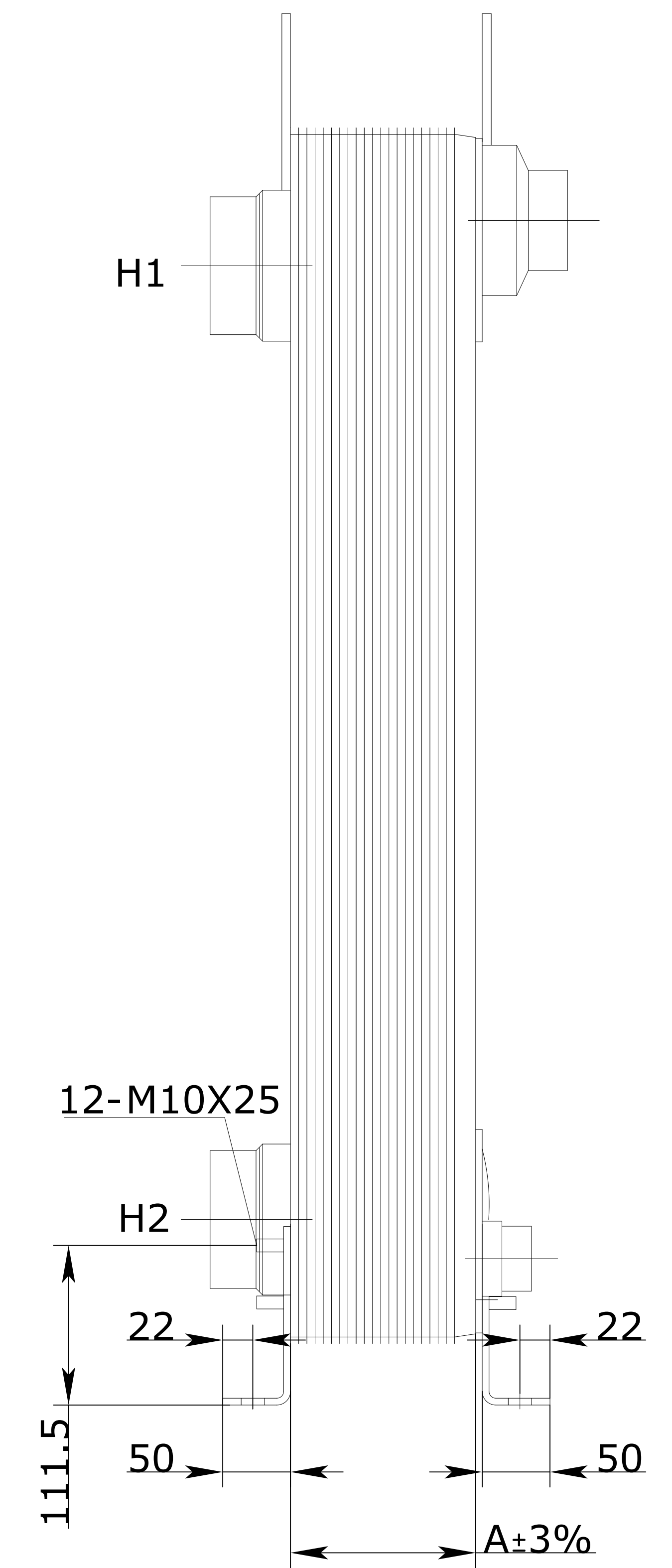
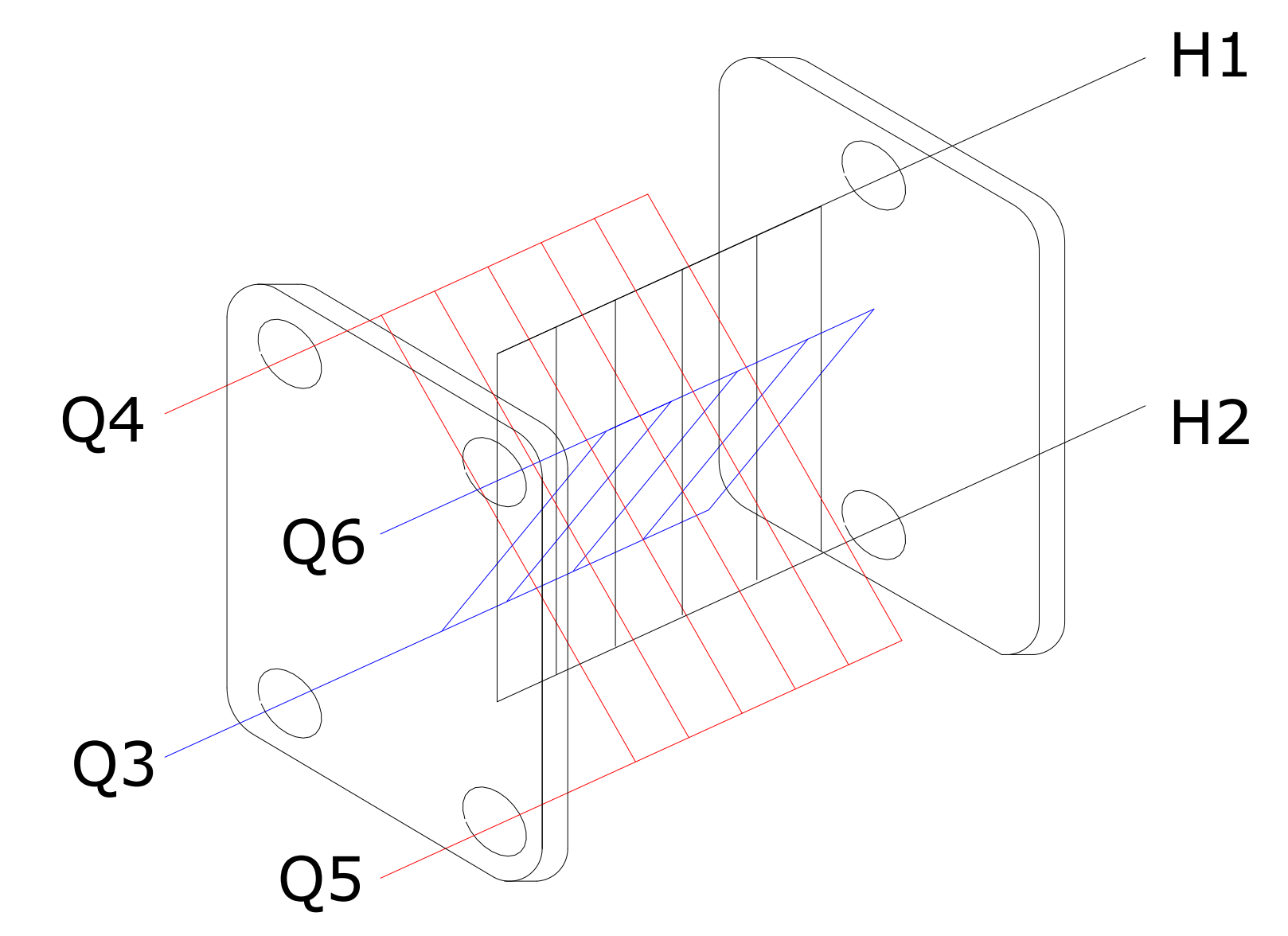
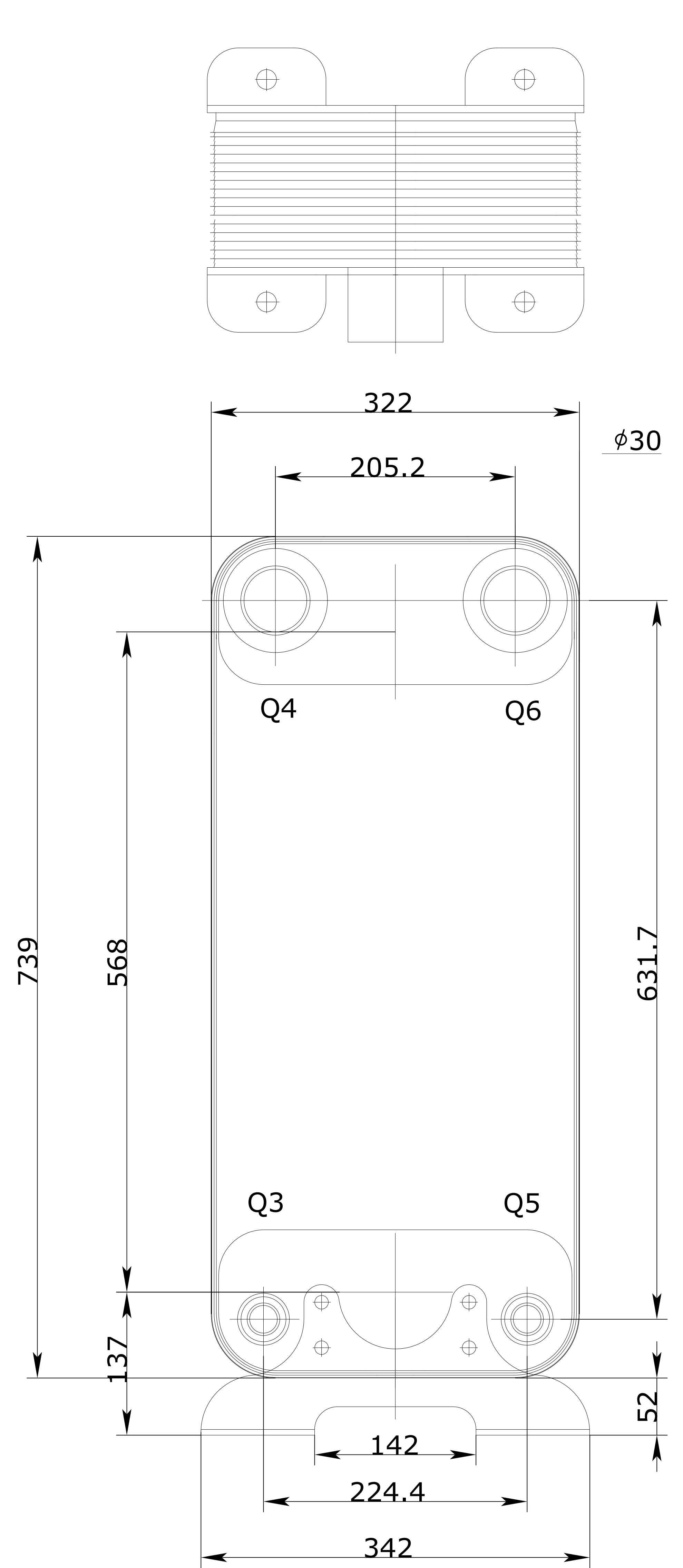
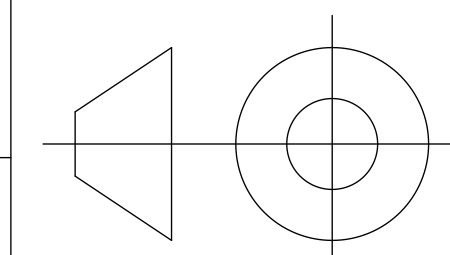



CONTROLLED



ID	RIDAN Code	Drawing No.	Model	Plates(n)	A
1	111B0224R	23011839	210	270	717

DESIGN DATA	
DESIGN PRESSURE	3.0MPa
TEST PRESSURE	4.5MPa
DESIGN TEMPERATURE	-196/+225
LEAKAGE TEST	Helium Test
WEIGHT	215 Kg
VOLUME	Q3Q5Q4Q6: 67.5L H1H2: 33.25L
PLATE MATERIAL	316L
PIPE MATERIAL	304
FRAME MATERIAL	304

Assembly drawing	DEPARTMENT	Sales Department	DATE	2023/03/25	SCALE		
	DESIGNER	JLN					
	INSPECTOR	ZJF					
	APPROVAL	FL					
	DRAWING NO.	23011839					DESIGNATION: RD-210-270-3,0-HDQ-Q3Q5(H1"5/8)/Q4Q6H1H2(H3"1/8)/12- M10*25 REV. 0