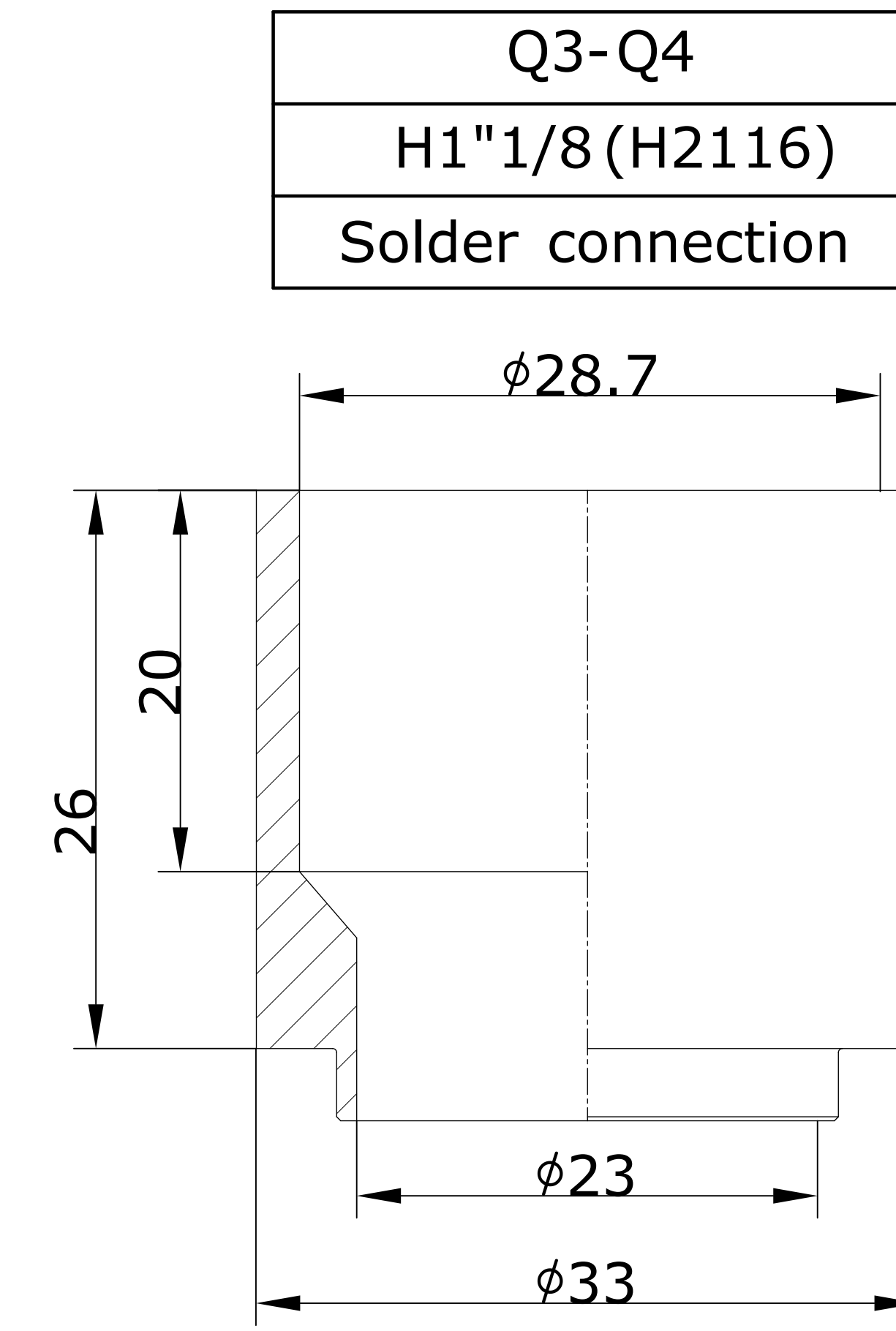
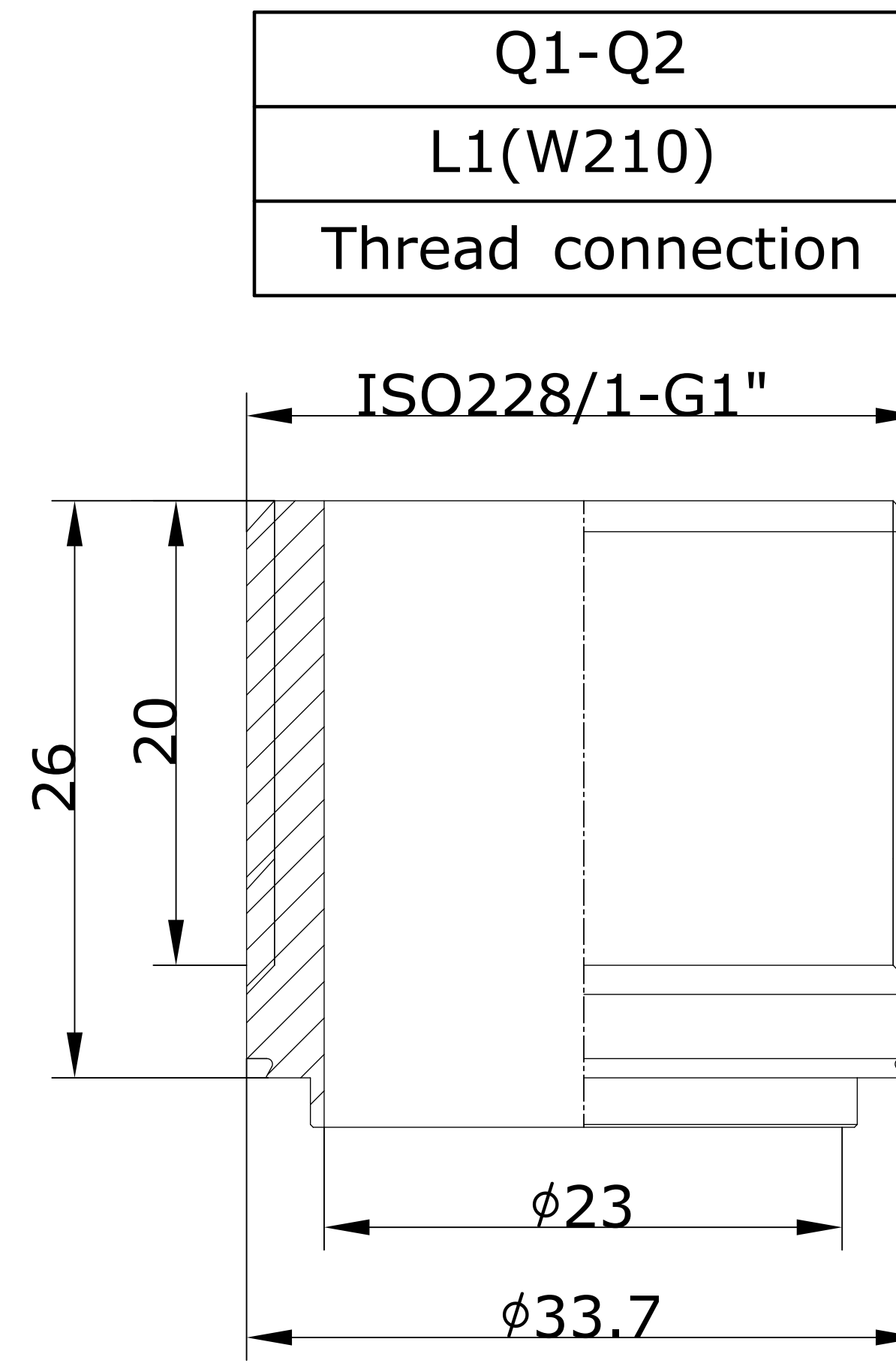
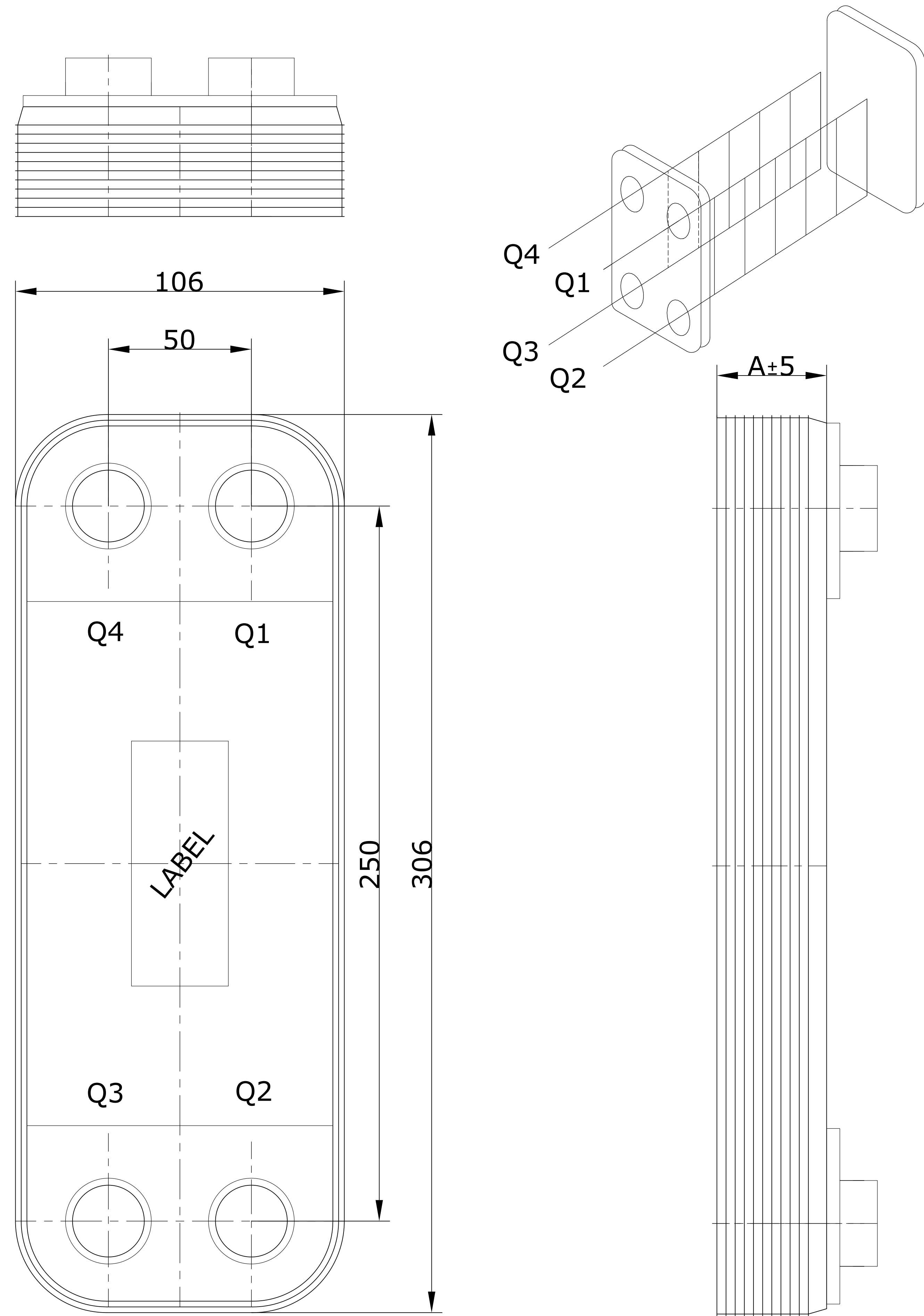


CONTROLLED



Note: Add feet

DESIGN DATA	
DESIGN PRESSURE	4.5MPa
TEST PRESSURE	6.75MPa
DESIGN TEMPERATURE	-196/+225
LEAKAGE TEST	Helium Test
WEIGHT	1.6Kg
VOLUME	Q1Q2: 0.513L
	Q3Q4: 0.456L
PLATE MATERIAL	316L
PIPE MATERIAL	304
FRAME MATERIAL	304

ID	RIDAN Code	Drawing No.	Model	Plates(n)	A
1	021B0227R	23012449	027W	18	51

Assembly drawing	DEPARTMENT	Sales Department	DATE	SCALE		
	DESIGNER	JLN	2023/04/27			
	INSPECTOR	ZJF				RD-027W-18-4,5-H- DESIGNATION: Q1Q2(L1)/Q3Q4(H1 1/8)
	APPROVAL	FL		DRAWING NO.	23012449	REV. 0