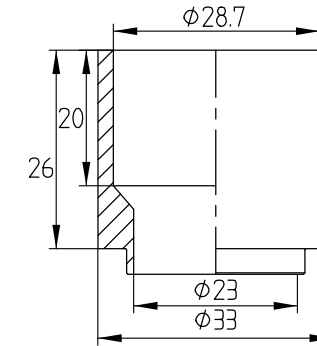
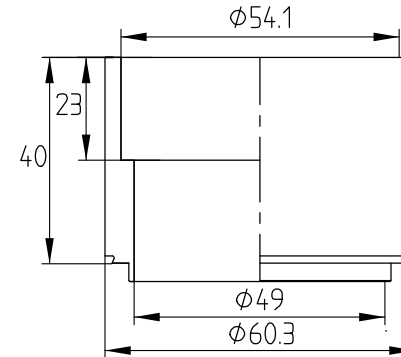


Q1Q2Q4
H2''1/8(H5212)
Soldering Connection

Q3
H1''1/8(H2116)
Soldering Connection



DESIGN DATA	
DESIGN PRESSURE	3.0Mpa
TEST PRESSURE	4.5MPa
DESIGN TEMPERATURE	-196/+225
LEAKAGE TEST	Helium Test
PLATE MATERIAL	316L
PIPE MATERIAL	304
FRAME MATERIAL	304

ID	RIDAN Code	Drawing No.	Model	Plates(n)	A	WEIGHT	VOLUME
1	021B6007R	2306642	095	50	126	25Kg	Q1Q2.5L/Q3Q4:4.8L

Assembly drawing	DEPARTMENT Sales	DATE	SCALE		
	DESIGNER JLN	2022/06/28			
	INSPECTOR ZJF	2022/06/28			
	APPROVAL FL	2022/06/28			
DRAWING NO.		2306642			
DESIGNATION		RD-095-50-3.0-HQ-Q1Q2 (H2''1/8)/Q3(H1''1/8)/Q4(H2''1/8)/4-M8*23			
REV		1			

Version	Change date	Description	State	Designer
1	2022/06/29	Add feets	①	JLN