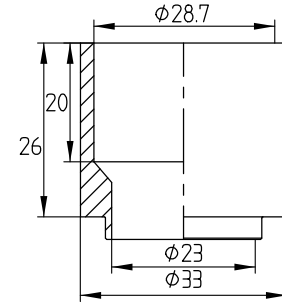
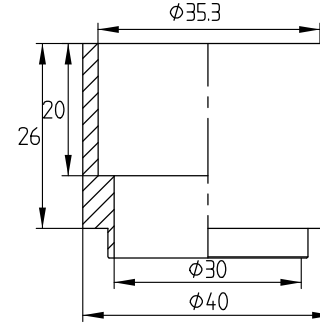


Q1-Q2
H1'3/8(H3131)
Welded Connection

Q3-Q4
H1'1/8(H2116)
Welded Connection



Note: Add unit foot

ID	RIDAN Code	Drawing No.	Modle	Plates(n)	A	WEIGHT	VOLUME
1	021H3281R	2305507	052	30	79	8.64Kg	Q1Q2:1.5L/Q3Q4:1.4L

		DESIGN DATA			
DESIGN PRESSURE		3.0MPa			
TEST PRESSURE		4.5MPa			
DESIGN TEMPERATURE		-196/+225			
LEAKAGE TEST		Helium Test			
PLATE MATERIAL		316L			
PIPE MATERIAL		304			
FRAME MATERIAL		304			
Assembly drawing	DEPARTMENT	Sales	DATE	SCALE	 <b>ридан®</b> DESIGNATION RD-052-30-3.0-L-Q1Q2 (H1'3/8)/Q3Q4(H1'1/8)/4-M8*23
	DESIGNER	JLN	2022/05/06		
	INSPECTOR	ZJF	2022/05/06		
	APPROVAL	FL	2022/05/06		
DRAWING NO.		2305507		REV	0