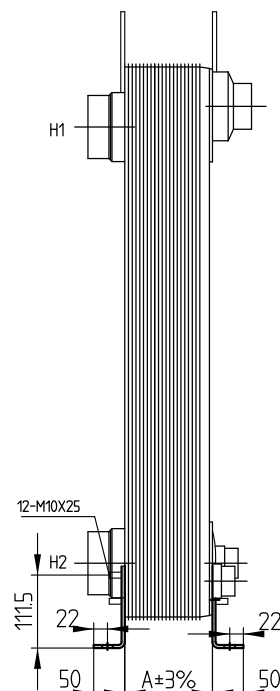
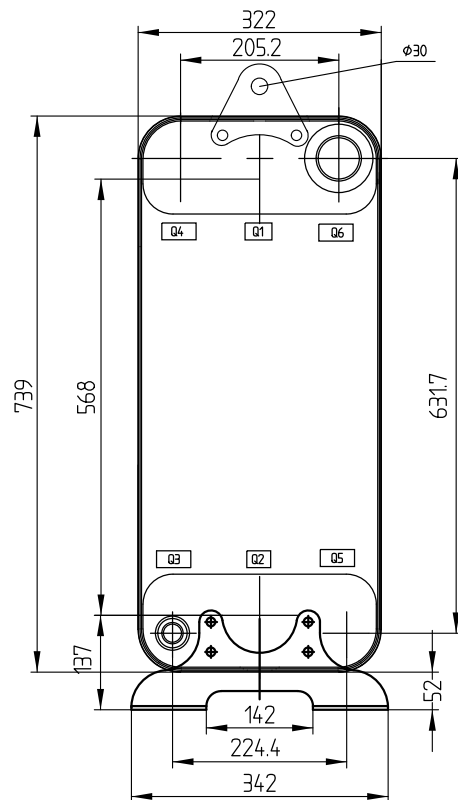
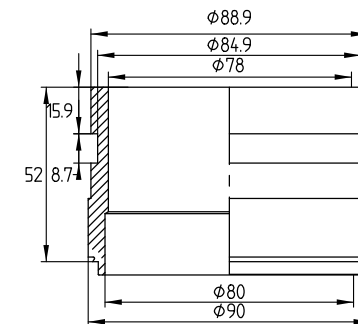
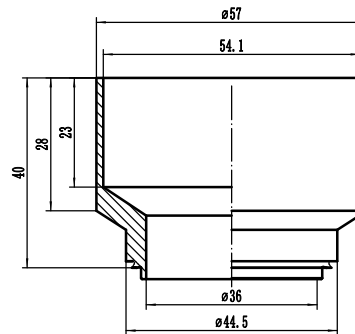


Q3
H2"1/8(H421)
Welded
Connection

Q6-H1-H2
H3"1/8(LJ830)
Victaulic
Connection



Note: Add unit foot and lifting lug

DESIGN DATA	
DESIGN PRESSURE	3.0MPa
TEST PRESSURE	4.5MPa
DESIGN TEMPERATURE	-196/+225
LEAKAGE TEST	Helium Test
PLATE MATERIAL	316L
PIPE MATERIAL	304
FRAME MATERIAL	304

ID	RIDAN Code	Drawing No.	Model	Plates(n)	A	WEIGHT	VOLUME
1	021H4783R	2305516	210	80	217	69.9Kg	Q3Q6:19.5L/H1H2:20L

Assembly drawing	DEPARTMENT	Sales	DATE	SCALE			
	DESIGNER	JLN	2022/05/06				
	INSPECTOR	ZJF	2022/05/06				
	APPROVAL	FL	2022/05/06				
DESIGNATION		RD-210-80-3.0-HQ-H1H2Q6H3"1/8/Q3(H2"1/8)/12-M10*25		DRAWING NO.	2305516	REV	0