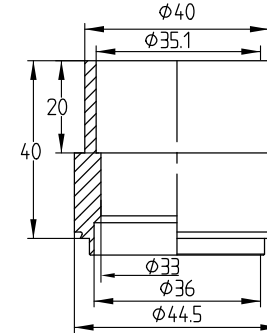
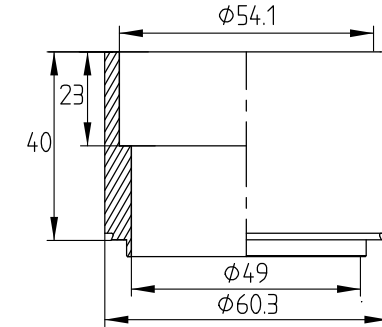


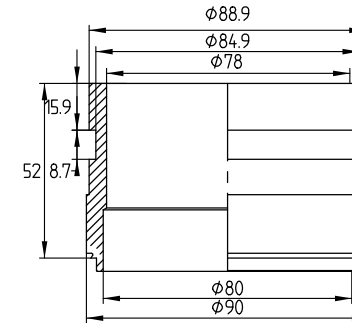
Q3-Q5
H1~3/8(H4138)
Welded Connection



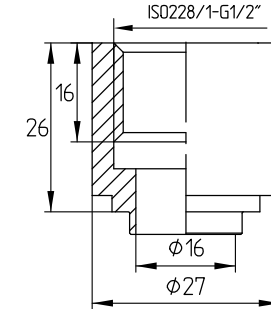
Q4-Q6
H2~1/8(H5212)
Welded Connection



H1-H2
H3~1/8(LJ830)
Victaulic Connection



Q1-Q2
N1/2(N104)
Thread Connection



ID	RIDAN Code	Drawing No.	Model	Plates(n)	A	WEIGHT	VOLUME
1	021H8459R	2305527	210	118	316	97Kg	H1H2:29.5L/Q3Q6:14.5L/Q4Q5:14.5L

DESIGN DATA	
DESIGN PRESSURE	4.5MPa
TEST PRESSURE	6.75MPa
DESIGN TEMPERATURE	-196/+225
LEAKAGE TEST	Helium Test
PLATE MATERIAL	316L
PIPE MATERIAL	304
FRAME MATERIAL	304

Assembly drawing	DEPARTMENT	Sales	DATE	SCALE	 RD-210-118-4,5-HDQ-Q1Q2(N1/2) DESIGNATION /Q3Q5(H1~3/8)/Q4Q6(H2~1/8)/ H1H2(H3~1/8)/12-M10*25
	DESIGNER	JLN	2022/05/06		
	INSPECTOR	ZJF	2022/05/06		
	APPROVAL	FL	2022/05/06	DRAWING NO.	
				REV	0