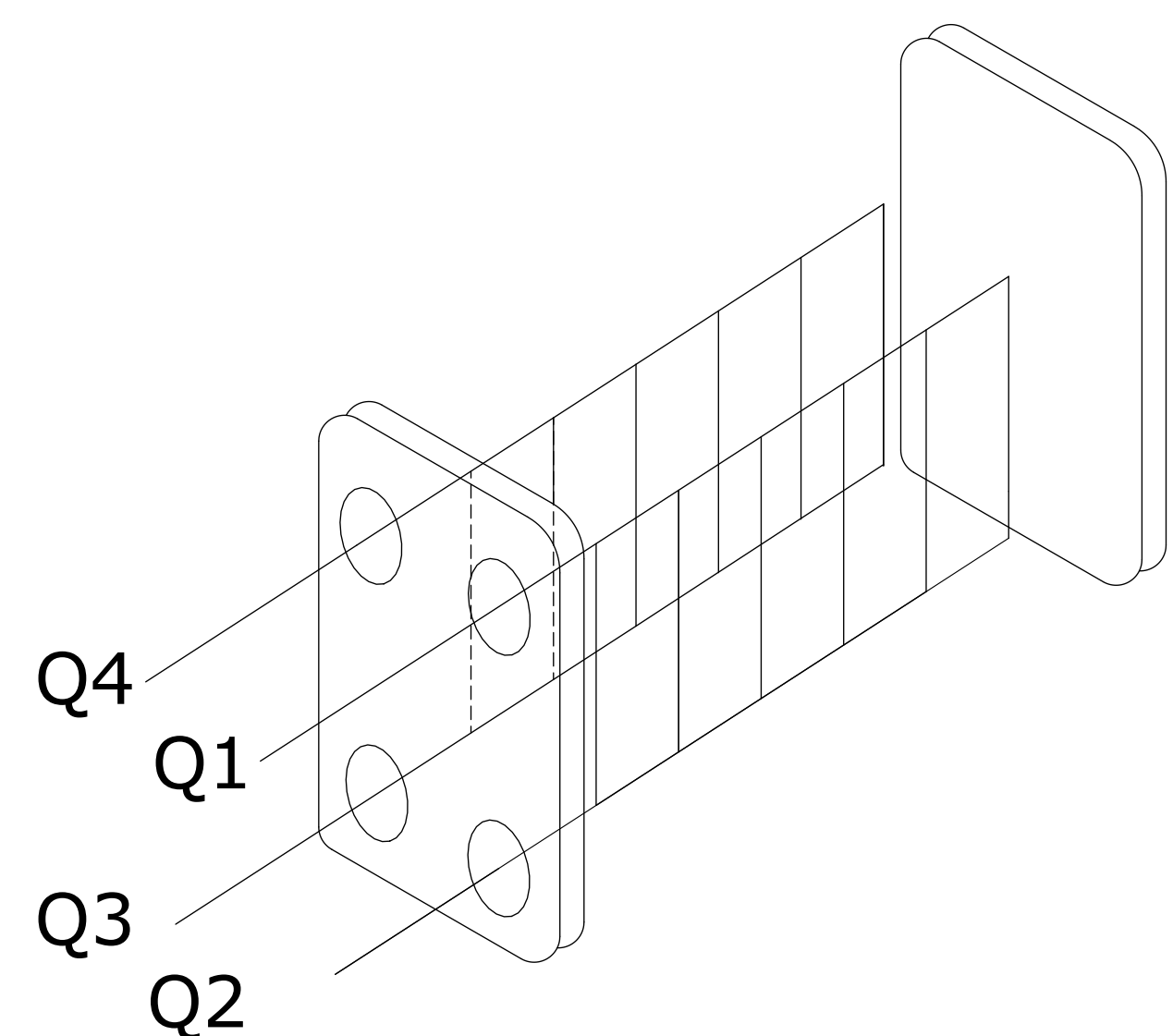
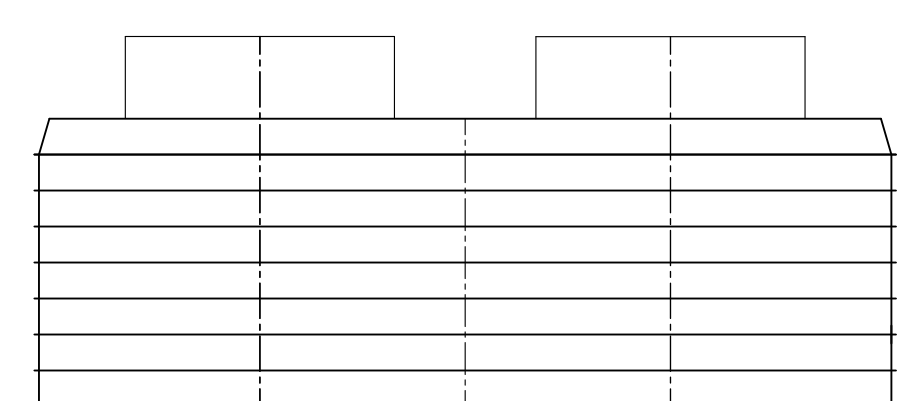


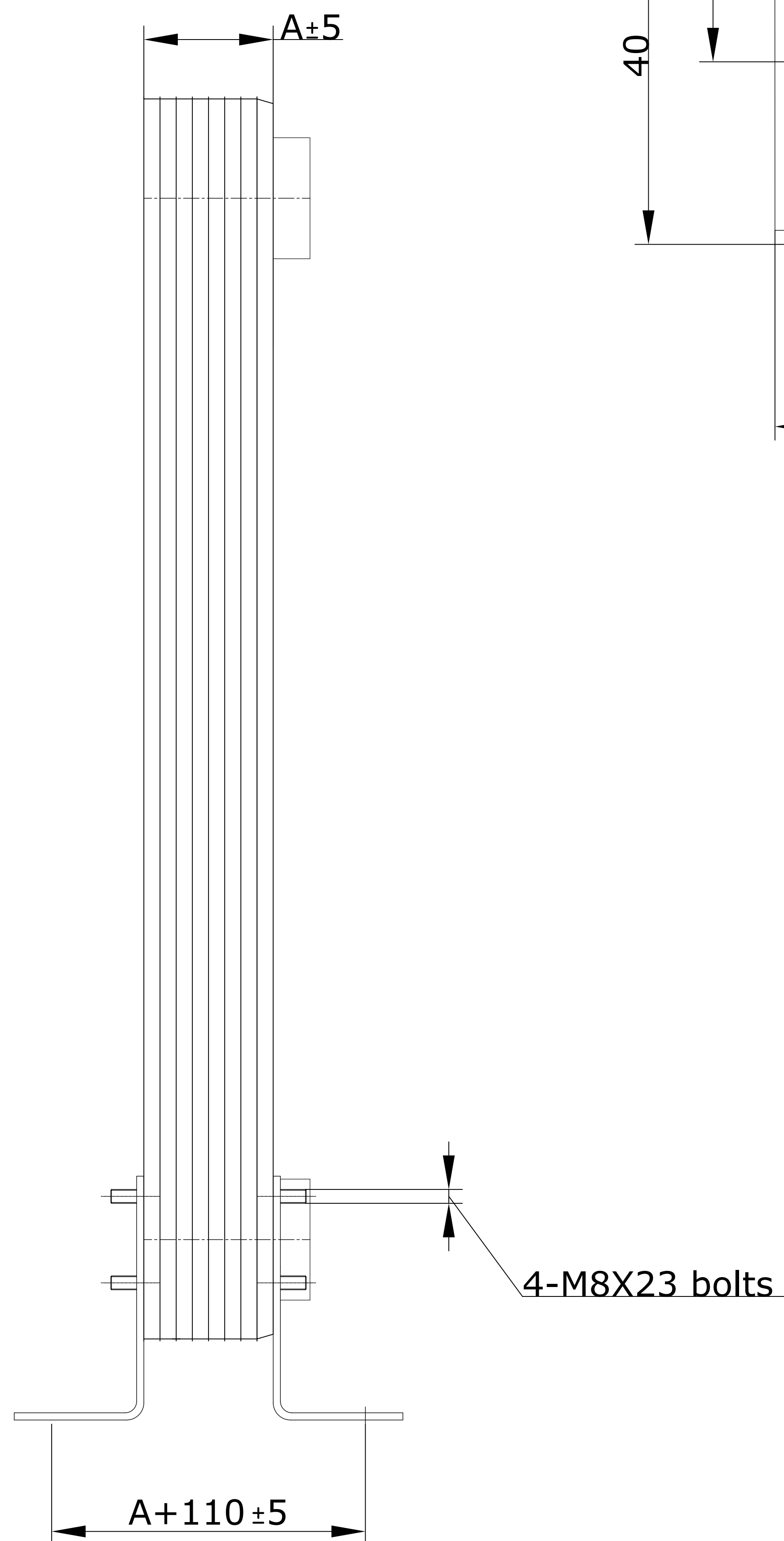
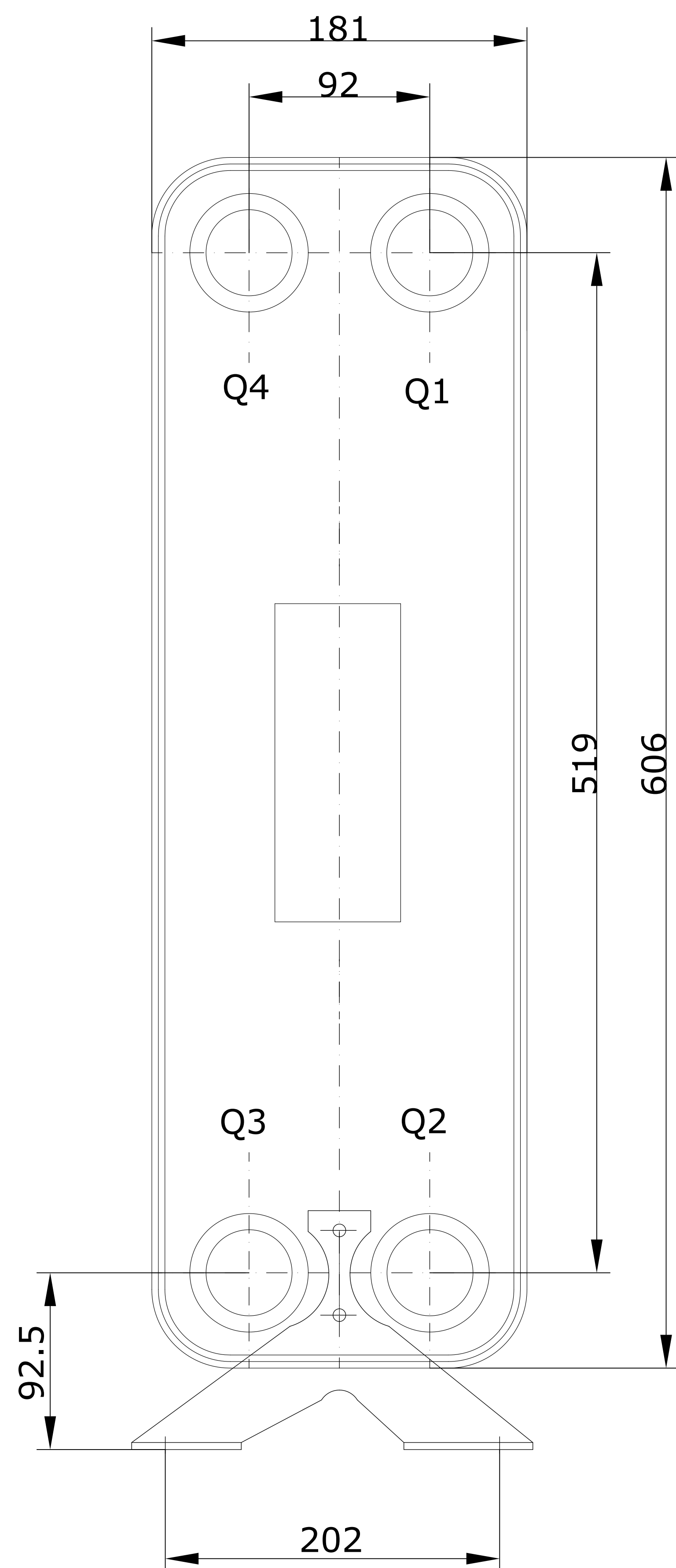
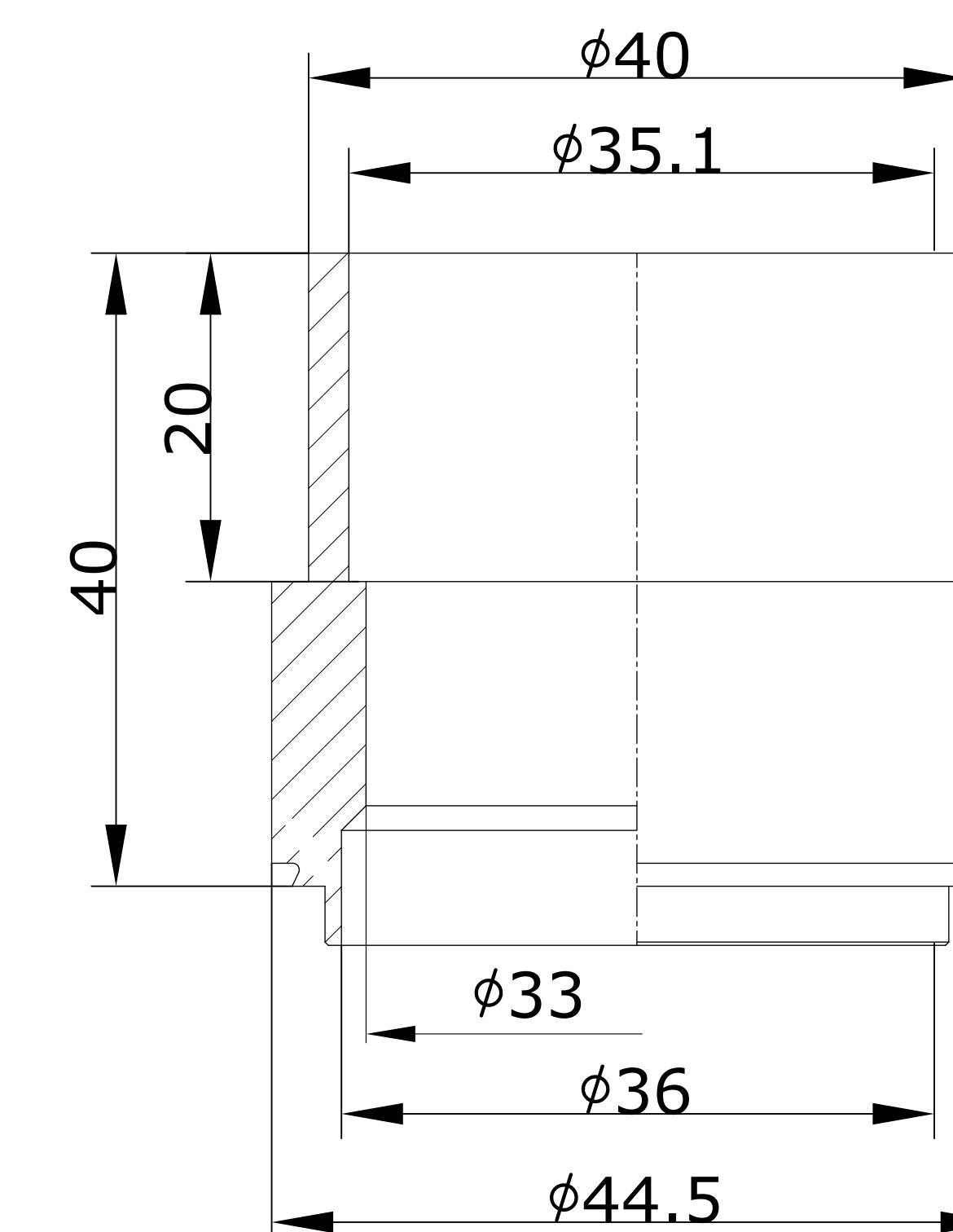
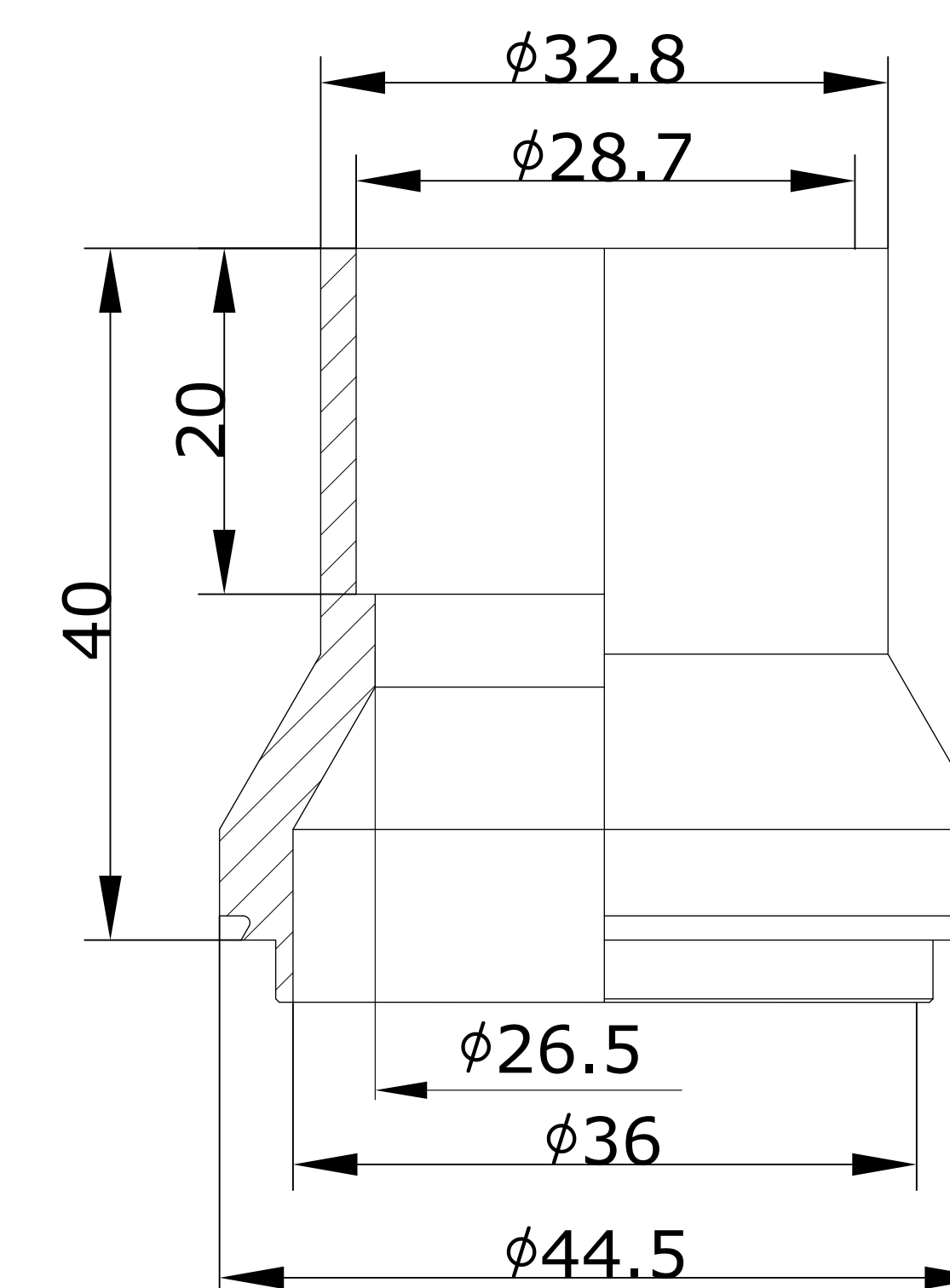
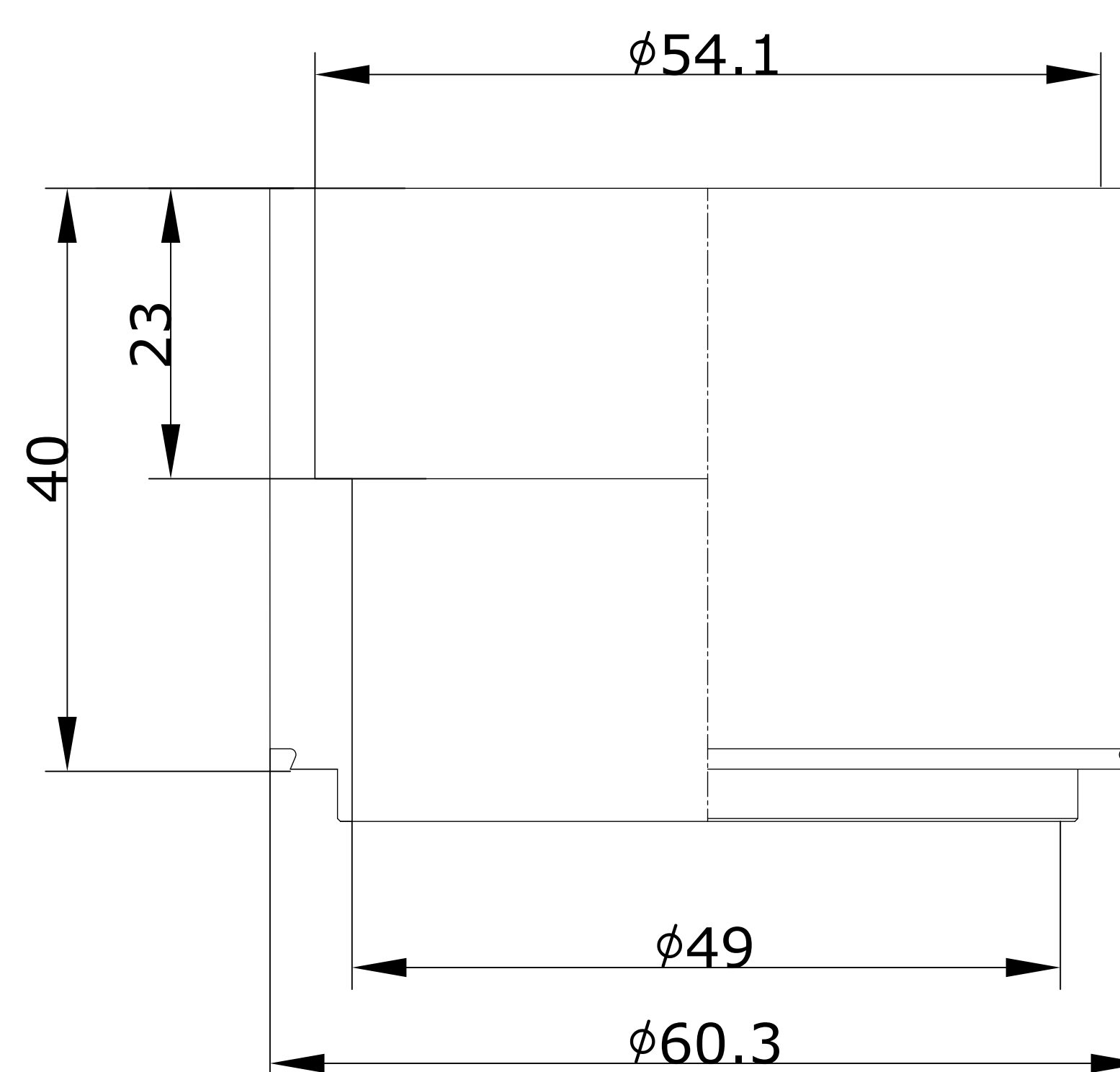
CONTROLLED



Q1-Q2
H2"1/8 (H5212)
Solder connection

Q3
H1"1/8 (H4114)
Solder connection

Q4
H1"3/8 (H4138)
Solder connection



Note: Add feet

DESIGN DATA	
DESIGN PRESSURE	3.0MPa
TEST PRESSURE	4.5MPa
DESIGN TEMPERATURE	-196/+225
LEAKAGE TEST	Helium Test
WEIGHT	13 Kg
VOLUME	Q1Q2: 2.5L
	Q3Q4: 2.25L
PLATE MATERIAL	316L
PIPE MATERIAL	304
FRAME MATERIAL	304

ID	RIDAN Code	Drawing No.	Model	Plates(n)	A
1	111B0189R	2309380	095	20	67

Assembly drawing	DEPARTMENT	Sales Department	DATE	SCALE	 RD-095B-20-3,0-H- Q3(H1"1/8)Q4(H1"3/8)/ Q1Q2(H2"1/8)/4- M8*23 DESIGNATION:
	DESIGNER	JLN	2022/11/18		
	INSPECTOR	ZJF			
	APPROVAL	FL		DRAWING NO. 2309380	