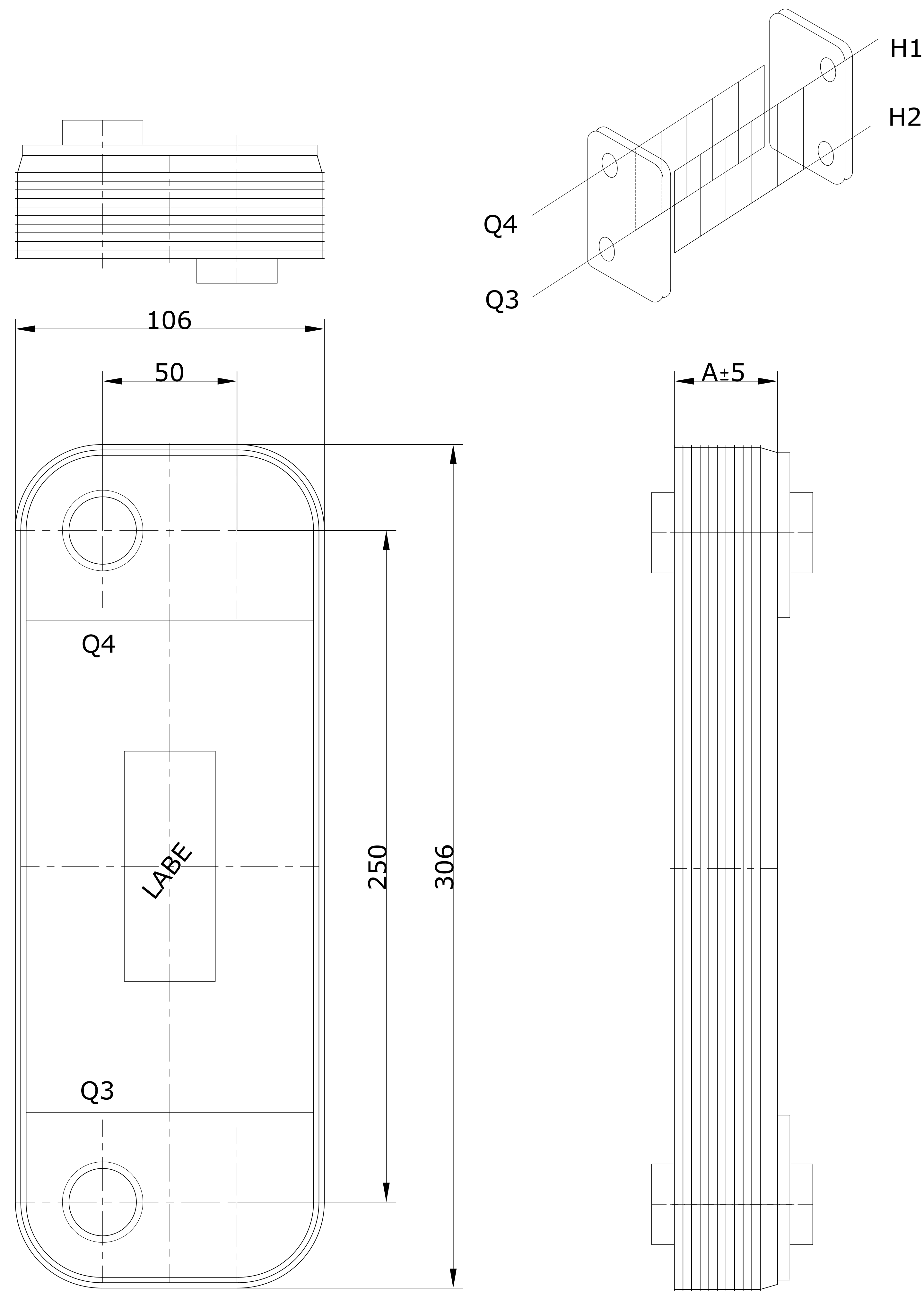
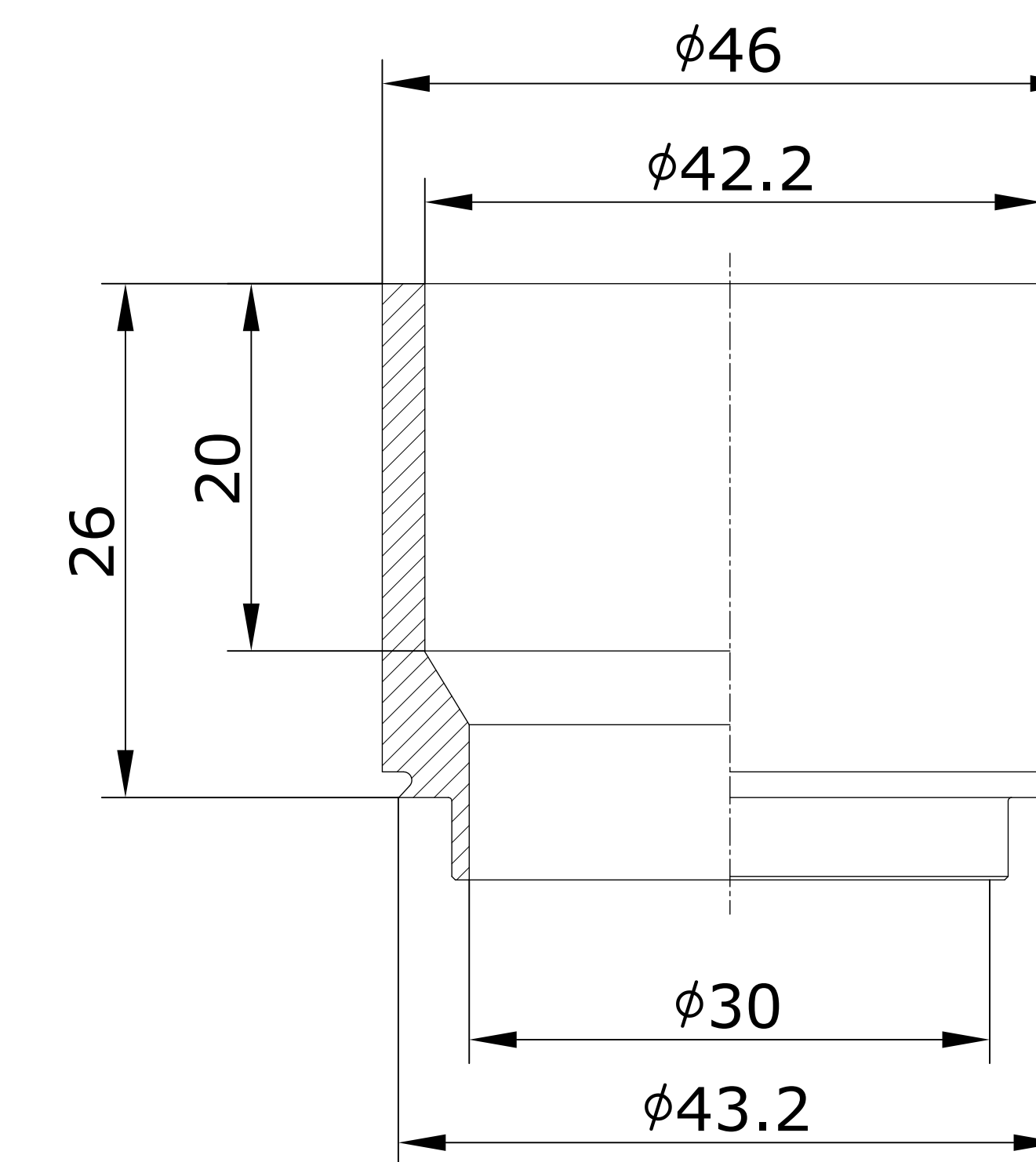
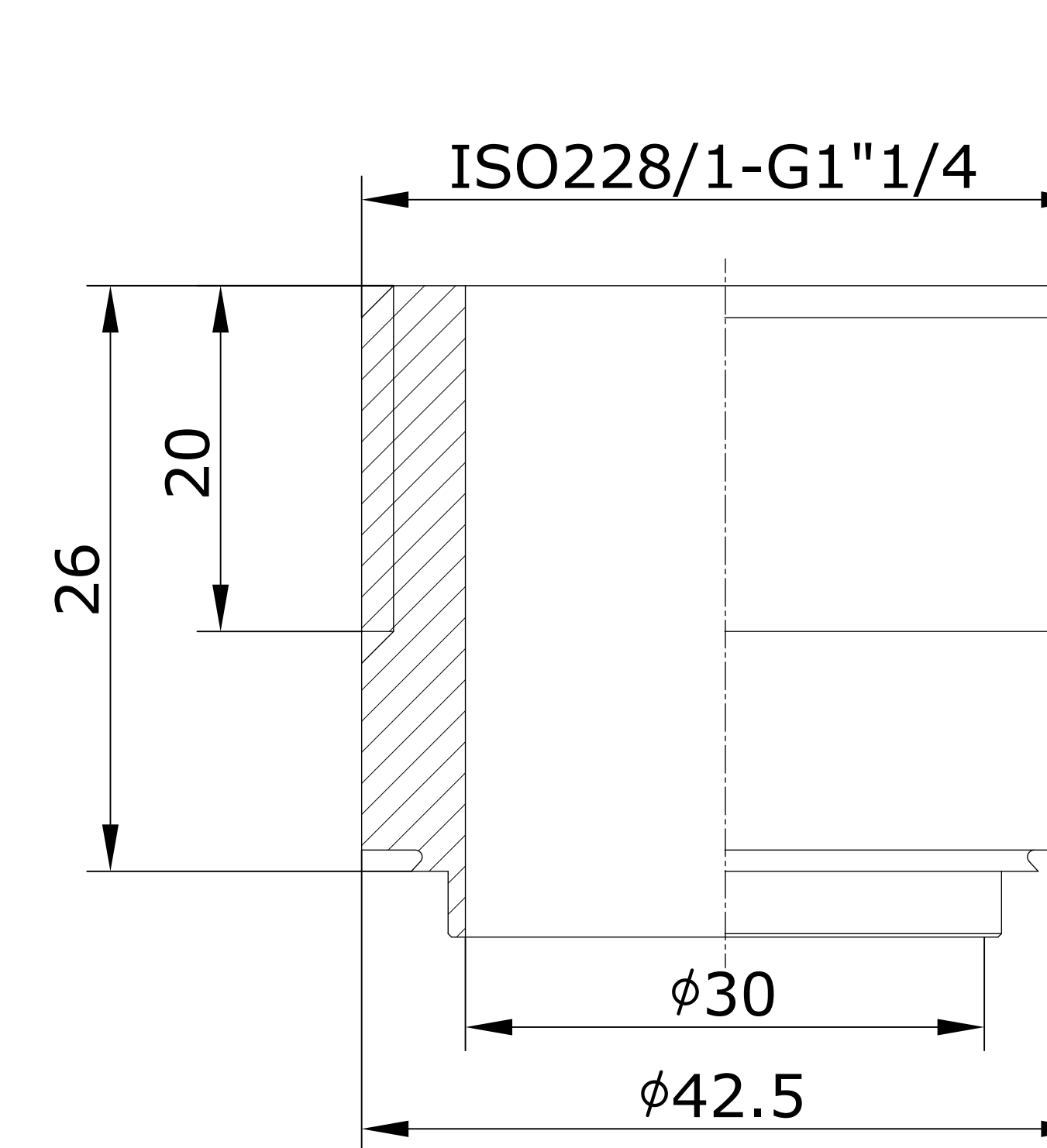


CONTROLLED




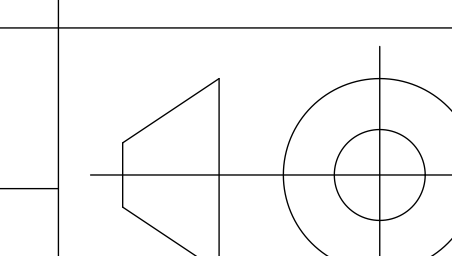
| |
|-------------------|
| H1-H2 |
| G1"1/4(W312) |
| Thread connection |

| |
|-------------------|
| Q3-Q4 |
| H1"5/8(H315) |
| Solder connection |



| ID | RIDAN Code | Drawing No. | Model | Plates(n) | A | Weight | Volume |
|----|------------|--------------|-------|-----------|-----|---------|------------------------|
| 1 | 111B0247R | 23013227- 01 | 027 | 66 | 159 | 8.54Kg | H1H2:1.88L/Q3Q4:1.824L |
| 2 | 111B0249R | 23013227- 02 | 027 | 100 | 236 | 12.28Kg | H1H2:2.85L/Q3Q4:2.793L |

| DESIGN DATA | |
|--------------------|-------------|
| DESIGN PRESSURE | 4.5MPa |
| TEST PRESSURE | 6.75MPa |
| DESIGN TEMPERATURE | -196/+225 |
| LEAKAGE TEST | Helium Test |
| PLATE MATERIAL | 316L |
| PIPE MATERIAL | 304 |
| FRAME MATERIAL | 304 |

| | | | | | |
|----------------------|------------|------------------|------------|---|--|
| Assembly drawing | DEPARTMENT | Sales Department | DATE | SCALE |  RD-027-n-4,5-H-Q3Q4 DESIGNATION: (H1"5/8)/H1H2(G1"1/4) |
| | DESIGNER | JLN | 2023/06/16 |  | |
| | INSPECTOR | ZJF | | | |
| | APPROVAL | FL | | | |
| DRAWING NO. 23013227 | | | REV. 0 | | |