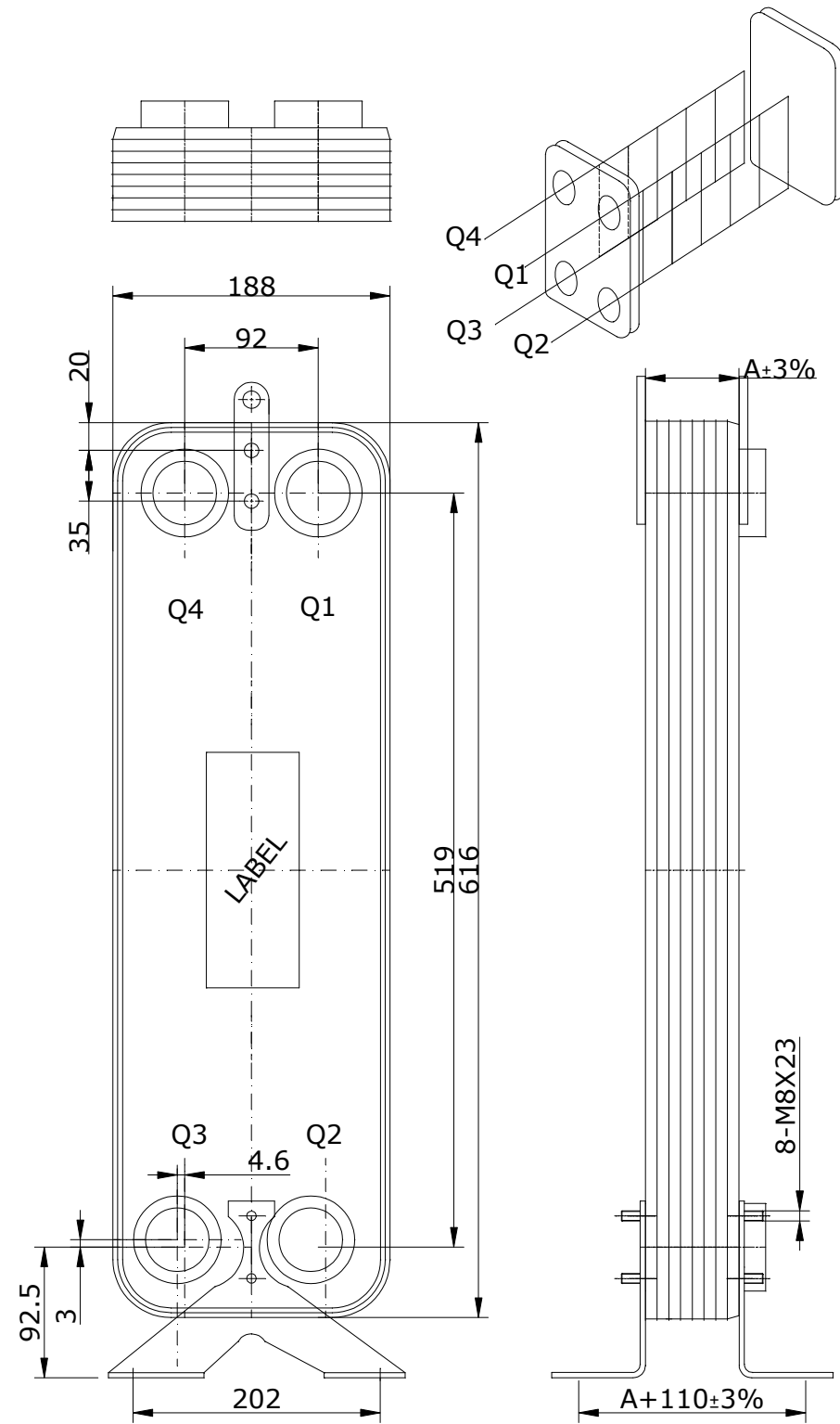
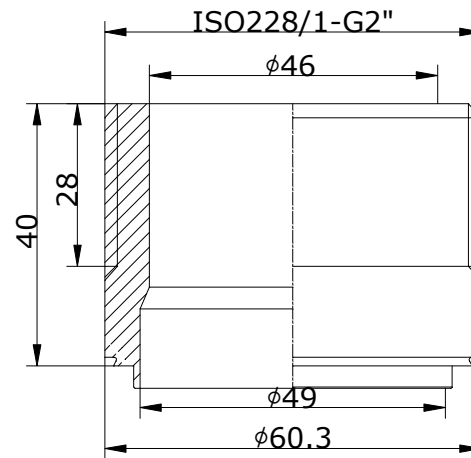


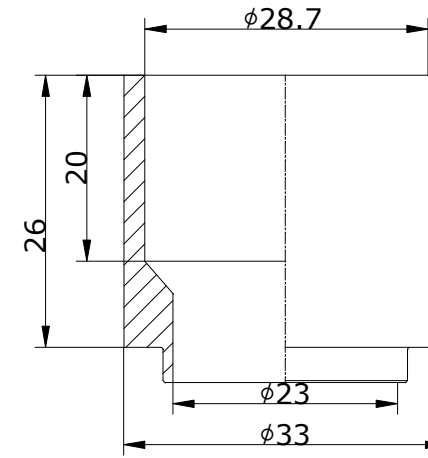
CONTROLLED



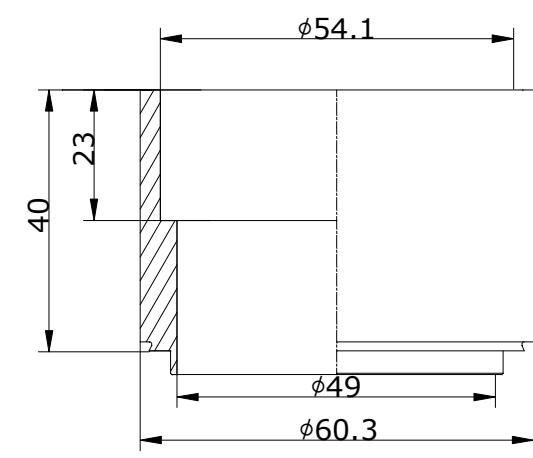
Q1-Q2
L2" (W520)
Thread connection



Q3
H1"1/8(H2116)
Solder connection



Q4
H2"1/8(H5212)
Solder connection



ID	RIDAN Code	Drawing No.	Model	Plates(n)	A	Weight	Volume
1	111B0366R	21021095	095	140	342	61.59Kg	Q1Q2:14.0L/Q3Q4:13.8L

DESIGN DATA	
DESIGN PRESSURE	3.0MPa
TEST PRESSURE	4.5MPa
DESIGN TEMPERATURE	-196/+225
LEAKAGE TEST	Helium Test
PLATE MATERIAL	316L
PIPE MATERIAL	304
FRAME MATERIAL	304

Assembly drawing	DEPARTMENT	Sales Department	DATE	2024/11/25	SCALE		
	DESIGNER	SVK	INSPECTOR	MSD	DESIGNATION:		
	APPROVAL	PVL	DRAWING NO.	23021095	REV.	0	