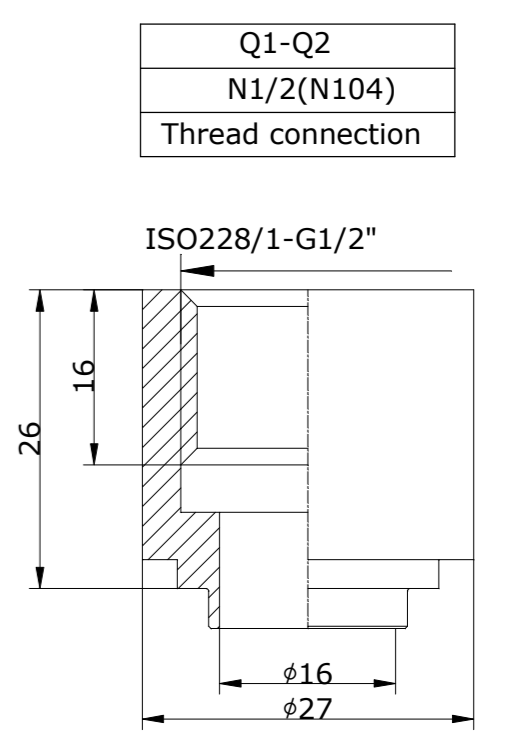
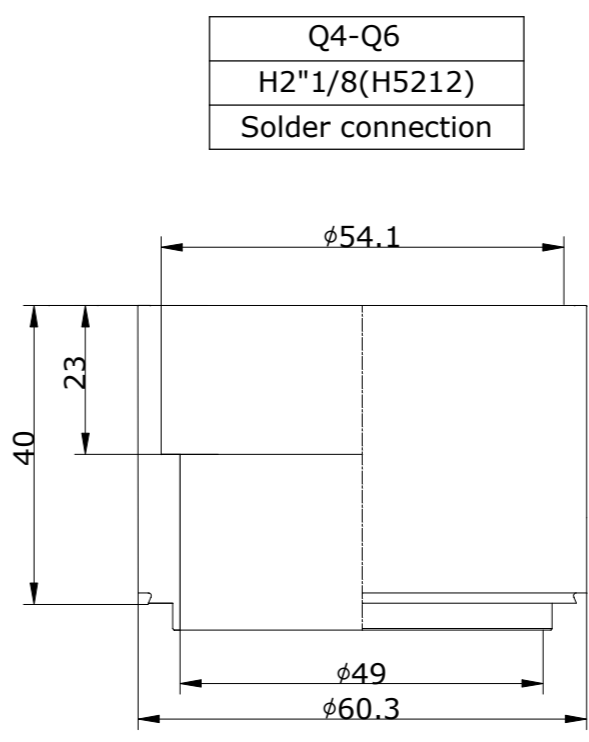
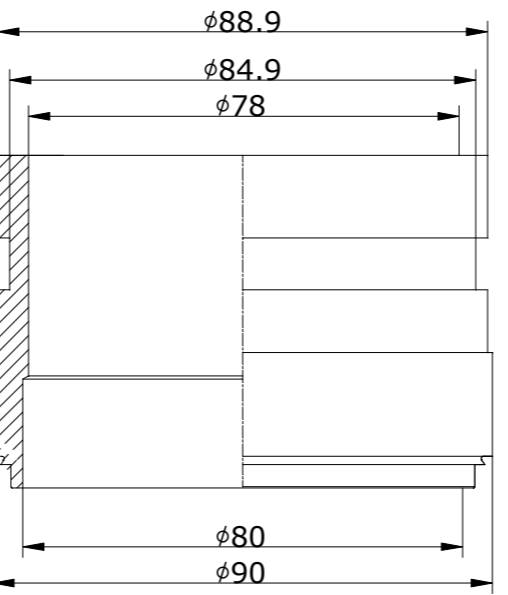
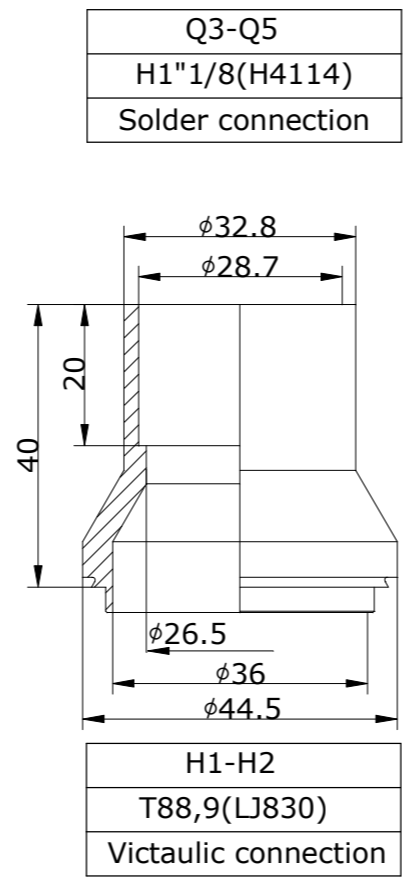
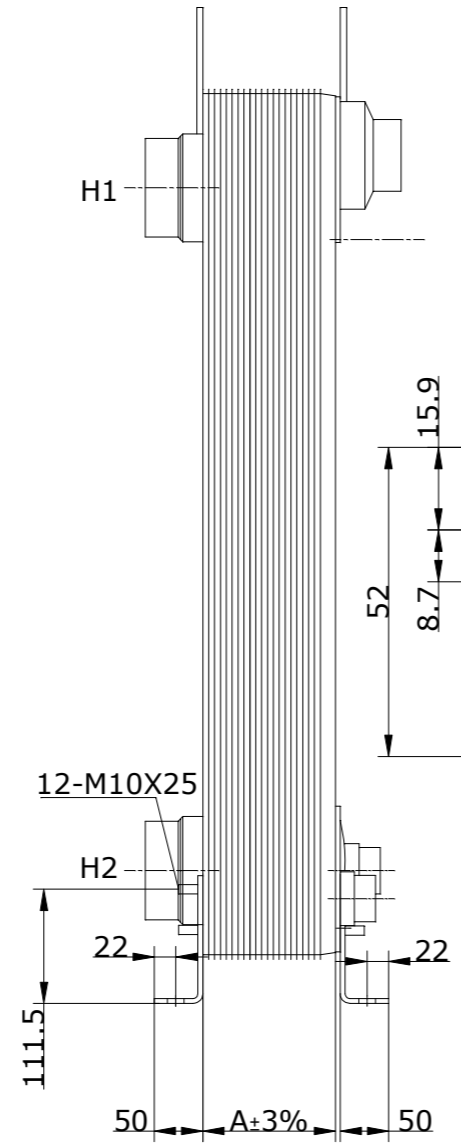
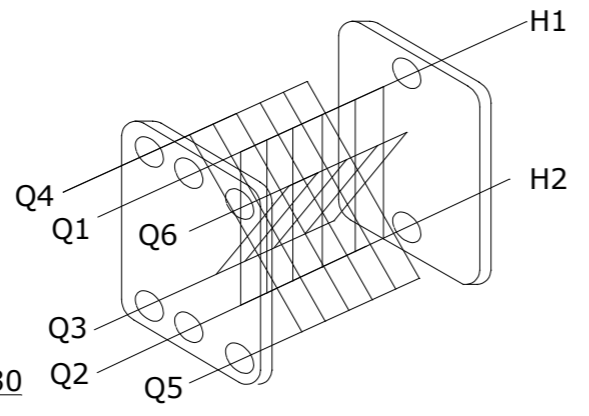
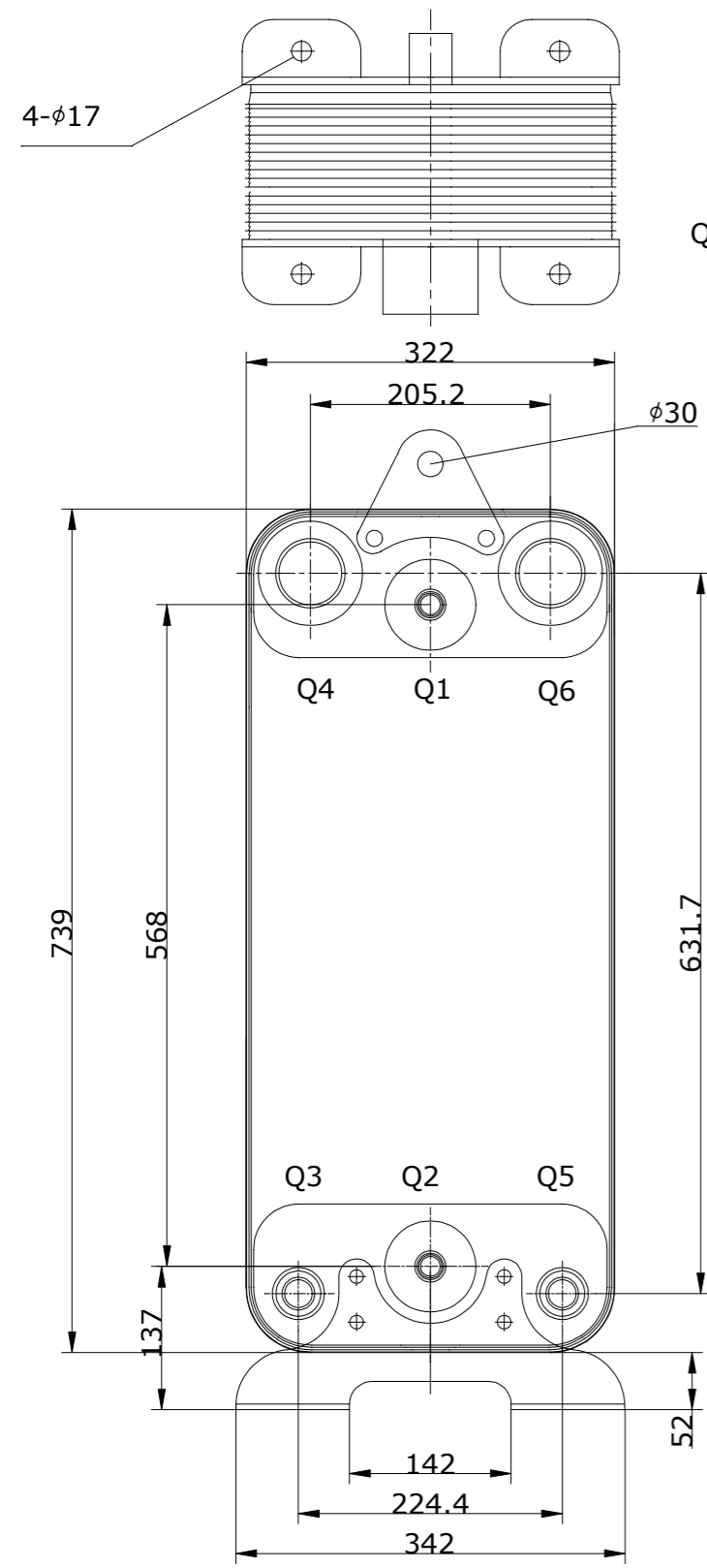


CONTROLLED



Note: Add feet

ID	RIDAN Code	Drawing No.	Model	Plates(n)	A	Weight	Volume
1	111B0378R	2306588	210	98	264	90Kg	Q1Q2H1H2:46.5L/Q3Q4Q5Q6:46L

		DESIGN DATA			
DESIGN PRESSURE		4.5MPa			
TEST PRESSURE		6.75MPa			
DESIGN TEMPERATURE		-196/+225			
LEAKAGE TEST		Helium Test			
PLATE MATERIAL		316L			
PIPE MATERIAL		304			
FRAME MATERIAL		304			
Assembly drawing	DEPARTMENT	Sales Department	DATE	SCALE	 RD-210-98-4,5-HDQ-Q1Q2 (N1/2)/Q3Q5(H1 1/8)/Q4Q6 (H2 1/8)/H1H2(T88,9)/12-M10*25
	DESIGNER	SVK	2024/11/25		
	INSPECTOR	MSD			
	APPROVAL	PVL		DRAWING NO.	