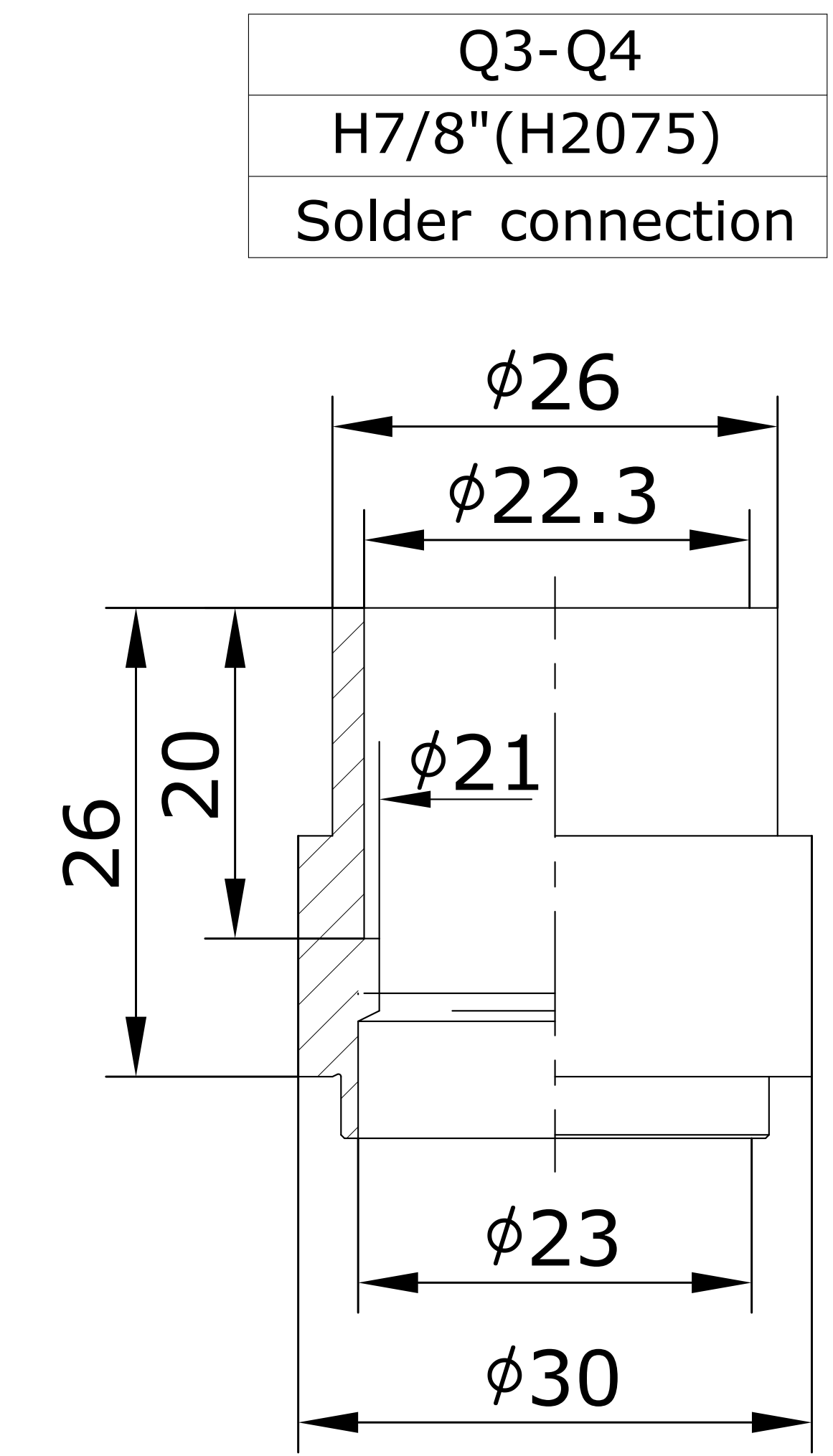
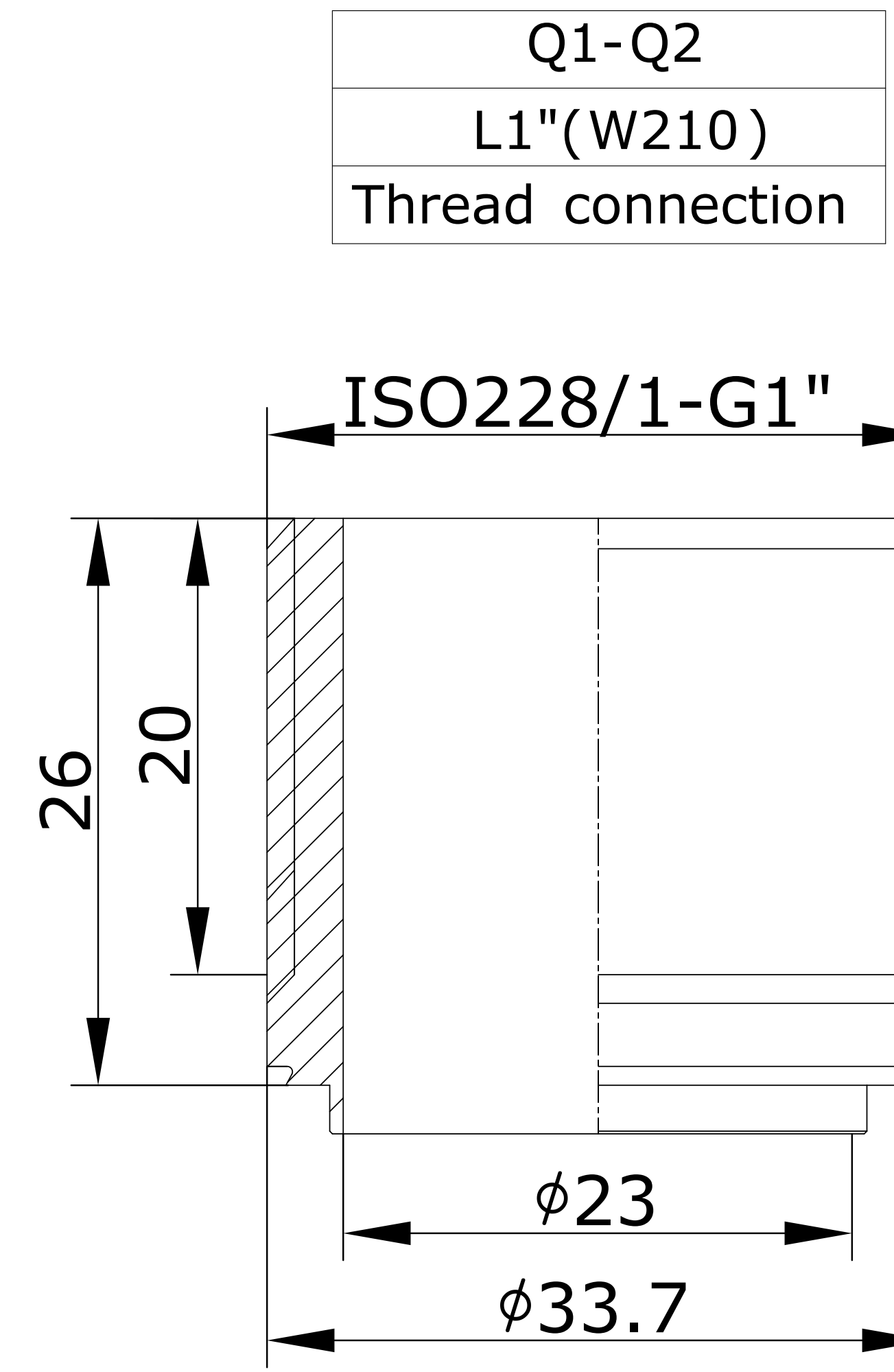
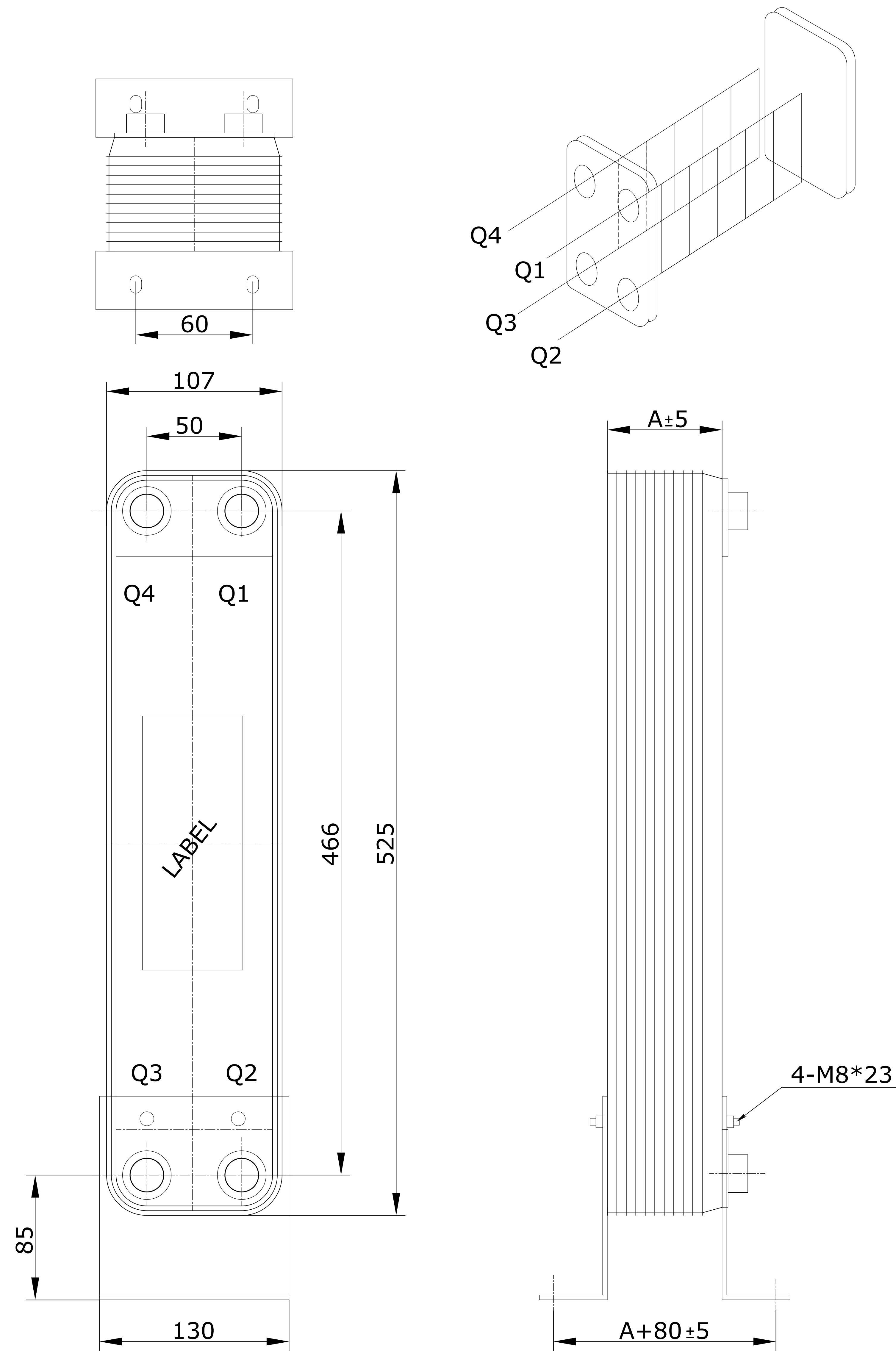

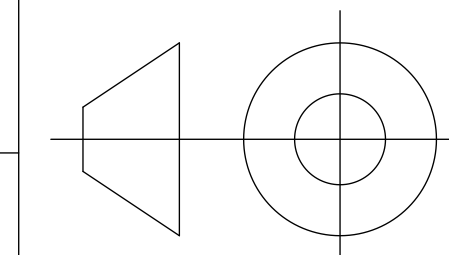


CONTROLLED



ID	RIDAN Code	Drawing No.	Model	Plates(n)	A	Weight	Volumn
1	111B0433R	23020389-01	052	10	33	5.5Kg	Q1Q2:0.485L/Q3Q4:0.388L
2	111B0434R	23020389-02	052	20	56	7.5Kg	Q1Q2:0.97L/Q3Q4:0.873L
3	111B0435R	23020389-03	052	30	79	9.5Kg	Q1Q2:1.455L/Q3Q4:1.358L
4	111B0436R	23020389-04	052	40	102	11Kg	Q1Q2:1.94L/Q3Q4:1.843L

DESIGN DATA	
DESIGN PRESSURE	4.5MPa
TEST PRESSURE	6.75MPa
DESIGN TEMPERATURE	-196/+225
LEAKAGE TEST	Helium Test
PLATE MATERIAL	316L
PIPE MATERIAL	304
FRAME MATERIAL	304

Assembly drawing	DEPARTMENT	Sales Department	DATE	SCALE	 DESIGNATION: RD-052-n-4,5-H-Q1Q2(L1")/ Q3Q4(H7/8")/4- M8*23
	DESIGNER	JLN	2024/10/17		
	INSPECTOR	ZJF			
	APPROVAL			DRAWING NO.	