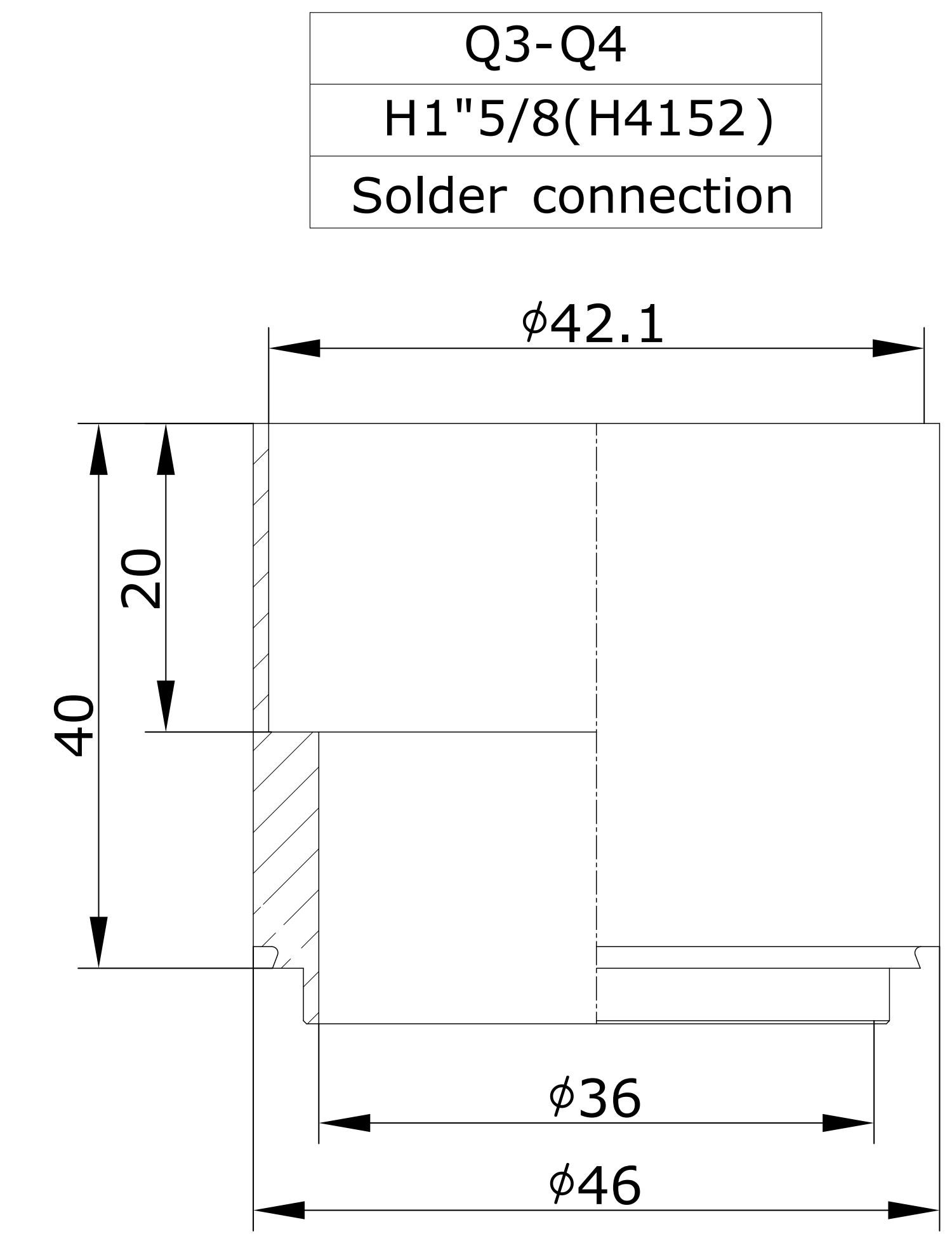
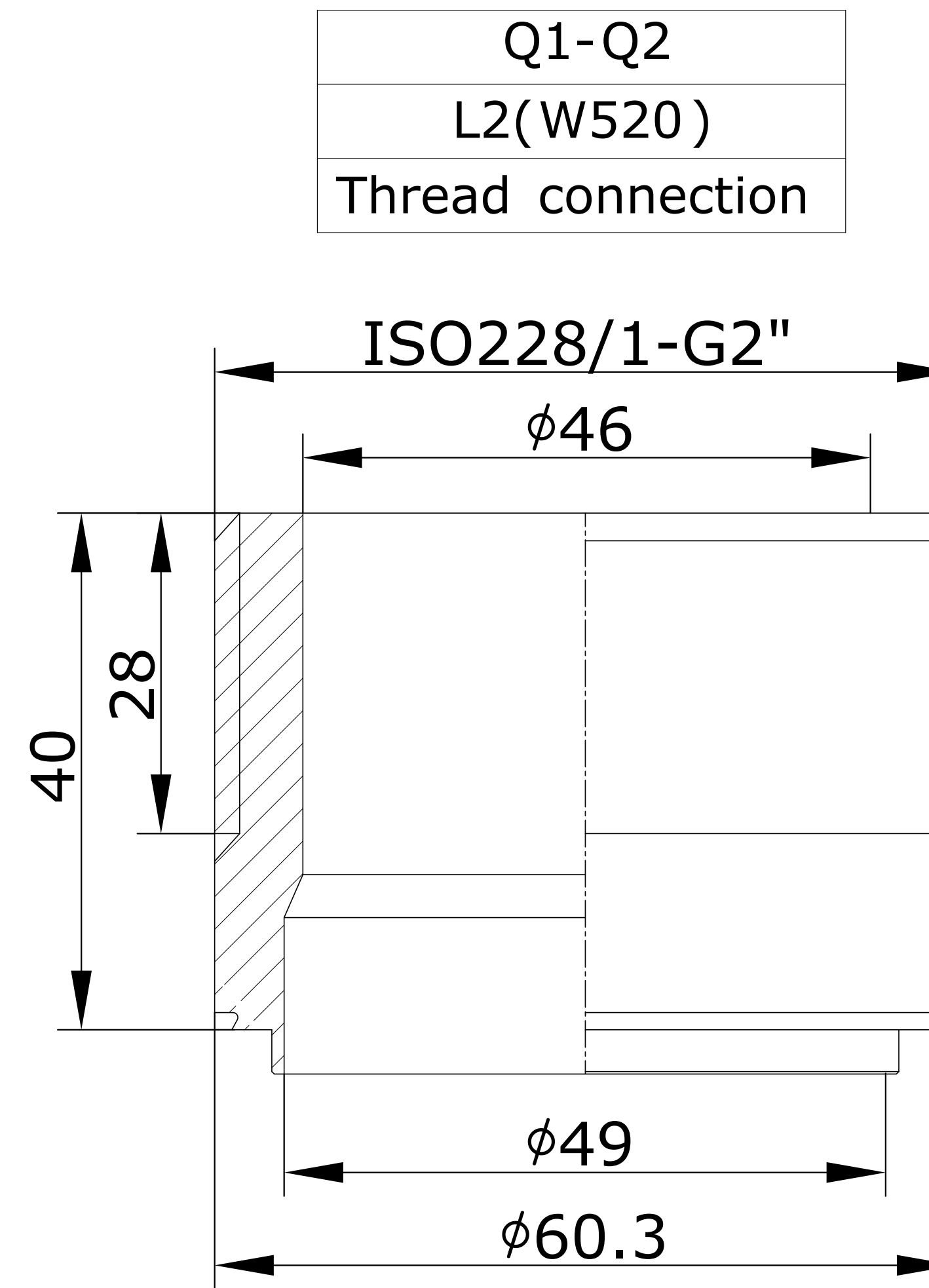
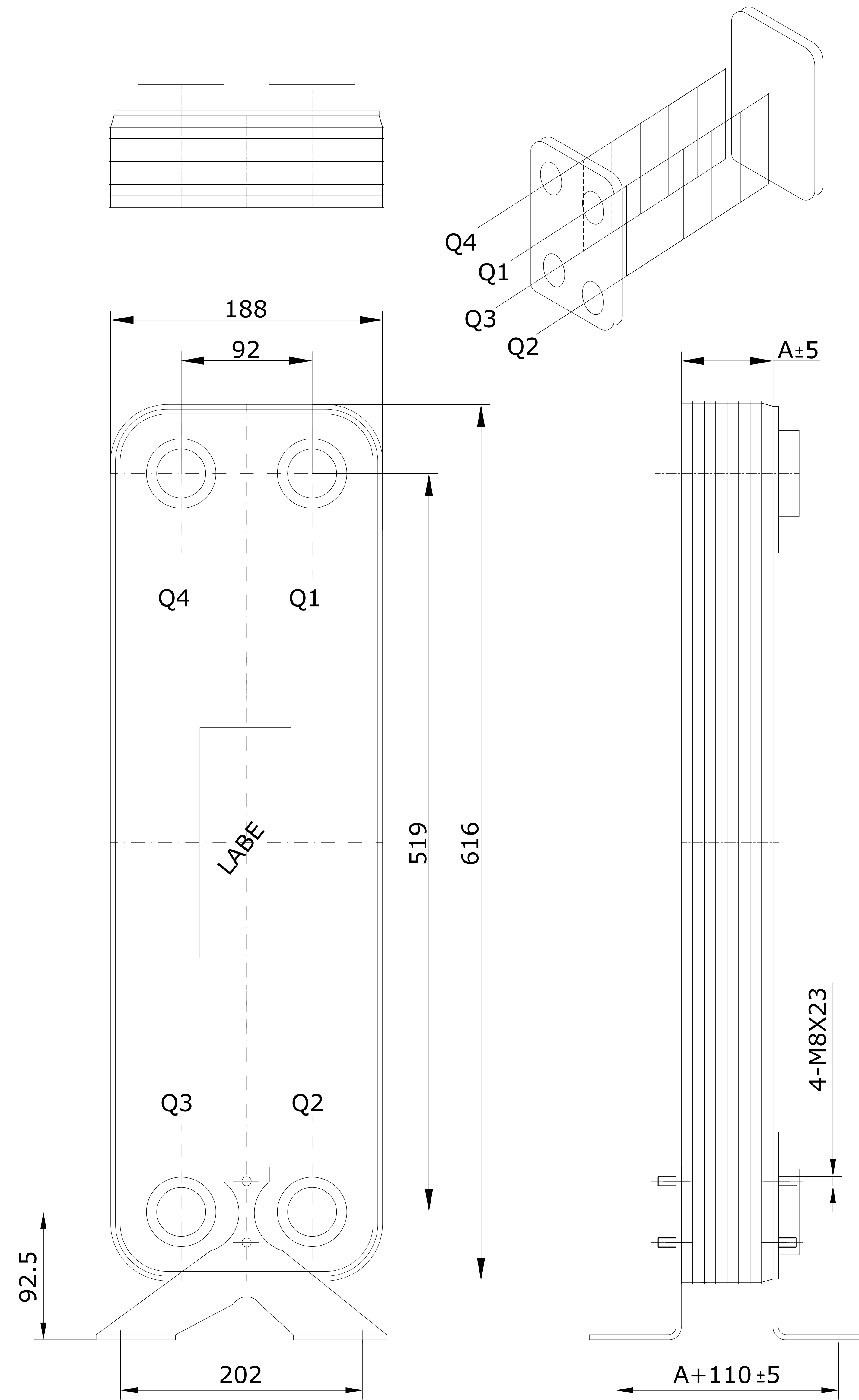


CONTROLLED



ID	RIDAN Code	Drawing No.	Model	Plates(n)	A	Weight	Volumn
1	111B0443R	23020365-01	095B	10	41	11Kg	Q1Q2:1.25L/Q3Q4:1.00L
2	111B0444R	23020365-02	095B	20	69	15Kg	Q1Q2:2.50L/Q3Q4:2.25L
3	111B0445R	23020365-03	095B	30	97	18Kg	Q1Q2:3.75L/Q3Q4:3.50L
4	111B0446R	23020365-04	095B	40	125	22Kg	Q1Q2:5.00L/Q3Q4:4.75L
5	111B0447R	23020365-05	095B	50	153	25.8Kg	Q1Q2:6.25L/Q3Q4:6.00L
6	111B0448R	23020365-06	095B	60	181	29Kg	Q1Q2:7.50L/Q3Q4:7.25L
7	111B0449R	23020365-07	095B	70	209	33Kg	Q1Q2:8.75L/Q3Q4:8.50L
8	111B0450R	23020365-08	095B	80	237	36.8Kg	Q1Q2:10.00L/Q3Q4:9.75L

DESIGN DATA	
DESIGN PRESSURE	4.5MPa
TEST PRESSURE	6.75MPa
DESIGN TEMPERATURE	-196/+225
LEAKAGE TEST	Helium Test
PLATE MATERIAL	316L
PIPE MATERIAL	304
FRAME MATERIAL	304

Assembly drawing	DEPARTMENT	Sales Department	DATE	2024/10/17	SCALE			
	DESIGNER	JLN					DESIGNATION: RD-095B-n-4,5-H-Q1Q2(L2)/Q3Q4(H1"5/8)/4- M8*23	
	INSPECTOR	ZJF						
	APPROVAL				DRAWING NO.		23020365	REV